

- ✓ High Quality
- ✓ 5-Year Warranty
- ✓ High Accuracy  $\pm 0.5^{\circ}\text{C}$  ( $0.9^{\circ}\text{F}$ ), 0.03% Reading
- ✓ User-Friendly, Simple to Configure
- ✓ Free Software
- ✓ Full Autotune PID Control
- ✓ Universal Inputs: Thermocouple, RTD, Process Voltage/Current, Strain
- ✓ Totally Programmable Color Displays, Standard
- ✓ Built-In Excitation, Standard
- ✓ 2 Control or Alarm Outputs, Choice of dc Pulse, Mechanical Relays, Analog Voltage and Current
- ✓ Front Removable

The OMEGA® DPI8/CNi8 is a 1/8 DIN size (96 x 48 mm) Digital Panel Meter featuring the big iSeries color-changing display. The digits are twice the size of typical 1/8 DIN panel meters. The iSeries meters feature the only LED displays that can be programmed to change color between **GREEN**, **AMBER**, and **RED** at any set point or alarm point.

The "DPI8/CNi8" model is available as an extremely accurate programmable digital panel meter with no outputs or with dual outputs for controlling or alarming functions. Other options include isolated programmable analog output, serial communications, MODBUS® and Ethernet. The user can easily program the DPI8/CNi8 for any control or alarming requirement from simple on-off to full autotune PID with a choice of Form C SPDT relays, Solid State Relays, DC pulse, and Analog (voltage and current) outputs.

Fully Isolated Analog Output for retransmission of the process value is available in addition to the control and alarm relays (specify model CNI8A33).

The DPI8/CNi8 covers a broad selection of transducer and transmitter inputs with two input models:

The UNIVERSAL TEMPERATURE & PROCESS instrument (model "i") handles ten common types of thermocouples, multiple RTD's, and

DPI8 Meter Starts at  
**\$240**



CNi8 Controller Starts at  
**\$310**



several Process (DC) Voltage and Current ranges.

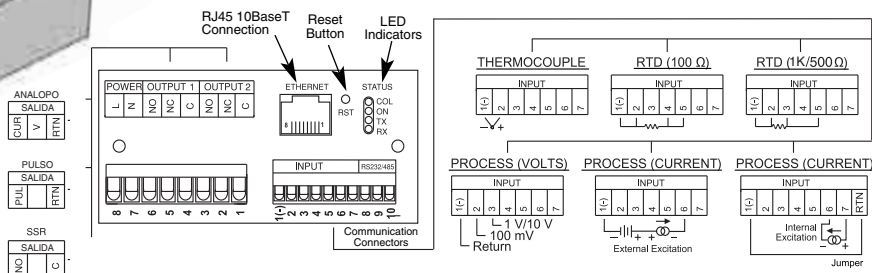
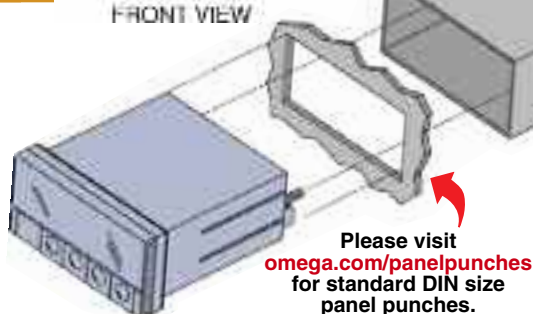
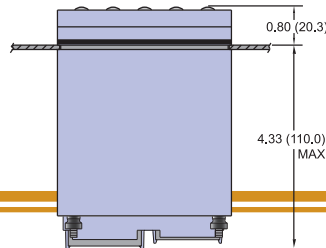
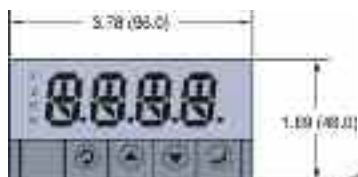
This model also features built-in excitation, 24 Vdc @ 25 mA. With its wide choice of signal inputs, this model is an excellent choice for measuring or controlling temperature with a thermocouple, RTD, or 4-20 mA transmitter.

The STRAIN & PROCESS instrument (model "iS") measures inputs from Load Cells, Pressure Transducers, and most any strain gauge sensor as well as Process Voltage and Current ranges.

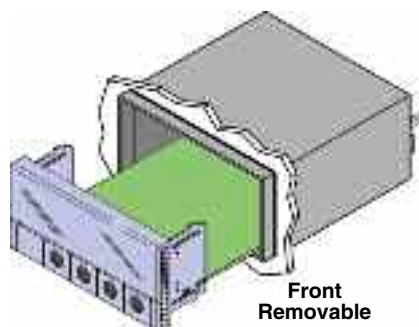
The "iS" has built-in 5 or 10 Vdc excitation for bridge transducers, 5 Vdc @ 40 mA or 10 Vdc @ 60 mA. (Any excitation voltage between 5 and 24 Vdc is available by special order). This "iS" model supports 4 and 6 wire bridge configurations, ratiometric and non-ratiometric measurements. The "iS" features fast and easy "in process" calibration/scaling of the signal inputs to any engineering units. This model also features 10 Point Linearization which allows the user to linearize the signal input from extremely nonlinear transducers of all kinds.

	Input Type	Range	Accuracy
<b>Universal Temperature / Process</b>			
<b>J</b>	Iron-Constantan	-210 to 760°C / -346 to 1400°F	0.4°C / 0.7°F
<b>K</b>	CHROMEPA®-ALOMEGA®	-270 to -160°C / -160 to 1372°C -454 to -256°F / -256 to 2502°F	1.0°C / 0.4°C 1.8°F / 0.7°F
<b>T</b>	Copper-Constantan	-270 to -190°C / -190 to 400°C -454 to -310°F / -310 to 752°F	1.0°C / 0.4°C 1.8°F / 0.7°F
<b>E</b>	CHROMEPA®-Constantan	-270 to -220°C / -220 to 1000°C -454 to -364°F / -364 to 1832°F	1.0°C / 0.4°C 1.8°F / 0.7°F
<b>R</b>	Pt/13%Rh-Pt	-50 to 40°C / 40 to 1768°C -58 to 104°F / 104 to 3214°F	1.0°C / 0.5°C 1.8°F / 0.9°F
<b>S</b>	Pt/10%Rh-Pt	-50 to 100°C / 100 to 1768°C -58 to 212°F / 212 to 3214°F	1.0°C / 0.5°C 1.8°F / 0.9°F
<b>B</b>	30%Rh-Pt/6%Rh-Pt	100 to 640°C / 640 to 1820°C 212 to 1184°F / 1184 to 3308°F	1.0°C / 0.5°C 1.8°F / 0.9°F
<b>C</b>	5%Re-W/26%Re-W	0 to 2320°C / 32 to 4208°F	0.4°C / 0.7°F
<b>N</b>	Nicrosil-Nisil	-250 to -100°C / -100 to 1300°C -418 to -148°F / -148 to 2372°F	1.0°C / 0.4°C 1.8°F / 0.7°F
<b>L</b>	J DIN	-200 to 900°C / -328 to 1652°F	0.4°C / 0.7°F
<b>RTD</b>	Pt, 0.00385, 100, 500, 1000 Ω	-200 to 900°C / -328 to 1652°F	0.4°C / 0.7°F
<b>RTD</b>	Pt, 0.00392, 100, 500, 1000 Ω	-200 to 850°C / -328 to 1562°F	0.4°C / 0.7°F
<b>Nickel RTD Input (FS required)</b>			
<b>RTD-1N</b>	Nickel MIL-T-7990B	0 to 200°C / 32 to 392°F	0.1°C / 0.2°F
<b>RTD-2N</b>	Nickel MIL-T-7990B	-40 to 300°C / -40 to 572°F	0.3°C / 0.5°F

Dimensions: in (mm)



**AVAILABLE FOR FAST DELIVERY!**



### To Order (\*Specify Model Number)

MODEL NO.	DESCRIPTION	PRICE
DPI8	Temperature/Process (Monitor only) 1/8 DIN	\$240
DPI8A	Temperature/Process Monitor with Isolated Analog Output 1/8 DIN *1	295
DPI8S	Strain/Process (Monitor only) 1/8 DIN	275

### CONTROL OUTPUTS #1 & 2 Direct (Cool) or Reverse (Heat) Acting

CNi8	(*)	(*)	Temperature/Process with 2 Control Outputs	\$310
CNi8A	(*)	(*)	Temperature/Process with Isolated Analog Output and 2 Outputs*1,*4	365
CNi8S	(*)	(*)	Strain/Process with 2 Control Outputs	370
	2	2	Two solid state relays (SSR's): 0.5 A @ 120/240 Vac continuous	N/C
	2	3	SSR and relay: Form "C" SPDT 3 A @ 120 Vac, 3 A @ 240 Vac	
	2	4	SSR and pulsed 10 Vdc @ 20 mA (for use with external SSR)	
	3	3	2 Relays: Form "C" SPDT 3 A @ 120 Vac, 3 A @ 240 Vac	
	4	2	Pulsed 10 Vdc @ 20 mA (for use with external SSR) and SSR	
	4	3	Pulsed 10 Vdc @ 20 mA (for use with external SSR) and relay: Form "C" SPDT 3 A @ 120 Vac, 3 A @ 240 Vac	
	4	4	Two pulsed 10 Vdc @ 20 mA (for use with external SSR)	
	5	2	Analog Output selectable as either control or retransmission of process value; 0 to 10 Vdc or 0-20 mA @ 500 ohm max. and SSR	
	5	3	Analog Output 0 to 10 Vdc or 0-20 mA @ 500 ohm max. and Relay	
	5	4	Analog Output 0 to 10 Vdc or 0-20 mA @ 500 ohm max. and Pulse 10 Vdc	
			-AL Limit Alarm Version (Alarm Menu, No PID Control)*3, *4	
			-SM Simplified Menu Version (ON/OFF Control, No PID)*5	

### NETWORK OPTIONS (One Option Max.)

OPTION	DESCRIPTION	PRICE
-EI	Ethernet with Embedded Internet	\$55
-C24	Isolated RS232 and RS485 300 to 19.2 k baud *2	60
-C4EI	Ethernet with Embedded Web Server + Isolated RS485/422 hub for up to 31 devices*1	115

### POWER SUPPLY (Select One)

*	Standard power input: 90 to 240 Vac/dc, 50-400 Hz (no entry required)	N/C
-DC	12 to 36 Vdc (for CN/DPI8), 20 to 36 Vdc (for CN/DPI8A), 24 Vac*2	\$25

### FACTORY SETUP (Requires Network Option)

-FS	Factory Setup and Configuration	N/C
-FS(RTD-1N)	Factory Scaled for MIL-T-7990B Nickel RTD input (0 to 200°C)	N/C
-FS(RTD-2N)	Factory Scaled for MIL-T-7990B Nickel RTD input (-40 to 300°C)	N/C

### SOFTWARE (Requires Network Option)

OPC-SERVER LICENSE	OPC Server/Driver Software License	\$295
--------------------	------------------------------------	-------

\*1 Analog Output (Option 5) and Ethernet Options are not available for the CN/DPI8A.  
 \*2 -DC, -C24, or -C4EI not available with excitation.  
 \*3 Analog Output (Option 5) is not available with -AL units.  
 \*4 For CNi8A0\*-AL: One Analog Retransmission and One Alarm (Output 1 is not available).  
 \*5 Strain CN/DPI8S and/or Isolated Analog Output CN/DPI8A are not available with -SM units.  
**Ordering Examples:** DPI8A 1/8 DIN Meter with isolated scalable analog retransmission of the process value \$295; CNi833-AL-C24 1/8 DIN Indicator and Dual Alarm only with serial communication \$370.  
 CNi833-C24-FS(RTD-1N) 1/8 DIN Controller with 2 relay outputs, serial communication and is factory scaled for MIL Standard MIL-T-7990B Nickel RTD input \$430.

## iSeries change color



### Totally Programmable Color Displays

The OMEGA® i/8, i/16, and i/32 are the first complete series of 1/8, 1/16 and 1/32 DIN process control instruments with totally programmable color displays. The display can be programmed to change color at any setpoint or alarm point.





#### UNITED STATES

[www.omega.com](http://www.omega.com)  
1-800-TC-OMEGA  
Stamford, CT.

#### CANADA

[www.omega.ca](http://www.omega.ca)  
Laval(Quebec)  
1-800-TC-OMEGA

#### GERMANY

[www.omega.de](http://www.omega.de)  
Deckenpfronn, Germany  
0800-8266342

#### UNITED KINGDOM

[www.omega.co.uk](http://www.omega.co.uk)  
Manchester, England  
0800-488-488

#### FRANCE

[www.omega.fr](http://www.omega.fr)  
Guyancourt, France  
088-466-342

#### CZECH REPUBLIC

[www.omegaeng.cz](http://www.omegaeng.cz)  
Karviná, Czech Republic  
596-311-899

#### BENELUX

[www.omega.nl](http://www.omega.nl)  
Amstelveen, NL  
0800-099-33-44



## More than 100,000 Products Available!

### • Temperature

Calibrators, Connectors, General Test and Measurement Instruments, Glass Bulb Thermometers, Handheld Instruments for Temperature Measurement, Ice Point References, Indicating Labels, Crayons, Cements and Lacquers, Infrared Temperature Measurement Instruments, Recorders Relative Humidity Measurement Instruments, RTD Probes, Elements and Assemblies, Temperature & Process Meters, Timers and Counters, Temperature and Process Controllers and Power Switching Devices, Thermistor Elements, Probes and Assemblies, Thermocouples Thermowells and Head and Well Assemblies, Transmitters, Wire

### • Flow and Level

Air Velocity Indicators, Doppler Flowmeters, Level Measurement, Magnetic Flowmeters, Mass Flowmeters, Pitot Tubes, Pumps, Rotameters, Turbine and Paddle Wheel Flowmeters, Ultrasonic Flowmeters, Valves, Variable Area Flowmeters, Vortex Shedding Flowmeters

### • pH and Conductivity

Conductivity Instrumentation, Dissolved Oxygen Instrumentation, Environmental Instrumentation, pH Electrodes and Instruments, Water and Soil Analysis Instrumentation

### • Data Acquisition

Auto-Dialers and Alarm Monitoring Systems, Communication Products and Converters, Data Acquisition and Analysis Software, Data Loggers Plug-in Cards, Signal Conditioners, USB, RS232, RS485 and Parallel Port Data Acquisition Systems, Wireless Transmitters and Receivers

### • Pressure, Strain and Force

Displacement Transducers, Dynamic Measurement Force Sensors, Instrumentation for Pressure and Strain Measurements, Load Cells, Pressure Gauges, Pressure Reference Section, Pressure Switches, Pressure Transducers, Proximity Transducers, Regulators, Strain Gages, Torque Transducers, Valves

### • Heaters

Band Heaters, Cartridge Heaters, Circulation Heaters, Comfort Heaters, Controllers, Meters and Switching Devices, Flexible Heaters, General Test and Measurement Instruments, Heater Hook-up Wire, Heating Cable Systems, Immersion Heaters, Process Air and Duct, Heaters, Radiant Heaters, Strip Heaters, Tubular Heaters