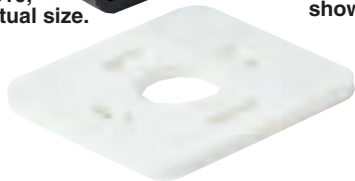


DIN STYLE CONNECTORS FOR TRANSDUCERS



CX5301, \$10, shown actual size.



CX5300, \$10, shown actual size.



CX5302, \$10, shown actual size.

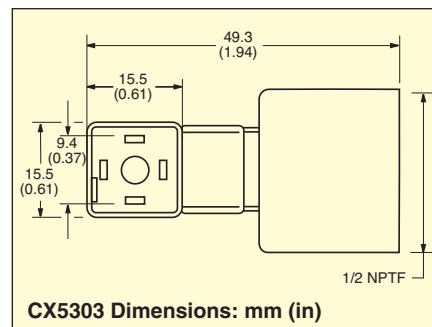
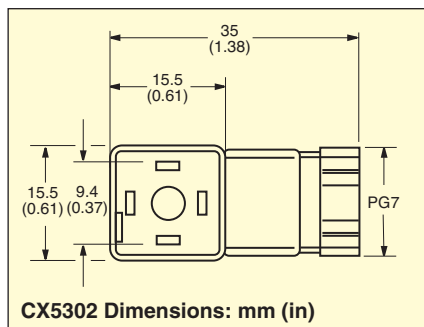
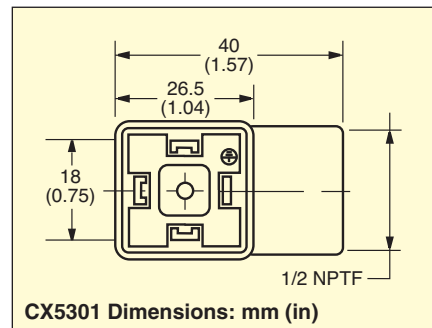
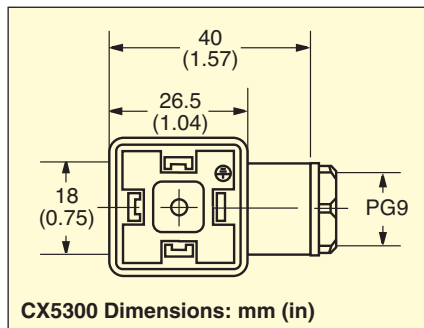


CX5300 Series
Starts at
\$10



- ✔ Use Where Service and Rapid Installation are Necessary
- ✔ Made According to DIN 43650/ISO 4400 Standards
- ✔ Strain-Relief Gland or Conduit-Fitting Design

The CX5300 Series connectors are made according to DIN 43650/ISO 4400 standards. They are used as protective electrical enclosures for electrical connections, primarily on pressure transducers and solenoid valves.



MOST POPULAR MODELS HIGHLIGHTED!

| To Order (Specify Model Number) | | |
|--|-------|---|
| MODEL NO. | PRICE | SIZE/DESCRIPTION |
| CX5300 | \$10 | DIN 43650 A connector, 4 contacts (one is a GND) on 18 mm spacing with a PG9 gland |
| CX5301 | 10 | DIN 43650 A connector, 4 contacts (one is a GND) on 18 mm spacing with a 1/2" conduit fitting |
| CX5302 | 15 | Micro mini DIN connector, 4 contacts on 9.4 mm spacing with a PG7 gland |
| CX5303 | 25 | Micro mini DIN connector, 4 contacts on 9.4 mm spacing with a 1/2" conduit fitting |

Ordering Example: CX5300, DIN style connector with 4 contacts plus ground terminal and PG9 cable gland, \$10.



UNITED STATES

www.omega.com
1-800-TC-OMEGA
Stamford, CT.

CANADA

www.omega.ca
Laval(Quebec)
1-800-TC-OMEGA

GERMANY

www.omega.de
Deckenpfronn, Germany
0800-8266342

UNITED KINGDOM

www.omega.co.uk
Manchester, England
0800-488-488

FRANCE

www.omega.fr
Guyancourt, France
088-466-342

CZECH REPUBLIC

www.omegaeng.cz
Karviná, Czech Republic
596-311-899

BENELUX

www.omega.nl
Amstelveen, NL
0800-099-33-44



More than 100,000 Products Available!

• Temperature

Calibrators, Connectors, General Test and Measurement Instruments, Glass Bulb Thermometers, Handheld Instruments for Temperature Measurement, Ice Point References, Indicating Labels, Crayons, Cements and Lacquers, Infrared Temperature Measurement Instruments, Recorders Relative Humidity Measurement Instruments, RTD Probes, Elements and Assemblies, Temperature & Process Meters, Timers and Counters, Temperature and Process Controllers and Power Switching Devices, Thermistor Elements, Probes and Assemblies, Thermocouples Thermowells and Head and Well Assemblies, Transmitters, Wire

• Flow and Level

Air Velocity Indicators, Doppler Flowmeters, Level Measurement, Magnetic Flowmeters, Mass Flowmeters, Pitot Tubes, Pumps, Rotameters, Turbine and Paddle Wheel Flowmeters, Ultrasonic Flowmeters, Valves, Variable Area Flowmeters, Vortex Shedding Flowmeters

• pH and Conductivity

Conductivity Instrumentation, Dissolved Oxygen Instrumentation, Environmental Instrumentation, pH Electrodes and Instruments, Water and Soil Analysis Instrumentation

• Data Acquisition

Auto-Dialers and Alarm Monitoring Systems, Communication Products and Converters, Data Acquisition and Analysis Software, Data Loggers Plug-in Cards, Signal Conditioners, USB, RS232, RS485 and Parallel Port Data Acquisition Systems, Wireless Transmitters and Receivers

• Pressure, Strain and Force

Displacement Transducers, Dynamic Measurement Force Sensors, Instrumentation for Pressure and Strain Measurements, Load Cells, Pressure Gauges, Pressure Reference Section, Pressure Switches, Pressure Transducers, Proximity Transducers, Regulators, Strain Gages, Torque Transducers, Valves

• Heaters

Band Heaters, Cartridge Heaters, Circulation Heaters, Comfort Heaters, Controllers, Meters and Switching Devices, Flexible Heaters, General Test and Measurement Instruments, Heater Hook-up Wire, Heating Cable Systems, Immersion Heaters, Process Air and Duct, Heaters, Radiant Heaters, Strip Heaters, Tubular Heaters