

# PRESSURE COMPENSATION DEVICE



**DA084 Series**  
**\$6**  
 All Models



DA08408400900, \$6, shown smaller than actual size.



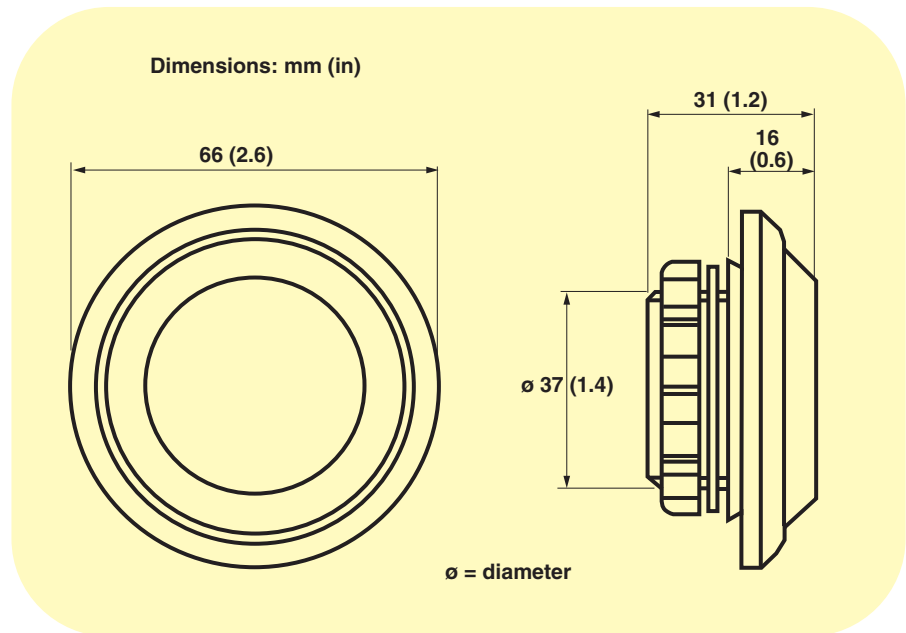
- High Degree of Protection
- Easy to Install

It has become more and more important to provide a protected enclosure environment for valuable and crucial electrical and electronic components. In a tightly closed enclosure, pressure differentials can occur during extreme temperature variations, such as day/night operation. When this occurs, the risk of dust and humidity being absorbed into the control panel increases dramatically. The specially designed pressure compensation plug DA084 permits a controlled change in pressure. It can be installed easily in any enclosure. Because of the pressure compensation plug's high degree of protection, the protection type of the enclosure will not be affected.

## SPECIFICATIONS

**Mounting:** PG 29 thread with union nut  
**Material:** Plastic according to UL94 V-0  
**Air Interface:** Approx. 7 cm<sup>2</sup> (2.8 in<sup>2</sup>)  
**Dimensions:** Ø 66 x 31 mm (2.6 x 1.2")  
**Fitting Position:** Variable  
**Operating/Storage Temperature:** -45 to 70°C (-49 to 158°F)

**Installation:** Make cut-out Ø 37 + 1 mm (1.5 + 0.03") in enclosure wall and mount pressure compensation device with nut. Please make sure that the sealing gasket is put in place on the outer side panel of the enclosure. For optimal pressure compensation we recommend to use two devices on opposite sides towards the top of the enclosure.



### To Order (Specify Model Number)

### AVAILABLE FOR FAST DELIVERY!

MODEL NO.	PRICE	DESCRIPTION	PROTECTION TYPE	1 PACKING UNIT	WEIGHT
DA08408400900	\$6	Pressure compensation device	IP45	2 pieces	62 g (0.14 lb) (31 g/piece)
DA08408400901	7	Pressure compensation device with gasket	IP55	2 pieces	62 g (0.14 lb) (31 g/piece)

Comes complete with operator's manual.

Ordering Example: DA08408400900, pressure compensation device, \$6.



#### UNITED STATES

[www.omega.com](http://www.omega.com)  
1-800-TC-OMEGA  
Stamford, CT.

#### CANADA

[www.omega.ca](http://www.omega.ca)  
Laval(Quebec)  
1-800-TC-OMEGA

#### GERMANY

[www.omega.de](http://www.omega.de)  
Deckenpfronn, Germany  
0800-8266342

#### UNITED KINGDOM

[www.omega.co.uk](http://www.omega.co.uk)  
Manchester, England  
0800-488-488

#### FRANCE

[www.omega.fr](http://www.omega.fr)  
Guyancourt, France  
088-466-342

#### CZECH REPUBLIC

[www.omegaeng.cz](http://www.omegaeng.cz)  
Karviná, Czech Republic  
596-311-899

#### BENELUX

[www.omega.nl](http://www.omega.nl)  
Amstelveen, NL  
0800-099-33-44



## More than 100,000 Products Available!

### • Temperature

Calibrators, Connectors, General Test and Measurement Instruments, Glass Bulb Thermometers, Handheld Instruments for Temperature Measurement, Ice Point References, Indicating Labels, Crayons, Cements and Lacquers, Infrared Temperature Measurement Instruments, Recorders Relative Humidity Measurement Instruments, RTD Probes, Elements and Assemblies, Temperature & Process Meters, Timers and Counters, Temperature and Process Controllers and Power Switching Devices, Thermistor Elements, Probes and Assemblies, Thermocouples Thermowells and Head and Well Assemblies, Transmitters, Wire

### • Flow and Level

Air Velocity Indicators, Doppler Flowmeters, Level Measurement, Magnetic Flowmeters, Mass Flowmeters, Pitot Tubes, Pumps, Rotameters, Turbine and Paddle Wheel Flowmeters, Ultrasonic Flowmeters, Valves, Variable Area Flowmeters, Vortex Shedding Flowmeters

### • pH and Conductivity

Conductivity Instrumentation, Dissolved Oxygen Instrumentation, Environmental Instrumentation, pH Electrodes and Instruments, Water and Soil Analysis Instrumentation

### • Data Acquisition

Auto-Dialers and Alarm Monitoring Systems, Communication Products and Converters, Data Acquisition and Analysis Software, Data Loggers Plug-in Cards, Signal Conditioners, USB, RS232, RS485 and Parallel Port Data Acquisition Systems, Wireless Transmitters and Receivers

### • Pressure, Strain and Force

Displacement Transducers, Dynamic Measurement Force Sensors, Instrumentation for Pressure and Strain Measurements, Load Cells, Pressure Gauges, Pressure Reference Section, Pressure Switches, Pressure Transducers, Proximity Transducers, Regulators, Strain Gages, Torque Transducers, Valves

### • Heaters

Band Heaters, Cartridge Heaters, Circulation Heaters, Comfort Heaters, Controllers, Meters and Switching Devices, Flexible Heaters, General Test and Measurement Instruments, Heater Hook-up Wire, Heating Cable Systems, Immersion Heaters, Process Air and Duct, Heaters, Radiant Heaters, Strip Heaters, Tubular Heaters