

# SUMMING BOX FOR MULTIPLE LOAD CELLS

## SUMS 2, 3, OR 4 LOAD CELLS

**JBOX-4-ET**



All Models  
**\$295**

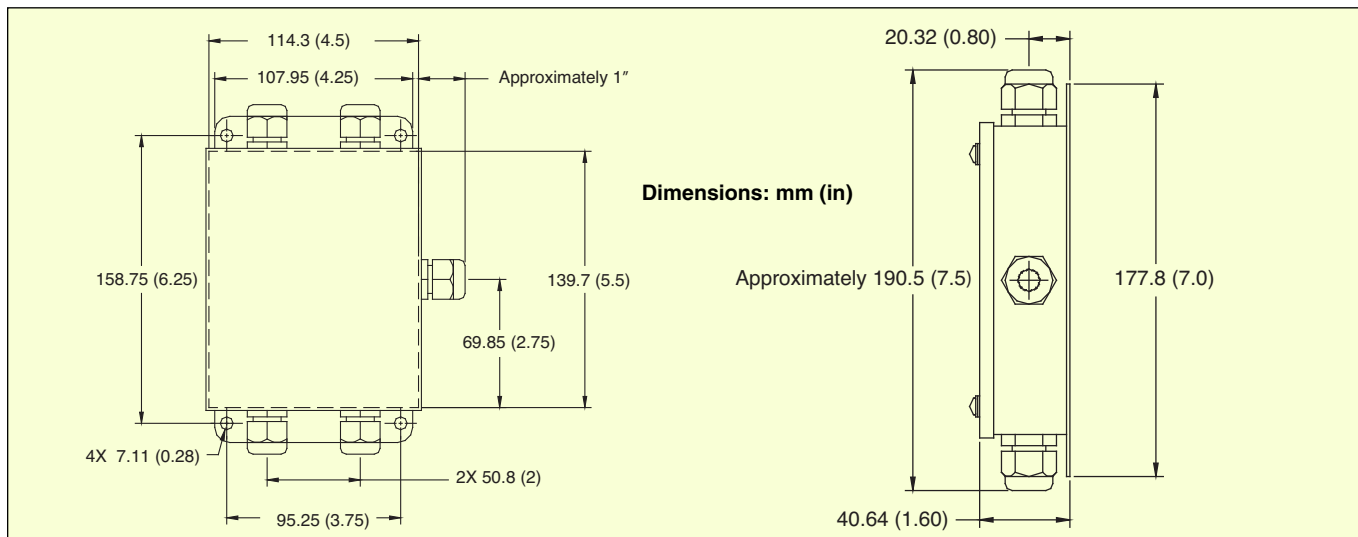
**Heavy-Duty  
Stainless  
Steel**

- ✓ Heavy-Duty Stainless Steel
- ✓ Sealed, Gasketed Enclosure
- ✓ Excitation Trim for Easy Setup

A load cell summing box (also known as a J-box) accepts inputs from multiple load cells and combines their outputs into one output that represents the total load. All load cells should have the same capacity and outputs within 3.2% of each other. For larger variances, resistors must be added. Load cells that are trimmed to 0.25% interchangeability or that have output tolerances of less than  $\pm 3.2\%$  will work without additional resistors.

See Section Y for a Selection of Scientific, Technical, and Reference Books Available from [omega.com](http://omega.com)

JBOX-4-ET, \$295, shown smaller than actual size.



**AVAILABLE FOR FAST DELIVERY!**

### To Order (Specify Model Number)

MODEL NO.	PRICE	DESCRIPTION
JBOX4-ET	\$295	Excitation trim; sums 2, 3 or 4 load cells
JBOX4-ST	295	Signal trim; sums 2, 3 or 4 load cells

Ordering Example: JBOX4-ET, excitation-trim stainless steel summing box for 2, 3 or 4 load cells, \$295.



#### UNITED STATES

[www.omega.com](http://www.omega.com)  
1-800-TC-OMEGA  
Stamford, CT.

#### CANADA

[www.omega.ca](http://www.omega.ca)  
Laval(Quebec)  
1-800-TC-OMEGA

#### GERMANY

[www.omega.de](http://www.omega.de)  
Deckenpfronn, Germany  
0800-8266342

#### UNITED KINGDOM

[www.omega.co.uk](http://www.omega.co.uk)  
Manchester, England  
0800-488-488

#### FRANCE

[www.omega.fr](http://www.omega.fr)  
Guyancourt, France  
088-466-342

#### CZECH REPUBLIC

[www.omegaeng.cz](http://www.omegaeng.cz)  
Karviná, Czech Republic  
596-311-899

#### BENELUX

[www.omega.nl](http://www.omega.nl)  
Amstelveen, NL  
0800-099-33-44



## More than 100,000 Products Available!

### • Temperature

Calibrators, Connectors, General Test and Measurement Instruments, Glass Bulb Thermometers, Handheld Instruments for Temperature Measurement, Ice Point References, Indicating Labels, Crayons, Cements and Lacquers, Infrared Temperature Measurement Instruments, Recorders Relative Humidity Measurement Instruments, RTD Probes, Elements and Assemblies, Temperature & Process Meters, Timers and Counters, Temperature and Process Controllers and Power Switching Devices, Thermistor Elements, Probes and Assemblies, Thermocouples Thermowells and Head and Well Assemblies, Transmitters, Wire

### • Flow and Level

Air Velocity Indicators, Doppler Flowmeters, Level Measurement, Magnetic Flowmeters, Mass Flowmeters, Pitot Tubes, Pumps, Rotameters, Turbine and Paddle Wheel Flowmeters, Ultrasonic Flowmeters, Valves, Variable Area Flowmeters, Vortex Shedding Flowmeters

### • pH and Conductivity

Conductivity Instrumentation, Dissolved Oxygen Instrumentation, Environmental Instrumentation, pH Electrodes and Instruments, Water and Soil Analysis Instrumentation

### • Data Acquisition

Auto-Dialers and Alarm Monitoring Systems, Communication Products and Converters, Data Acquisition and Analysis Software, Data Loggers Plug-in Cards, Signal Conditioners, USB, RS232, RS485 and Parallel Port Data Acquisition Systems, Wireless Transmitters and Receivers

### • Pressure, Strain and Force

Displacement Transducers, Dynamic Measurement Force Sensors, Instrumentation for Pressure and Strain Measurements, Load Cells, Pressure Gauges, Pressure Reference Section, Pressure Switches, Pressure Transducers, Proximity Transducers, Regulators, Strain Gages, Torque Transducers, Valves

### • Heaters

Band Heaters, Cartridge Heaters, Circulation Heaters, Comfort Heaters, Controllers, Meters and Switching Devices, Flexible Heaters, General Test and Measurement Instruments, Heater Hook-up Wire, Heating Cable Systems, Immersion Heaters, Process Air and Duct, Heaters, Radiant Heaters, Strip Heaters, Tubular Heaters