

ALL STAINLESS STEEL "S" BEAM LOAD CELLS

HIGH ACCURACY, ECONOMICAL PRICE

STANDARD AND METRIC MODELS

LC101/LCM101 Series
LC111/LCM111 Series
 Tension/Compression
 0-25 lb to 0-40,000 lb
 0-10 kgf to 0-10,000 kgf

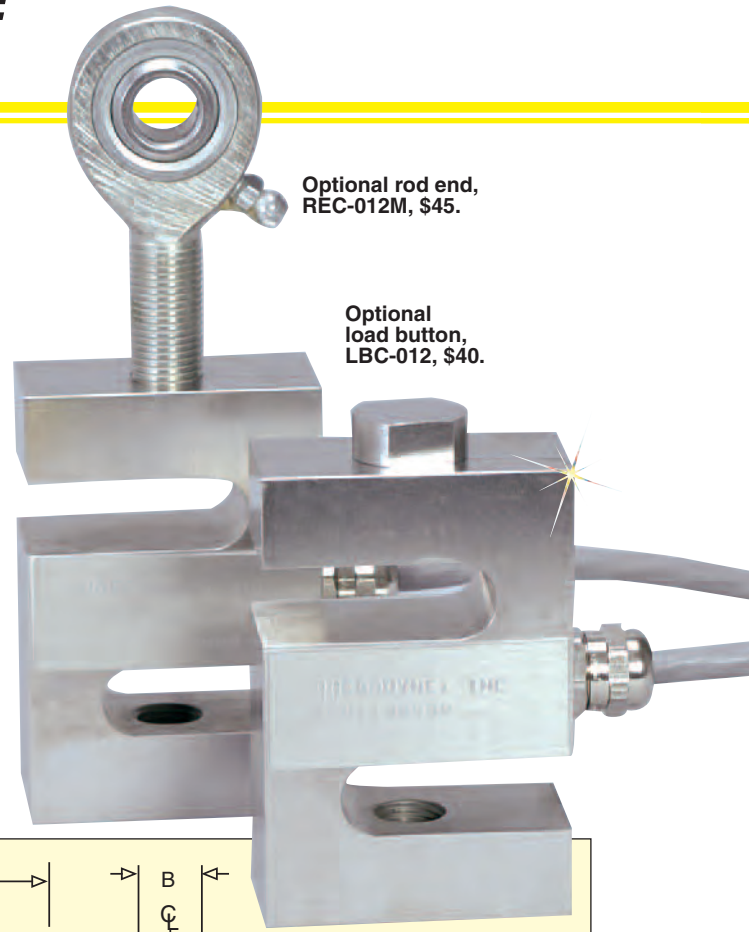
Starts at
\$305



- ✓ FM Intrinsically Safe
- ✓ All Stainless Steel for Harsh Industrial Applications
- ✓ 0.25% Interchangeability for Multiple Load Cell Applications
- ✓ 5-Point Calibration Provided (in Tension)

SPECIFICATIONS

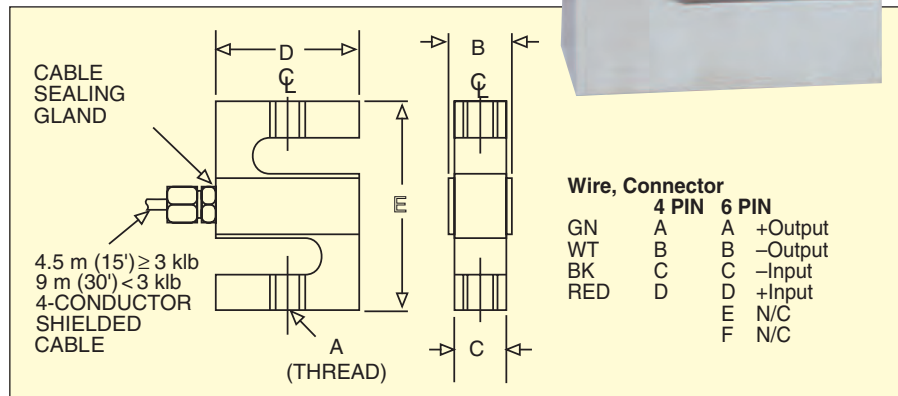
Excitation: 10 Vdc, 15 Vdc max
Output: 3 mV/V ± 0.0075 mV/V
Linearity: $\pm 0.03\%$ FSO (0.1% 40 K)
Hysteresis: $\pm 0.02\%$ FSO (0.1% 40 K)
Repeatability: $\pm 0.01\%$ FSO (0.05% 40 K)
Zero Balance: $\pm 1\%$ FSO
Agency Approval: FM Intrinsically Safe IS/I.II.III/1/CDEFG (standard)
Operating Temp Range: -40 to 93°C (-40 to 200°F)
Compensated Temp Range: 17 to 71°C (60 to 160°F)
Thermal Effects:
 Zero: 0.002% FSO/°C
 Span: 0.002% FSO/°C
Safe Overload: 150% of capacity
Ultimate Overload: 300% of capacity
Input Resistance: 350 ± 10 Ω
Output Resistance: 350 ± 10 Ω
Full Scale Deflection: 0.010 to 0.020"
Construction: 17-4 PH stainless steel



Optional rod end, REC-012M, \$45.

Optional load button, LBC-012, \$40.

STANDARD
 LC101-2K, \$305, shown slightly smaller than actual size.



Electrical (LC101/LCM101) (4-Conductor Shielded Cable):
<100 kgf/250 lb: 9 m (30') 24 AWG
250 to 1000 kgf/250 to 2000 lb: 9 m (30') 20 AWG
 ≥ 1500 kgf/3000 lb: 4.5 m (15') 20 AWG

Mating Connector (LC111/LCM111):
 ≤ 100 kgf/200 lb: PT06F8-4S, sold separately
 ≥ 250 kgf/250 lb: PT06F10-6S, sold separately

Dimensions: mm (in)

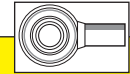
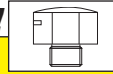
CAPACITY	A	B	C	D	E	WEIGHT kg (lb)
lb						
25 to 200	1/4-28	19 (0.75)	13 (0.50)	38 (1.5)	64 (2.5)	0.45 (1.0)
250 to 2.5K	1/2-20	32 (1.25)	25 (1.0)	51 (2.0)	76 (3.0)	1.1 (2.5)
3K to 5K	5/8-18	32 (1.25)	25 (1.0)	51 (2.5)	89 (3.5)	1.6 (3.5)
10K to 20K	1-14	44 (1.75)	38 (1.5)	76 (3.0)	108 (4.3)	2.0 (4.5)
25K to 30K	1-14	57 (2.25)	51 (2.0)	102 (4.0)	108 (4.3)	4 (9)
40K	1 1/4-12	83 (3.25)	76 (3.0)	102 (4.0)	140 (5.5)	6 (13)
kgf						
10 to 100	M6 x 1.00	19 (0.75)	13 (0.50)	38 (1.5)	64 (2.5)	0.45 (1.0)
250 to 1000	M12 x 1.75	32 (1.25)	25 (1.0)	51 (2.0)	76 (3.0)	1.1 (2.5)
1500 to 2000	M16 x 2.0	32 (1.25)	25 (1.0)	51 (2.5)	89 (3.5)	1.6 (3.5)
5K to 10K	M24 x 2.00	44 (1.75)	38 (1.5)	76 (3.0)	108 (4.3)	2.0 (4.5)

ALL STAINLESS STEEL "S" BEAM LOAD CELLS

HIGH ACCURACY, ECONOMICAL PRICE

STANDARD AND METRIC MODELS

MOST POPULAR MODELS HIGHLIGHTED!



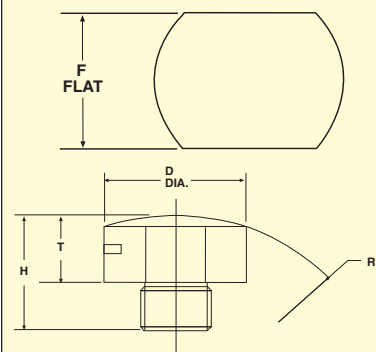
STANDARD LOAD BUTTONS

MODEL	PRICE	THREAD
LBC-014	\$40	¼-28
LBC-012	40	½-20
LBC-058	45	¾-18
LBC-100	55	1-14
LBC-114	60	1¼-12

METRIC LOAD BUTTONS

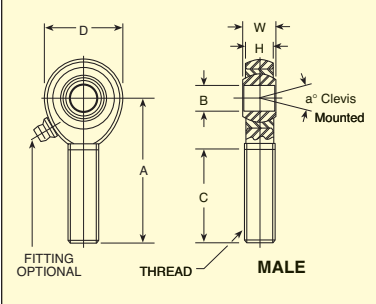
MODEL NO.	PRICE	THREAD
MLBC-M6	\$40	M6 x 1.0
MLBC-M12	40	M12 x 1.75
MLBC-M16	40	M16 x 2.0
MLBC-M24	55	M24 x 2.0

Load Button Dimensions



See pages F-21 and F-22 for dimensions.

Rod End Dimensions



To Order (Specify Model Number)

CAPACITY		MODEL			COMPATIBLE METERS*	LOAD BUTTON		ROD END	
lb	kgf	CABLE	CONNECTOR	PRICE		MODEL NO.	PRICE	MODEL NO.	PRICE
STANDARD MODELS									
25	11	LC101-25	LC111-25	\$305	DP41-S, DP25B-S	LBC-014	\$40	REC-014M	\$25
50	23	LC101-50	LC111-50	305	DP41-S, DP25B-S	LBC-014	40	REC-014M	25
100	45	LC101-100	LC111-100	305	DP41-S, DP25B-S	LBC-014	40	REC-014M	25
200	91	LC101-200	LC111-200	305	DP41-S, DP25B-S	LBC-014	40	REC-014M	25
250	114	LC101-250	LC111-250	305	DP41-S, DP25B-S	LBC-012	40	REC-012M	45
500	227	LC101-500	LC111-500	305	DP41-S, DP25B-S	LBC-012	40	REC-012M	45
1000	455	LC101-1K	LC111-1K	305	DP41-S, DP25B-S	LBC-012	40	REC-012M	45
2000	909	LC101-2K	LC111-2K	305	DP41-S, DP25B-S	LBC-012	40	REC-012M	45
3000	1361	LC101-3K	LC111-3K	365	DP41-S, DP25B-S	LBC-058	45	REC-058M	69
5000	2269	LC101-5K	LC111-5K	445	DP41-S, DP25B-S	LBC-058	45	REC-058M	69
10,000	4537	LC101-10K	LC111-10K	465	DP41-S, DP25B-S	LBC-100	55	REC-100M	135
20,000	9074	LC101-20K	LC111-20K	675	DP41-S, DP25B-S	LBC-100	55	REC-100M	135
25,000	11,343	LC101-25K	LC111-25K	825	DP41-S, DP25B-S	LBC-100	55	REC-100M-1	250
30,000	13,612	LC101-30K	LC111-30K	825	DP41-S, DP25B-S	LBC-100	55	REC-100M-1	250
40,000	18,149	LC101-40K	LC111-40K	875	DP41-S, DP25B-S	LBC-114	60	REC-114M	95
METRIC MODELS									
22	10	LCM101-10	LCM111-10	\$305	iSeries, DP41-S, DP25B-S	MLBC-M6	\$40	MREC-M6M	\$25
55	25	LCM101-25	LCM111-25	305	iSeries, DP41-S, DP25B-S	MLBC-M6	40	MREC-M6M	25
110	50	LCM101-50	LCM111-50	305	iSeries, DP41-S, DP25B-S	MLBC-M6	40	MREC-M6M	25
220	100	LCM101-100	LCM111-100	305	iSeries, DP41-S, DP25B-S	MLBC-M6	40	MREC-M6M	25
551	250	LCM101-250	LCM111-250	305	iSeries, DP41-S, DP25B-S	MLBC-M12	40	MREC-M12M	35
1102	500	LCM101-500	LCM111-500	305	iSeries, DP41-S, DP25B-S	MLBC-M12	40	MREC-M12M	35
2205	1000	LCM101-1K	LCM111-1K	305	iSeries, DP41-S, DP25B-S	MLBC-M12	40	MREC-M12M	35
3307	1500	LCM101-1.5K	LCM111-1.5K	365	iSeries, DP41-S, DP25B-S	MLBC-M16	40	MREC-M16M	65
4409	2000	LCM101-2K	LCM111-2K	445	iSeries, DP41-S, DP25B-S	MLBC-M16	40	MREC-M16M	65
11,023	5000	LCM101-5K	LCM111-5K	465	iSeries, DP41-S, DP25B-S	MLBC-M24	55	MREC-M24M	520
22,046	10,000	LCM101-10K	LCM111-10K	675	iSeries, DP41-S, DP25B-S	MLBC-M24	55	MREC-M24M	520

ACCESSORIES

MODEL NO.	PRICE	DESCRIPTION
PT06F8-4S	\$26.50	Mating connector for LC111/LCM111 series load cells, 200 lb, <100 kg
PT06F10-6S	26.50	Mating connector for LC111/LCM111 series load cells, 250 lb, >250 kg

Comes complete with 5-point NIST-traceable calibration and 59 kΩ shunt data.

* See section D for compatible meters.

To order connector style, change model number to **LC111**, no extra charge. Mating connector sold separately.

Ordering Examples: LC111-200, 200 lb capacity connector-style load cell, \$305.

LCM111-100, 100 kgf capacity connector-style load cell, \$305. PT06F8-4S, mating connector, \$24 ea. REC-014M, matching rod end, \$25 ea. LBC-014, matching load button, \$40.

LC101-5K, 5000 lb capacity cable-style load cell, \$445. REC-058M, matching rod end, \$69 ea.

Rod Ends (Specify Model Number) Dimensions: mm (in)

MALE ROD ENDS	PRICE	THREAD	B	W	H	A	D	C	a°	STATIC LOAD lb
REC-014M	\$25	¼-28 UNF	5 (0.190)	8 (0.312)	6 (0.250)	40 (1.562)	19 (0.750)	25 (1.000)	10	2158
REC-012M	45	½-20 UNF	11 (0.4375)	14 (0.562)	11 (0.437)	62 (2.438)	33 (1.312)	38 (1.500)	12	23,452
REC-058M	69	¾-18 UNF	13 (0.5000)	16 (0.625)	13 (0.500)	67 (2.625)	38 (1.500)	41 (1.625)	10	31,390
REC-100M	135	1-14 UNF	25 (1.000)	35 (1.375)	25 (1.000)	105 (4.125)	70 (2.750)	545 (2.120)	14	43,541
REC-114M	150	1¼-12 UNF	32 (1.250)	28 (1.093)	24 (0.937)	105 (4.125)	70 (2.750)	54 (2.125)	7	44,500
MREC-M6M	25	M6 x 1.0	6 (0.236)	9 (0.354)	7 (0.275)	36 (1.417)	19 (0.748)	22 (0.866)	13	17,720
MREC-M12M	35	M12 x 1.75	12 (0.472)	16 (0.630)	12 (0.472)	54 (2.126)	30 (1.181)	33 (1.300)	17	44,490
MREC-M16M	65	M16 x 2.0	16 (0.630)	21 (0.826)	14.25 (0.561)	66 (2.598)	38 (1.496)	40 (1.575)	23	76,291
MREC-M24M	520	M24 x 2.0	25 (0.984)	31 (1.220)	22 (0.866)	95 (3.740)	60 (2.362)	57 (2.244)	19	251,780



UNITED STATES

www.omega.com
1-800-TC-OMEGA
Stamford, CT.

CANADA

www.omega.ca
Laval(Quebec)
1-800-TC-OMEGA

GERMANY

www.omega.de
Deckenpfronn, Germany
0800-8266342

UNITED KINGDOM

www.omega.co.uk
Manchester, England
0800-488-488

FRANCE

www.omega.fr
Guyancourt, France
088-466-342

CZECH REPUBLIC

www.omegaeng.cz
Karviná, Czech Republic
596-311-899

BENELUX

www.omega.nl
Amstelveen, NL
0800-099-33-44



More than 100,000 Products Available!

• Temperature

Calibrators, Connectors, General Test and Measurement Instruments, Glass Bulb Thermometers, Handheld Instruments for Temperature Measurement, Ice Point References, Indicating Labels, Crayons, Cements and Lacquers, Infrared Temperature Measurement Instruments, Recorders Relative Humidity Measurement Instruments, RTD Probes, Elements and Assemblies, Temperature & Process Meters, Timers and Counters, Temperature and Process Controllers and Power Switching Devices, Thermistor Elements, Probes and Assemblies, Thermocouples Thermowells and Head and Well Assemblies, Transmitters, Wire

• Flow and Level

Air Velocity Indicators, Doppler Flowmeters, Level Measurement, Magnetic Flowmeters, Mass Flowmeters, Pitot Tubes, Pumps, Rotameters, Turbine and Paddle Wheel Flowmeters, Ultrasonic Flowmeters, Valves, Variable Area Flowmeters, Vortex Shedding Flowmeters

• pH and Conductivity

Conductivity Instrumentation, Dissolved Oxygen Instrumentation, Environmental Instrumentation, pH Electrodes and Instruments, Water and Soil Analysis Instrumentation

• Data Acquisition

Auto-Dialers and Alarm Monitoring Systems, Communication Products and Converters, Data Acquisition and Analysis Software, Data Loggers Plug-in Cards, Signal Conditioners, USB, RS232, RS485 and Parallel Port Data Acquisition Systems, Wireless Transmitters and Receivers

• Pressure, Strain and Force

Displacement Transducers, Dynamic Measurement Force Sensors, Instrumentation for Pressure and Strain Measurements, Load Cells, Pressure Gauges, Pressure Reference Section, Pressure Switches, Pressure Transducers, Proximity Transducers, Regulators, Strain Gages, Torque Transducers, Valves

• Heaters

Band Heaters, Cartridge Heaters, Circulation Heaters, Comfort Heaters, Controllers, Meters and Switching Devices, Flexible Heaters, General Test and Measurement Instruments, Heater Hook-up Wire, Heating Cable Systems, Immersion Heaters, Process Air and Duct, Heaters, Radiant Heaters, Strip Heaters, Tubular Heaters