

CANISTER STYLE COMPRESSION LOAD CELLS MULTI-COLUMN DESIGN



LC1288 Series

Compression

0-25,000 lb to 0-200,000 lb

0-10 METRIC TONS to

0-100 METRIC TONS



Shown Smaller
Than Actual Size
see next page for
dimensions

LC1288
\$1755
Model Shown



- ✓ 0.25% Interchangeable for Multiple Load Cell Applications
- ✓ NIST Traceable Calibration Standard
- ✓ Multi-Column Design for Rugged Industrial Applications
- ✓ Heavy Duty Stainless Steel Welded Case for Harsh Environments

Applications

- ✓ Tank, Bin and Hopper Weighing
- ✓ Truck Scales
- ✓ Railroad Track Scales

To Order (Specify Model Number)

CAPACITY	MODEL NO.	PRICE	COMPATIBLE METERS*
0 to 25 k lb	LC1288-25K	\$1755	DP41-W, DP41-S, DP25-S
0 to 50 k lb	LC1288-50K	1755	DP41-W, DP41-S, DP25-S
0 to 100 k lb	LC1288-100K	1970	DP41-W, DP41-S, DP25-S
0 to 200 k lb	LC1288-200K	2675	DP41-W, DP41-S, DP25-S
Metric Models - Capacity Metric Tons			
0 to 10	LC1288-10MT	\$1755	DP41-W, DP41-S, DP25-S
0 to 25	LC1288-25MT	1755	DP41-W, DP41-S, DP25-S
0 to 40	LC1288-40MT	1970	DP41-W, DP41-S, DP25-S
0 to 50	LC1288-50MT	1970	DP41-W, DP41-S, DP25-S
0 to 100	LC1288-100MT	2675	DP41-W, DP41-S, DP25-S

*See Section D For Compatible Meters

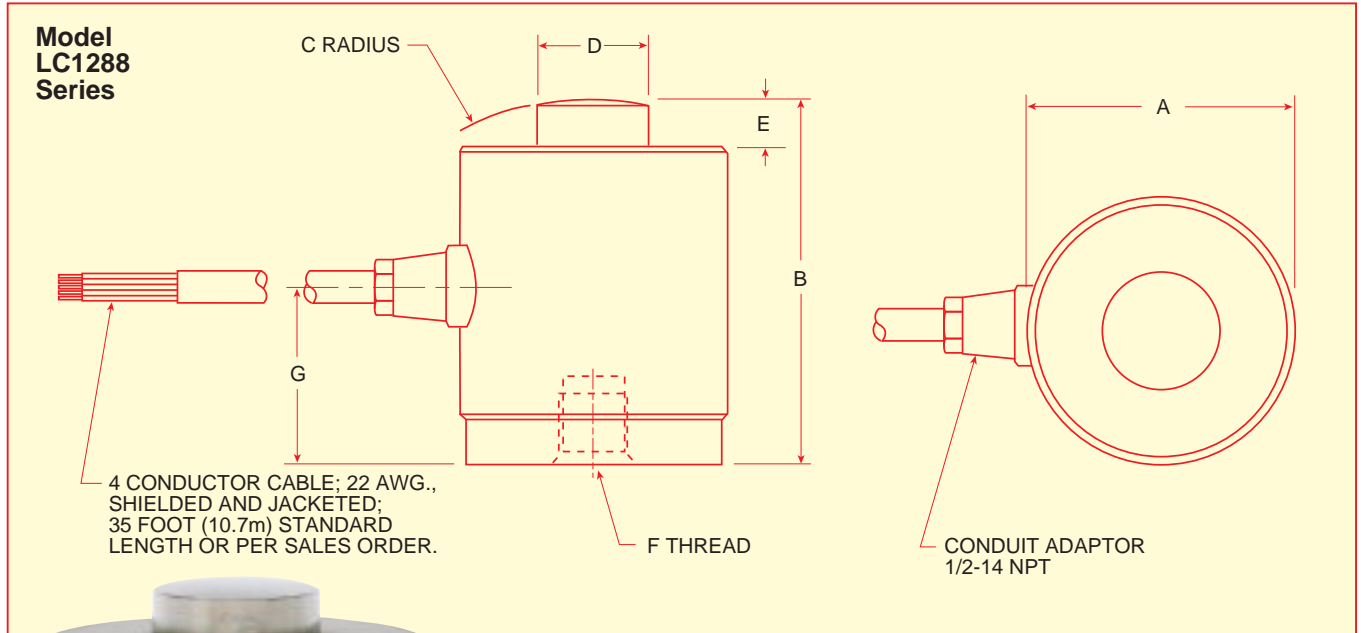
Ordering Examples:

1.) LC1288-25K has a range of 0 to 25,000 lb and 1/2-20 UNF thread, \$1755

2.) LC1288-25MT has a range of 0 to 25 metric tons (25,000 kg) and M12 x 1.75 thread, \$1755



MULTI-COLUMN CANISTER LOAD CELLS



SPECIFICATIONS:

Excitation: 5 to 20 Vdc recommended; 25 Vdc maximum
Full Scale Output: 2 mV/V $\pm 0.25\%$
Calibration: (Compression)
 NIST Traceable

Combined Error: $\leq 0.03\%$ FS
Linearity: $\leq 0.03\%$ FS
Hysteresis: $\leq 0.03\%$ FS
Repeatability: $\leq 0.02\%$ FS
Creep Error: $\leq 0.03\%$ FS in 20 min
Thermal Effects:
 Zero 0.0015% FS/ $^{\circ}$ F
 Span 0.0008% Rdg/ $^{\circ}$ F
Zero Balance: $\leq 0.01\%$ FS

Insulation Resistance:

$\geq 1000 \text{ M}\Omega$ at 50 Vdc

Operating Temp Range:

-18 to 65 $^{\circ}$ C (0 to 150 $^{\circ}$ F)

Compensated Temp Range:

-10 to 40 $^{\circ}$ C (14 to 104 $^{\circ}$ F)

Ultimate Overload:

300% of rated capacity

Input Resistance: 450 $\Omega \pm 4.5 \Omega$

Output Resistance: 480 $\Omega \pm 4.8 \Omega$

FS Deflection: see table

Safe Side Load:

30% of rated capacity

Safe Overload:

150% of rated capacity

Ultimate Overload:

400% of rated capacity

Sealing: Meets IP66/67 standards

Material: Welded Stainless Steel

Electrical: 35 ft (10.7 m)

4-Conductor Cable; 22 AWG
 Shielded & Jacketed

**LC1288
 METRIC
 MODELS
 AVAILABLE**

Dimensions Shown in Inches (mm)

Capacity lb (kg)	A	B	C	D	E	F (THREAD)	G	Deflec- tion	Weight lb (kg)
25 K-50 K (10 t-25 t)	3.00 (76.2)	3.25 (82.6)	6.00 (152.4)	1.25 (31.7)	0.40 (10.2)	1/2-20 UNF-2B x .31 DP M12 x 1.75-6H x 8 DP	1.68 (42.7)	0.003 (.01)	6.0 (3.0)
100 K (40 t-50 t)	4.00 (101.6)	5.00 (127.0)	6.00 (152.4)	2.31 (58.7)	0.51 (13.0)	3/4-16 UNF-2B x .56 DP M20 x 2.5-6H x 14 DP	2.49 (63.2)	0.006 (0.2)	15.7 (7.0)
200 K (100 t)	6.00 (152.4)	7.25 (184.2)	17.00 (431.8)	3.13 (79.5)	1.04 (26.4)	3/4-16 UNF-2B x .75 DP M20 x 2.5-6H x 19 DP	3.28 (83.3)	0.006 (0.2)	40 (18)



UNITED STATES

www.omega.com
1-800-TC-OMEGA
Stamford, CT.

CANADA

www.omega.ca
Laval(Quebec)
1-800-TC-OMEGA

GERMANY

www.omega.de
Deckenpfronn, Germany
0800-8266342

UNITED KINGDOM

www.omega.co.uk
Manchester, England
0800-488-488

FRANCE

www.omega.fr
Guyancourt, France
088-466-342

CZECH REPUBLIC

www.omegaeng.cz
Karviná, Czech Republic
596-311-899

BENELUX

www.omega.nl
Amstelveen, NL
0800-099-33-44



More than 100,000 Products Available!

• Temperature

Calibrators, Connectors, General Test and Measurement Instruments, Glass Bulb Thermometers, Handheld Instruments for Temperature Measurement, Ice Point References, Indicating Labels, Crayons, Cements and Lacquers, Infrared Temperature Measurement Instruments, Recorders Relative Humidity Measurement Instruments, RTD Probes, Elements and Assemblies, Temperature & Process Meters, Timers and Counters, Temperature and Process Controllers and Power Switching Devices, Thermistor Elements, Probes and Assemblies, Thermocouples Thermowells and Head and Well Assemblies, Transmitters, Wire

• Flow and Level

Air Velocity Indicators, Doppler Flowmeters, Level Measurement, Magnetic Flowmeters, Mass Flowmeters, Pitot Tubes, Pumps, Rotameters, Turbine and Paddle Wheel Flowmeters, Ultrasonic Flowmeters, Valves, Variable Area Flowmeters, Vortex Shedding Flowmeters

• pH and Conductivity

Conductivity Instrumentation, Dissolved Oxygen Instrumentation, Environmental Instrumentation, pH Electrodes and Instruments, Water and Soil Analysis Instrumentation

• Data Acquisition

Auto-Dialers and Alarm Monitoring Systems, Communication Products and Converters, Data Acquisition and Analysis Software, Data Loggers Plug-in Cards, Signal Conditioners, USB, RS232, RS485 and Parallel Port Data Acquisition Systems, Wireless Transmitters and Receivers

• Pressure, Strain and Force

Displacement Transducers, Dynamic Measurement Force Sensors, Instrumentation for Pressure and Strain Measurements, Load Cells, Pressure Gauges, Pressure Reference Section, Pressure Switches, Pressure Transducers, Proximity Transducers, Regulators, Strain Gages, Torque Transducers, Valves

• Heaters

Band Heaters, Cartridge Heaters, Circulation Heaters, Comfort Heaters, Controllers, Meters and Switching Devices, Flexible Heaters, General Test and Measurement Instruments, Heater Hook-up Wire, Heating Cable Systems, Immersion Heaters, Process Air and Duct, Heaters, Radiant Heaters, Strip Heaters, Tubular Heaters