

HIGH-ACCURACY STAINLESS STEEL CANTILEVER BEAMS

STANDARD AND METRIC MODELS

LC501/LCM501 Series
LC511/LCM511 Series
 Tension/Compression
 0-100 lb to 0-100,000 lb-
 Standard Models
 0-25 kgf to 0-10,000 kgf-
 Metric Models

STANDARD
 LC501-20K, \$695, shown
 smaller than actual size.

METRIC
 LCM501-10K, \$695 shown
 smaller than actual size.

Starts at
\$340

**IP65
 Protection
 Level**

TWA5-750 self adjusting weigh
 module, \$560, shown smaller than
 actual size. See page F-76.



- ✓ FM Approved
- ✓ Intrinsically Safe Rating
- ✓ All Stainless Steel Construction for Harsh Industrial Applications
- ✓ 0.25% Interchangeability for Multiple Cell Applications
- ✓ 5-Point Calibration Provided

SPECIFICATIONS

Excitation: 10 Vdc, 15 Vdc max

Output: 3 mV/V $\pm 0.25\%$

5-Point Calibrated (in Compression):

0%, 50%, 100%, 50%, 0%

Linearity: $\pm 0.03\%$ FSO

Hysteresis: $\pm 0.02\%$ FSO

Repeatability: $\pm 0.02\%$ FSO

Zero Balance: $\pm 1\%$ FSO

Agency Approvals: FM Intrinsically Safe IS/I.II.III/1/CDEFG

Operating Temp Range:

-34 to 82°C (-30 to 180°F)

Compensated Temp Range:

16 to 71°C (60 to 160°F)

Thermal Effects:

Zero: $\pm 0.001\%$ FSO/°F (0.0018%/°C)

Span: $\pm 0.001\%$ FSO/°F (0.0018%/°C)

Safe Overload: 150% of capacity

Ultimate Overload: 300% of capacity

Input Resistance: 360 Ω minimum

Output Resistance: 350 $\pm 10 \Omega$

FS Deflection: 0.5 mm (0.02") typical

Construction: 17-4 PH stainless steel, >20,000 lb, high-alloy steel

Electrical:

LC501/LCM501: 4.6 m (15')

4 conductor shielded cable

LC511/LCM511: 6-pin DT02H-10-6P or equivalent

Mating Connector: PT06F10-6S

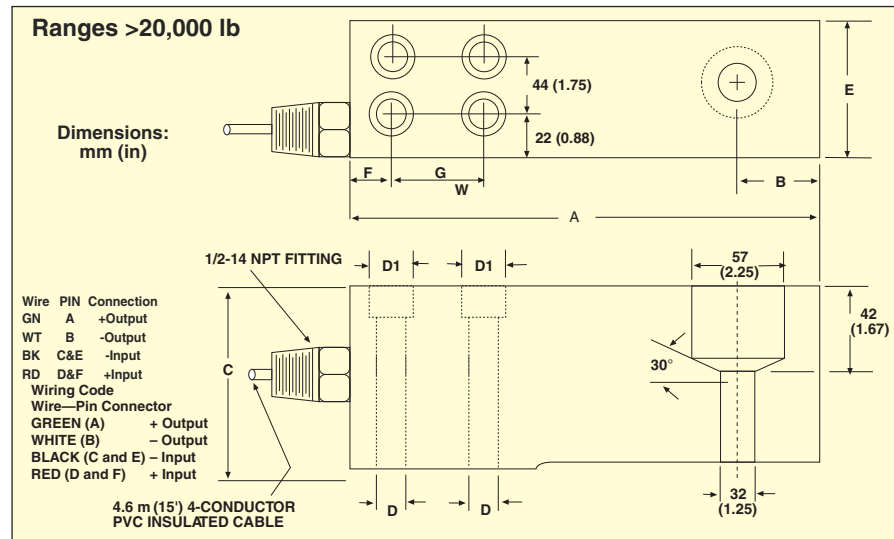
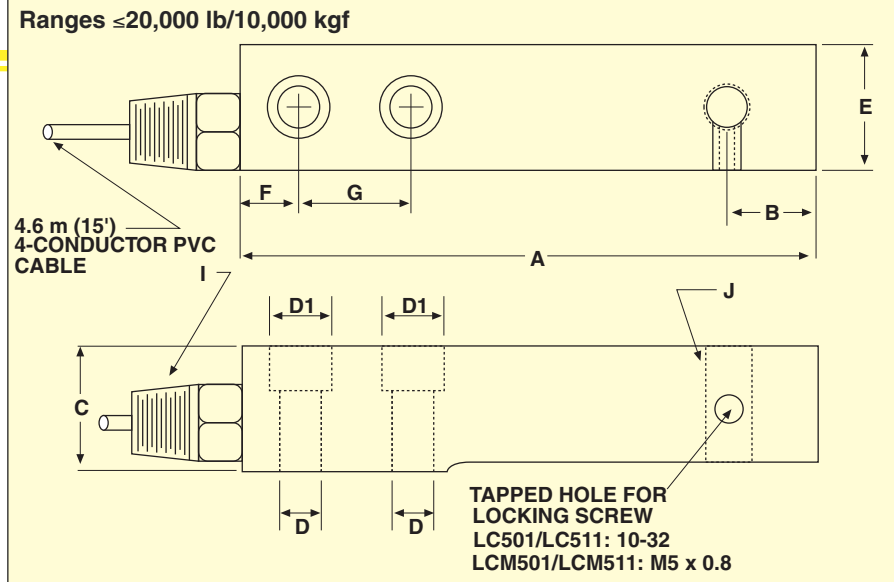
\$26.50 (sold separately)

Accessory Hardware:

TWA/TWAM Series (Page F-76)

Self-Adjusting Weigh Modules

Nickel-Plated Carbon Steel or Stainless Steel



Dimensions: mm (in)

CAPACITY	A	B	C	D	D1	E	F	G	I	J	WEIGHT kg (lb)
STANDARD											
100 to 750 lb	121 (4.75)	19 (0.75)	25 (1.0)	9.9 (0.39)	15 (0.59)	25 (1.0)	13 (0.50)	25 (1.0)	3/16-18 UNC	1/2-20	0.9 (2)
1K to 5K lb	173 (6.75)	25 (1.0)	38 (1.5)	13 (0.53)	20 (0.77)	38 (1.5)	13 (0.50)	38 (1.5)	1/4-14 UNC	1/2-20	1.8 (4)
10K lb	197 (7.75)	25 (1.0)	38 (1.5)	20 (0.77)	n/a	38 (1.5)	19 (0.75)	51 (2.0)	1/4-14 UNC	3/4-16	2.3 (5)
20K lb	241 (9.50)	25 (1.0)	64 (2.5)	20 (0.77)	n/a	51 (2.0)	25 (1.00)	57 (2.25)	1/4-14 UNC	1-12	5 (11)
50K to 100K lb	330 (13.00)	51 (2.0)	102 (4.0)	26 (1.03)	40 (1.56)	90 (3.5)	32 (1.25)	70 (2.75)	1/4-14 UNC	n/a	19 (42)
METRIC											
25 to 250 kgf	121 (4.75)	19 (0.75)	25 (1.0)	9.9 (0.39)	15 (0.59)	25 (1.0)	13 (0.50)	25 (1.0)	3/16-18 UNC	M12 x 1.75	0.9 (2)
500 to 2500 kgf	173 (6.75)	25 (1.0)	38 (1.5)	13 (0.53)	20 (0.77)	38 (1.5)	13 (0.50)	38 (1.5)	1/4-14 UNC	M12 x 1.75	1.8 (4)
5000 kgf	197 (7.75)	25 (1.0)	38 (1.5)	20 (0.77)	n/a	38 (1.5)	19 (0.75)	51 (2.0)	1/4-14 UNC	M20 x 1.5	2.3 (5)
10,000 kgf	241 (9.50)	25 (1.0)	64 (2.5)	20 (0.77)	n/a	51 (2.0)	25 (1.00)	57 (2.25)	1/4-14 UNC	M24 x 2.0	5 (11)

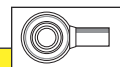
HIGH-ACCURACY STAINLESS STEEL CANTILEVER BEAMS

 MOST POPULAR MODELS HIGHLIGHTED!

To Order (Specify Model Number)

CAPACITY		MODEL NO.		PRICE	COMPATIBLE METERS**	BASE PLATE	PRICE
kgf	lb	CABLE STYLE	CONNECTOR STYLE				
STANDARD MODELS							
45	100	LC501-100	LC511-100	\$340	DP41-B, DP41-S, DP25B-S	BP-10	\$44
91	200	LC501-200	LC511-200	340	DP41-B, DP41-S, DP25B-S		
227	500	LC501-500	LC511-500	340	DP41-B, DP41-S, DP25B-S		
341	750	LC501-750	LC511-750	340	DP41-B, DP41-S, DP25B-S	BP-15	76
455	1000	LC501-1K	LC511-1K	350	DP41-B, DP41-S, DP25B-S		
909	2000	LC501-2K	LC511-2K	350	DP41-B, DP41-S, DP25B-S		
1361	3000	LC501-3K	LC511-3K	350	DP41-B, DP41-S, DP25B-S		
2269	5000	LC501-5K	LC511-5K	350	DP41-B, DP41-S, DP25B-S		
4537	10,000	LC501-10K	LC511-10K	695	DP41-B, DP41-S, DP25B-S	BP-20	80
9074	20,000	LC501-20K	LC511-20K	695	DP41-B, DP41-S, DP25B-S*		
13,612	30,000	LC501-30K	LC511-30K	695	DP41-B, DP41-S, DP25B-S*	-	-
22,686	50,000	LC501-50K	LC511-50K	†	DP41-B, DP41-S, DP25B-S*	-	-
36,298	80,000	LC501-80K	LC511-80K	†	DP41-B, DP41-S, DP25B-S*	-	-
45,372	100,000	LC501-100K	LC511-100K	†	DP41-B, DP41-S, DP25B-S*	-	-
METRIC MODELS							
25	55	LCM501-25	LCM511-25	\$340	DPiS, DP41-S, DP25B-S	MBP-10	\$44
50	110	LCM501-50	LCM511-50	340	DPiS, DP41-S, DP25B-S		
100	220	LCM501-100	LCM511-100	340	DPiS, DP41-S, DP25B-S		
250	551	LCM501-250	LCM511-250	340	DPiS, DP41-S, DP25B-S		
500	1102	LCM501-500	LCM511-500	340	DPiS, DP41-S, DP25B-S	MBP-15	76
1000	2205	LCM501-1K	LCM511-1K	350	DPiS, DP41-S, DP25B-S		
2500	5512	LCM501-2.5K	LCM511-2.5K	350	DPiS, DP41-S, DP25B-S		
5000	11,023	LCM501-5K	LCM511-5K	445	DPiS, DP41-S, DP25B-S		
10,000	22,046	LCM501-10K	LCM511-10K	695	DPiS*, DP41-S, DP25B-S*	MBP-20	76

ACCESSORIES



MODEL NO.	PRICE	DESCRIPTION	LOAD BUTTON	ROD END
STANDARD MODELS				
LBC-012	\$40	Load button for ranges 100 to 5000 lb		
LBC-034	55	Load button for LC501/511-10K		
LBC-101	55	Load button for LC501/511-20K		
REC-012M	45	Rod end for ranges 100 to 5000 lb		
REC-034M	65	Rod end for LC501/511-10K		
METRIC MODELS				
MLBC-M12	\$40	Load button for ranges 25 to 2500 kgf		
MLBC-M20	55	Load button for LCM501-5K, LCM511-5K		
MLBC-M24	55	Load button for LCM501-10K, LCM511-10K		
MREC-M12M	35	Rod end for ranges 25 to 2500 kgf		
MREC-M20M	65	Rod end for LCM501-5K, LCM511-5K		
MREC-M24M	105	Rod end for LCM501-10K, LCM511-10K		
COMMON				
PT06F10-6S	26.50	Mating connector for LC511/LCM511 series load cells		

Comes complete with 5-point NIST-traceable calibration and 59 kΩ shunt data.

* 4-digit meter. ** See section D for compatible meters.

Note: Base plates are nickel-plated carbon steel.

To order stainless steel base plates (see Accessories), specify **BP-10-SS \$70, BP-15-SS \$144, BP-20-SS \$144, MBP-10-SS, \$70, MBP-15-SS, \$144, MBP-20-SS, \$144.**

To order load cells with a twist-lock connector, specify **LC511** (standard) or **LCM511** (metric), no extra charge. **PT06F10-6S**, mating connector (sold separately), **\$26.50.**

Ordering Examples: **LC501-5K**, 5000 lb capacity load cell, **\$350.** **REC-012M**, optional rod end, **\$45.** **BP-15**, optional base plate, **\$76.**

LCM511-5K, 5000 kgf capacity load cell with twist lock connector, **\$445.** **PT06F10-6S**, mating connector, **\$26.50.**

MREC-M20M, optional rod end, **\$55.** **MBP-15**, optional base plate, **\$76.**



UNITED STATES

www.omega.com
1-800-TC-OMEGA
Stamford, CT.

CANADA

www.omega.ca
Laval(Quebec)
1-800-TC-OMEGA

GERMANY

www.omega.de
Deckenpfronn, Germany
0800-8266342

UNITED KINGDOM

www.omega.co.uk
Manchester, England
0800-488-488

FRANCE

www.omega.fr
Guyancourt, France
088-466-342

CZECH REPUBLIC

www.omegaeng.cz
Karviná, Czech Republic
596-311-899

BENELUX

www.omega.nl
Amstelveen, NL
0800-099-33-44



More than 100,000 Products Available!

• Temperature

Calibrators, Connectors, General Test and Measurement Instruments, Glass Bulb Thermometers, Handheld Instruments for Temperature Measurement, Ice Point References, Indicating Labels, Crayons, Cements and Lacquers, Infrared Temperature Measurement Instruments, Recorders Relative Humidity Measurement Instruments, RTD Probes, Elements and Assemblies, Temperature & Process Meters, Timers and Counters, Temperature and Process Controllers and Power Switching Devices, Thermistor Elements, Probes and Assemblies, Thermocouples Thermowells and Head and Well Assemblies, Transmitters, Wire

• Flow and Level

Air Velocity Indicators, Doppler Flowmeters, Level Measurement, Magnetic Flowmeters, Mass Flowmeters, Pitot Tubes, Pumps, Rotameters, Turbine and Paddle Wheel Flowmeters, Ultrasonic Flowmeters, Valves, Variable Area Flowmeters, Vortex Shedding Flowmeters

• pH and Conductivity

Conductivity Instrumentation, Dissolved Oxygen Instrumentation, Environmental Instrumentation, pH Electrodes and Instruments, Water and Soil Analysis Instrumentation

• Data Acquisition

Auto-Dialers and Alarm Monitoring Systems, Communication Products and Converters, Data Acquisition and Analysis Software, Data Loggers Plug-in Cards, Signal Conditioners, USB, RS232, RS485 and Parallel Port Data Acquisition Systems, Wireless Transmitters and Receivers

• Pressure, Strain and Force

Displacement Transducers, Dynamic Measurement Force Sensors, Instrumentation for Pressure and Strain Measurements, Load Cells, Pressure Gauges, Pressure Reference Section, Pressure Switches, Pressure Transducers, Proximity Transducers, Regulators, Strain Gages, Torque Transducers, Valves

• Heaters

Band Heaters, Cartridge Heaters, Circulation Heaters, Comfort Heaters, Controllers, Meters and Switching Devices, Flexible Heaters, General Test and Measurement Instruments, Heater Hook-up Wire, Heating Cable Systems, Immersion Heaters, Process Air and Duct, Heaters, Radiant Heaters, Strip Heaters, Tubular Heaters