

# MINIATURE INDUSTRIAL COMPRESSION LOAD CELL

## STANDARD AND METRIC MODELS

### LCGD/LCMGD Series Compression

0-25 lb to 0-50,000 lb  
0-100 N to 0-200,000 N

Starts at  
**\$460**



Standard

- ✓ 5-Point NIST Traceable Calibration
- ✓ Stainless Steel
- ✓ High Accuracy
- ✓ Low Profile
- ✓ Miniature Size

The LCGD/LCMGD Series miniature low-profile load cells are compression load cells with excellent long-term stability. An all stainless steel construction ensures reliability in severe industrial environments. These cells are designed to be mounted on a flat surface, and a load button is integral to their basic design.

### SPECIFICATIONS

**Excitation:** 10 Vdc  
**Output:** 2 mV/V nominal  
**5-Point Calibration:** 0%, 50% 100%, 50%, 0%  
**Linearity:** ±0.25% FSO  
**Hysteresis:** ±0.20% FSO  
**Repeatability:** ±0.10% FSO  
**Zero Balance:** ±2% FSO  
**Operating Temp Range:** -54 to 121°C (-65 to 250°F)  
**Compensated Temp Range:** 16 to 71°C (60 to 160°F)  
**Thermal Effects:**  
**Span:** ±0.018% rdg/°C  
**Zero:** ±0.009% FSO/°C

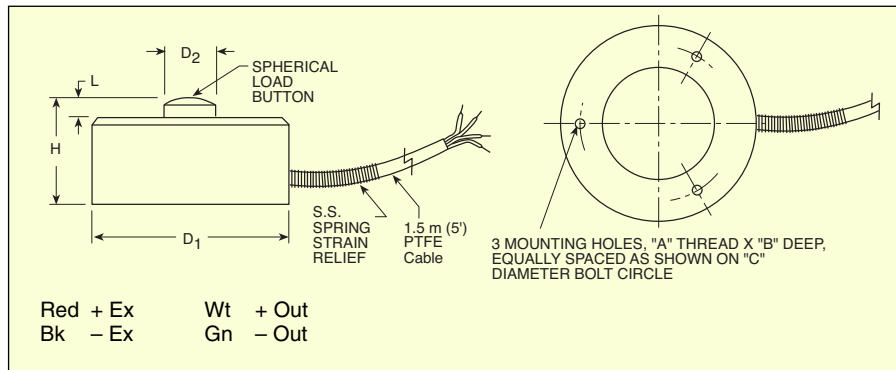


LCGD-100, \$590.



LCGD-2K, \$460.

Shown actual size.



**Safe Overload:** 150% of capacity  
**Ultimate Overload:** 300% of capacity  
**Bridge Resistance:** 350 Ω minimum  
**Deflection:** 0.076 mm (0.003")  
**Construction:** Stainless steel  
**Electrical Connection:** 1.5 m (5') shielded cable  
**Protection Class:** IP65

Recommended Reference Book:  
Measure for Measure,  
**OP-17, \$15.**  
See Section Y  
For Additional Books.



### STANDARD Dimensions: mm (in)

CAPACITY	D1	D2	H	L	A	B	C
25 to 100 lb	25 (1.00)	5.3 (0.21)	16 (0.62)	1.3 (0.05)	#4-40 UNC	4.8 (0.19)	19 (0.75)
250 to 2000 lb	32 (1.25)	8.1 (0.32)	10 (0.39)	1.8 (0.07)	#6-32 UNC	6.4 (0.25)	25.4 (1.00)
5000 to 10,000 lb	38 (1.50)	11 (0.43)	16 (0.63)	2.0 (0.08)	#6-32 UNC	6.4 (0.25)	31.8 (1.25)
15,000 to 30,000 lb	51 (2.00)	15 (0.60)	25 (1.00)	3.0 (0.12)	#6-32 UNC	6.4 (0.25)	41.3 (1.63)
50,000 lb	76 (3.00)	20 (0.78)	38 (1.50)	4.6 (0.18)	#6-32 UNC	6.4 (0.25)	60.3 (2.38)

### METRIC Dimensions: mm (in)

CAPACITY (N)	D1	D2	H	L	A	B	C
100 to 500	25 (1.00)	5.3 (0.21)	16 (0.62)	1.3 (0.05)	M4 x 0.7	4.8 (0.19)	19.1 (0.75)
1000 to 10,000	32 (1.25)	8.1 (0.32)	10 (0.39)	1.8 (0.07)	M4 x 0.7	6.4 (0.25)	25.4 (1.00)
20,000 to 50,000	38 (1.50)	11 (0.43)	16 (0.63)	2.0 (0.08)	M4 x 0.7	6.4 (0.25)	31.8 (1.25)
60,000 to 120,000	51 (2.00)	15 (0.60)	25 (1.00)	3.0 (0.12)	M4 x 0.7	6.4 (0.25)	41.3 (1.63)
200,000	76 (3.00)	20 (0.78)	38 (1.50)	4.6 (0.18)	M4 x 0.7	6.35 (0.25)	60.3 (2.38)

Shown actual size.



LCMGD-100, \$590.

LCMGD-2K, \$460.

Comes complete with 5-point NIST-traceable calibration and 59 kΩ shunt data.  
\* See section D for compatible meters.  
\*\* 4-digit meter.

**Ordering Examples:** LCGD-5K, 5000 lb capacity load cell, \$525.

LCGD-25, 25 lb capacity load cell, \$590.

LCMGD-10KN, 10,000 Newton capacity load cell, \$460.

LCMGD-500N, 500 Newton capacity load cell, \$590.

STANDARD MODELS  MOST POPULAR MODELS HIGHLIGHTED!

**To Order (Specify Model Number)**

CAPACITY		MODEL NO.	PRICE	COMPATIBLE METERS*
lb	N			
25	111	LCGD-25	\$590	DPiS, DP41-S, DP25B-S
50	222	LCGD-50	590	DPiS, DP41-S, DP25B-S
100	445	LCGD-100	590	DPiS, DP41-S, DP25B-S
250	1112	LCGD-250	490	DPiS, DP41-S, DP25B-S
500	2224	LCGD-500	460	DPiS, DP41-S, DP25B-S
1000	4448	LCGD-1K	460	DPiS, DP41-S, DP25B-S
2000	8897	LCGD-2K	460	DPiS, DP41-S, DP25B-S
5000	22,242	LCGD-5K	525	DPiS, DP41-S, DP25B-S
10,000	44,484	LCGD-10K	525	DPiS, DP41-S, DP25B-S
15,000	66,726	LCGD-15K	625	DPiS, DP41-S, DP25B-S
20,000	88,968	LCGD-20K	625	DPiS, DP41-S, DP25B-S
30,000	133,452	LCGD-30K	625	DPiS, DP41-S, DP25B-S
50,000	222,420	LCGD-50K	695	DPiS, DP41-S, DP25B-S

**METRIC MODELS**

CAPACITY		MODEL NO.	PRICE	COMPATIBLE METERS*
N	lb			
100	22.5	LCMGD-100N	\$590	iSeries, DP41-S, DP25B-S
200	45	LCMGD-200N	590	iSeries, DP41-S, DP25B-S
500	112	LCMGD-500N	590	iSeries, DP41-S, DP25B-S
1000	225	LCMGD-1KN	490	iSeries, DP41-S, DP25B-S
2000	450	LCMGD-2KN	460	iSeries, DP41-S, DP25B-S
5000	1124	LCMGD-5KN	460	iSeries, DP41-S, DP25B-S
10,000	2248	LCMGD-10KN	460	iSeries**, DP41-S, DP25B-S**
20,000	4496	LCMGD-20KN	525	iSeries**, DP41-S, DP25B-S**
50,000	11,240	LCMGD-50KN	525	iSeries**, DP41-S, DP25B-S**
60,000	13,488	LCMGD-60KN	595	iSeries**, DP41-S, DP25B-S**
80,000	17,984	LCMGD-80KN	595	iSeries**, DP41-S, DP25B-S**
120,000	26,976	LCMGD-120KN	595	iSeries**, DP41-S, DP25B-S**
200,000	44,960	LCMGD-200KN	695	iSeries**, DP41-S, DP25B-S**

**COMPATIBLE METERS**

PATENTED

Ω MONOGRAM SERIES

DP25B/DP41-B Starts at

**\$245**



DP41-B, \$595, shown smaller than actual size.

DP25B-E, \$245, shown smaller than actual size.

- ✓ mV, V, mA, Strain Gage Thermocouple, RTD Inputs
- ✓ Full Process Unit Scaling
- ✓ Built-In Transducer Power

**IN STOCK FOR FAST DELIVERY**

**To Order (Specify Model Number)**

MODEL NO.	PRICE	DESCRIPTION
DP25B-E	\$245	4-digit voltage/current input meter with excitation
DP25B-S	245	4-digit mV input meter with excitation
DP41-B	595	6-digit 1/8 DIN universal input meter with excitation

Comes complete with operator's manual.

**Ordering Examples:** DP25B-E, voltage/current input meter for use with 0 to 5 V, 0 to 10 V, 4 to 20 mA output transducers, \$245.

DP25B-S, mV input meter for use with mV/V output transducers, \$245. DP41-B, universal input meter for use with all standard transducer outputs, \$595.

change color

At Any Setpoint

TOTALLY PROGRAMMABLE COLOR DISPLAYS





#### UNITED STATES

[www.omega.com](http://www.omega.com)  
1-800-TC-OMEGA  
Stamford, CT.

#### CANADA

[www.omega.ca](http://www.omega.ca)  
Laval(Quebec)  
1-800-TC-OMEGA

#### GERMANY

[www.omega.de](http://www.omega.de)  
Deckenpfronn, Germany  
0800-8266342

#### UNITED KINGDOM

[www.omega.co.uk](http://www.omega.co.uk)  
Manchester, England  
0800-488-488

#### FRANCE

[www.omega.fr](http://www.omega.fr)  
Guyancourt, France  
088-466-342

#### CZECH REPUBLIC

[www.omegaeng.cz](http://www.omegaeng.cz)  
Karviná, Czech Republic  
596-311-899

#### BENELUX

[www.omega.nl](http://www.omega.nl)  
Amstelveen, NL  
0800-099-33-44



## More than 100,000 Products Available!

### • Temperature

Calibrators, Connectors, General Test and Measurement Instruments, Glass Bulb Thermometers, Handheld Instruments for Temperature Measurement, Ice Point References, Indicating Labels, Crayons, Cements and Lacquers, Infrared Temperature Measurement Instruments, Recorders Relative Humidity Measurement Instruments, RTD Probes, Elements and Assemblies, Temperature & Process Meters, Timers and Counters, Temperature and Process Controllers and Power Switching Devices, Thermistor Elements, Probes and Assemblies, Thermocouples Thermowells and Head and Well Assemblies, Transmitters, Wire

### • Flow and Level

Air Velocity Indicators, Doppler Flowmeters, Level Measurement, Magnetic Flowmeters, Mass Flowmeters, Pitot Tubes, Pumps, Rotameters, Turbine and Paddle Wheel Flowmeters, Ultrasonic Flowmeters, Valves, Variable Area Flowmeters, Vortex Shedding Flowmeters

### • pH and Conductivity

Conductivity Instrumentation, Dissolved Oxygen Instrumentation, Environmental Instrumentation, pH Electrodes and Instruments, Water and Soil Analysis Instrumentation

### • Data Acquisition

Auto-Dialers and Alarm Monitoring Systems, Communication Products and Converters, Data Acquisition and Analysis Software, Data Loggers Plug-in Cards, Signal Conditioners, USB, RS232, RS485 and Parallel Port Data Acquisition Systems, Wireless Transmitters and Receivers

### • Pressure, Strain and Force

Displacement Transducers, Dynamic Measurement Force Sensors, Instrumentation for Pressure and Strain Measurements, Load Cells, Pressure Gauges, Pressure Reference Section, Pressure Switches, Pressure Transducers, Proximity Transducers, Regulators, Strain Gages, Torque Transducers, Valves

### • Heaters

Band Heaters, Cartridge Heaters, Circulation Heaters, Comfort Heaters, Controllers, Meters and Switching Devices, Flexible Heaters, General Test and Measurement Instruments, Heater Hook-up Wire, Heating Cable Systems, Immersion Heaters, Process Air and Duct, Heaters, Radiant Heaters, Strip Heaters, Tubular Heaters