

# LOW COST HALF BRIDGE LOAD CELLS FOR TENSION/COMPRESSION APPLICATIONS

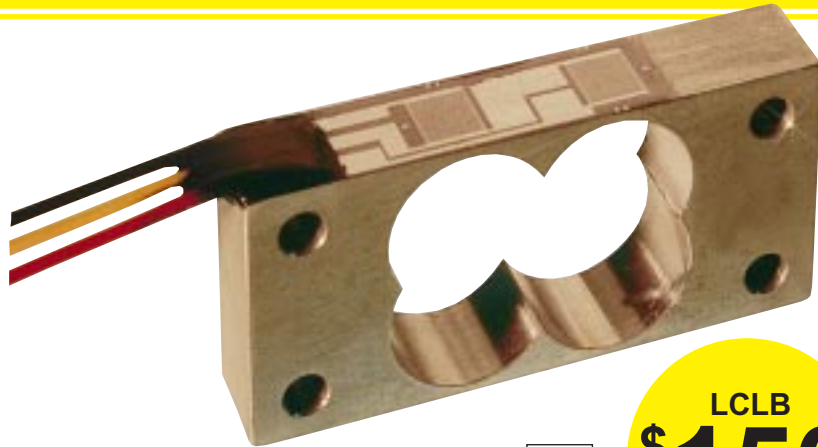


DISCONTINUED PRODUCT

## LCLB Series

Tension/Compression  
1 to 20 lb Capacities

- ✓ Full Parallelogram Design to Minimize Off-Center Load Effects and Improve Accuracy
- ✓ Small Size
- ✓ Half Bridge Design to Reduce the Number of Interconnecting Wires
- ✓ Bonded Foil Strain Gage Design for High Reliability



Shown Larger Than Actual Size



LCLB  
**\$150**

### SPECIFICATIONS:

**Excitation:** 10 Vdc recommended; 15 Vdc maximum

**Full Scale Output:**

1 and 2 lb ranges: 1 mV/V  $\pm 0.25$  mV  
5 to 20 lb ranges: 1 mV/V  $\pm 0.15$  mV

**Bridge Configuration:** Active half bridge, adjacent arms

**Linearity:**  $\leq 0.15\%$  FS

**Hysteresis:**  $\leq 0.15\%$  FS

**Repeatability:**  $\leq 0.05\%$  FS

**Creep:** 0.01% Load 5 min

**Thermal Effects:**

Zero 0.003% FS/ $^{\circ}$ F  
Span 0.035% FS/ $^{\circ}$ F

**Zero Balance:**  $\leq 1.0\%$  FS

**Insulation Resistance:**  
 $\geq 1000$  M $\Omega$  at 50 Vdc

**Operating Temp Range:**

-140 to 66 $^{\circ}$ C (-40 to 151 $^{\circ}$ F)

**Compensated Temp Range:**

-10 to 46 $^{\circ}$ C (15 to 115 $^{\circ}$ F)

**Safe Overload:**

150% of rated capacity

**Maximum Overload:**

200% of rated capacity

**Eccentric Load Effect:**  $\pm 1\%$  FS

Center Load; 3" Eccentricity  
North/South  $\frac{1}{4}$ " East/West,  $\pm 1\%$  FS

**Gage Resistance:**

500  $\Omega$   $\pm 50$   $\Omega$

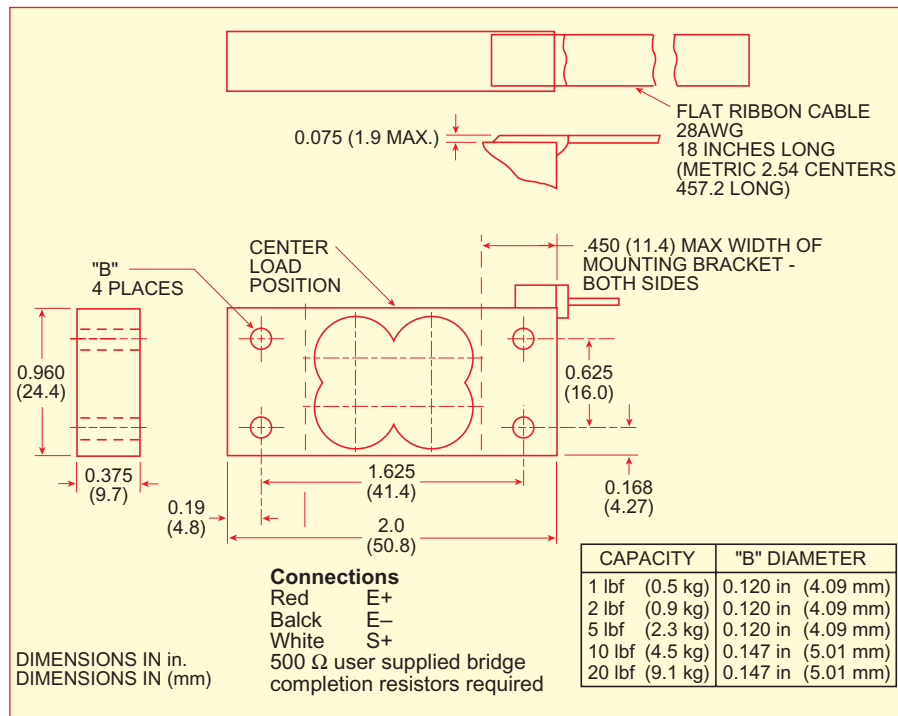
**Deflection:** 1 lb: 0.017", 2 lb: 0.11",  
5 lb: 0.13", 10 lb: 0.12", 20 lb: 0.14"

**Recommended Platform Size:**

1 & 2 lb: 6 x 4", 5 to 20 lb: 6 x 6"

**Electrical:** 18" (0.4 m)

3-Conductor Flat Cable



### Most Popular Models Highlighted

#### To Order (Specify Model Number)

CAPACITY (lb)	MODEL NO.	PRICE	COMPATIBLE METERS*
$\pm 1$	LCLB-1	\$150	DP302-S DP25-S, DP41-S
$\pm 2$	LCLB-2	150	DP302-S DP25-S, DP41-S
$\pm 5$	LCLB-5	150	DP302-S DP25-S, DP41-S
$\pm 10$	LCLB-10	150	DP302-S DP25-S, DP41-S
$\pm 20$	LCLB-20	150	DP302-S DP25-S, DP41-S

\*See Section D For Compatible Meters

Two external 500 ohm bridge completion resistors required with any of the above meters.

Ordering Example: LCLB-5, Half bridge load cell with 0 to 5 lb capacity, \$150.



#### UNITED STATES

[www.omega.com](http://www.omega.com)  
1-800-TC-OMEGA  
Stamford, CT.

#### CANADA

[www.omega.ca](http://www.omega.ca)  
Laval(Quebec)  
1-800-TC-OMEGA

#### GERMANY

[www.omega.de](http://www.omega.de)  
Deckenpfronn, Germany  
0800-8266342

#### UNITED KINGDOM

[www.omega.co.uk](http://www.omega.co.uk)  
Manchester, England  
0800-488-488

#### FRANCE

[www.omega.fr](http://www.omega.fr)  
Guyancourt, France  
088-466-342

#### CZECH REPUBLIC

[www.omegaeng.cz](http://www.omegaeng.cz)  
Karviná, Czech Republic  
596-311-899

#### BENELUX

[www.omega.nl](http://www.omega.nl)  
Amstelveen, NL  
0800-099-33-44



## More than 100,000 Products Available!

### • Temperature

Calibrators, Connectors, General Test and Measurement Instruments, Glass Bulb Thermometers, Handheld Instruments for Temperature Measurement, Ice Point References, Indicating Labels, Crayons, Cements and Lacquers, Infrared Temperature Measurement Instruments, Recorders Relative Humidity Measurement Instruments, RTD Probes, Elements and Assemblies, Temperature & Process Meters, Timers and Counters, Temperature and Process Controllers and Power Switching Devices, Thermistor Elements, Probes and Assemblies, Thermocouples Thermowells and Head and Well Assemblies, Transmitters, Wire

### • Flow and Level

Air Velocity Indicators, Doppler Flowmeters, Level Measurement, Magnetic Flowmeters, Mass Flowmeters, Pitot Tubes, Pumps, Rotameters, Turbine and Paddle Wheel Flowmeters, Ultrasonic Flowmeters, Valves, Variable Area Flowmeters, Vortex Shedding Flowmeters

### • pH and Conductivity

Conductivity Instrumentation, Dissolved Oxygen Instrumentation, Environmental Instrumentation, pH Electrodes and Instruments, Water and Soil Analysis Instrumentation

### • Data Acquisition

Auto-Dialers and Alarm Monitoring Systems, Communication Products and Converters, Data Acquisition and Analysis Software, Data Loggers Plug-in Cards, Signal Conditioners, USB, RS232, RS485 and Parallel Port Data Acquisition Systems, Wireless Transmitters and Receivers

### • Pressure, Strain and Force

Displacement Transducers, Dynamic Measurement Force Sensors, Instrumentation for Pressure and Strain Measurements, Load Cells, Pressure Gauges, Pressure Reference Section, Pressure Switches, Pressure Transducers, Proximity Transducers, Regulators, Strain Gages, Torque Transducers, Valves

### • Heaters

Band Heaters, Cartridge Heaters, Circulation Heaters, Comfort Heaters, Controllers, Meters and Switching Devices, Flexible Heaters, General Test and Measurement Instruments, Heater Hook-up Wire, Heating Cable Systems, Immersion Heaters, Process Air and Duct, Heaters, Radiant Heaters, Strip Heaters, Tubular Heaters