

# 4 TO 20 mA OUTPUT LVDT DISPLACEMENT TRANSMITTERS

## LD630 Series

Starts at  
**\$495**

See Section Y for a  
Selection of Scientific,  
Technical, and Reference  
Books Available from  
[omega.com](http://omega.com)

- ✓ Less Than 0.2% Linearity
- ✓ 5 to 300 mm Travel Lengths Available
- ✓ 4 to 20 mA or 20 to 4 mA Versions Available
- ✓ Rugged Stainless Steel Body Construction
- ✓ Guided Core with Removable Spring
- ✓ IP67 Environmental Rating

The LD630 Series current output displacement transmitters have improved IP67-rated sealing, coupled with polymer guides with rigid carriers. These transmitters are accurate and reliable, especially in wet and corrosive conditions. Output options are either direct-acting 4 to 20 mA or reverse-acting 20 to 4 mA. The direct-acting model will have 4 mA output when the guided core is fully out, and the output will increase to 20 mA when fully in.

### SPECIFICATIONS

**Linearity:** <0.2% FSO

**Excitation Voltage:** 10 to 30 Vdc

**Output:** 4 to 20 mA

**Output Ripple:** 0.02% FSO

**Bandwidth:** 500 Hz (-3 dB)

**Storage Temp:** -20 to 85°C  
(-4 to 185°F)

**Operating Temp:** 0 to 65°C  
(32 to 149°F)

**Vibration (Sinusoidal Frequency):**

10 to 50 Hz: 1 to 10 g rms  
linear amplitude

50 Hz to 1 kHz: 10 g rms amplitude

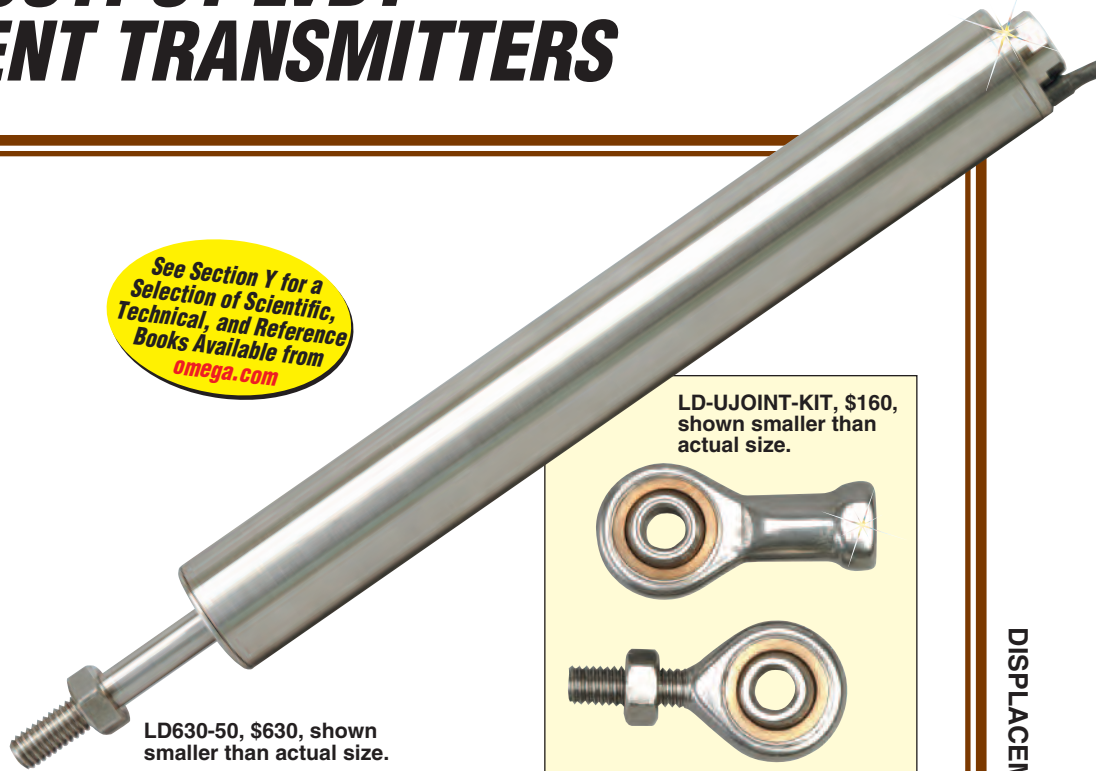
**Shock:**

Drop Testing: 1 m (3') onto  
hard surface

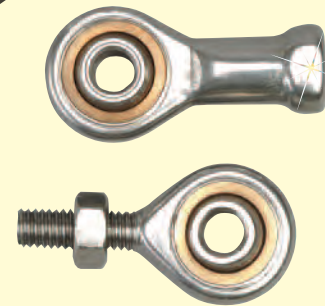
Topple Testing: 10 times each end  
onto hard surface

**Cable:** PFA, 2 m (6') long

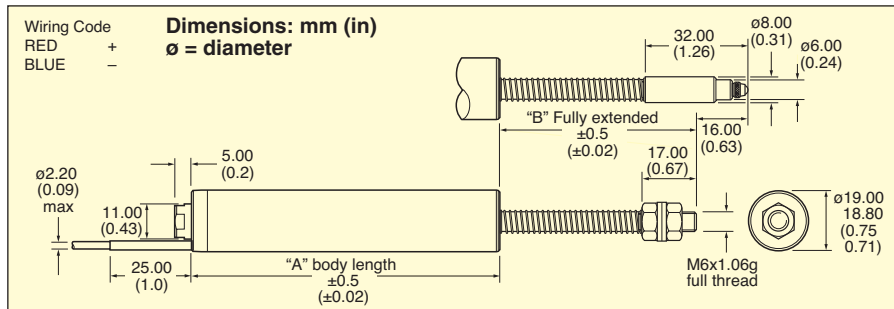
**Core Material:** Nickel-iron



LD-UJOINT-KIT, \$160,  
shown smaller than  
actual size.



LD630-50, \$630, shown  
smaller than actual size.



**MOST POPULAR MODELS HIGHLIGHTED!**

### To Order (Specify Model Number)

MODEL NO.	PRICE	RANGE: mm (in)	"A" DIM mm (in)	"B" DIM mm (in)
LD630-5	\$495	0 to 5 (0 to 0.2)	94.0 (3.7)	35.3 (1.4)
LD630-10	535	0 to 10 (0 to 0.4)	113.5 (4.5)	46.3 (1.8)
LD630-15	540	0 to 15 (0 to 0.6)	120.7 (4.8)	50.3 (2.0)
LD630-20	570	0 to 20 (0 to 0.8)	135.0 (5.3)	61.3 (2.4)
LD630-30	600	0 to 30 (0 to 1.2)	149.4 (5.9)	79.3 (3.1)
LD630-50	630	0 to 50 (0 to 2.0)	170.9 (6.7)	102.3 (4.0)
LD630-100	665	0 to 100 (0 to 3.9)	228.5 (9.0)	160.3 (6.3)
LD630-150	730	0 to 150 (0 to 5.9)	278.7 (11.0)	231.3 (9.1)
LD630-200	760	0 to 200 (0 to 7.9)	336.2 (13.2)	291.2 (11.5)
LD630-300	830	0 to 300 (0 to 11.8)	450.9 (17.8)	457.3 (18.0)

To order reverse-acting version (20 to 4 mA), add suffix "-R" to model number,  
no additional charge.

**Ordering Example:** LD630-10-R, 0 to 10 mm (0 to 0.4") displacement transmitter with reverse  
20 to 4 mA output, \$535.

### ACCESSORIES

MODEL NO.	PRICE	DESCRIPTION
LD-TIP	\$50	Tip adaptor/ball tip
LD-UJOINT-KIT	160	U-joint retro fit kit



#### UNITED STATES

[www.omega.com](http://www.omega.com)  
1-800-TC-OMEGA  
Stamford, CT.

#### CANADA

[www.omega.ca](http://www.omega.ca)  
Laval(Quebec)  
1-800-TC-OMEGA

#### GERMANY

[www.omega.de](http://www.omega.de)  
Deckenpfronn, Germany  
0800-8266342

#### UNITED KINGDOM

[www.omega.co.uk](http://www.omega.co.uk)  
Manchester, England  
0800-488-488

#### FRANCE

[www.omega.fr](http://www.omega.fr)  
Guyancourt, France  
088-466-342

#### CZECH REPUBLIC

[www.omegaeng.cz](http://www.omegaeng.cz)  
Karviná, Czech Republic  
596-311-899

#### BENELUX

[www.omega.nl](http://www.omega.nl)  
Amstelveen, NL  
0800-099-33-44



## More than 100,000 Products Available!

### • Temperature

Calibrators, Connectors, General Test and Measurement Instruments, Glass Bulb Thermometers, Handheld Instruments for Temperature Measurement, Ice Point References, Indicating Labels, Crayons, Cements and Lacquers, Infrared Temperature Measurement Instruments, Recorders Relative Humidity Measurement Instruments, RTD Probes, Elements and Assemblies, Temperature & Process Meters, Timers and Counters, Temperature and Process Controllers and Power Switching Devices, Thermistor Elements, Probes and Assemblies, Thermocouples Thermowells and Head and Well Assemblies, Transmitters, Wire

### • Flow and Level

Air Velocity Indicators, Doppler Flowmeters, Level Measurement, Magnetic Flowmeters, Mass Flowmeters, Pitot Tubes, Pumps, Rotameters, Turbine and Paddle Wheel Flowmeters, Ultrasonic Flowmeters, Valves, Variable Area Flowmeters, Vortex Shedding Flowmeters

### • pH and Conductivity

Conductivity Instrumentation, Dissolved Oxygen Instrumentation, Environmental Instrumentation, pH Electrodes and Instruments, Water and Soil Analysis Instrumentation

### • Data Acquisition

Auto-Dialers and Alarm Monitoring Systems, Communication Products and Converters, Data Acquisition and Analysis Software, Data Loggers Plug-in Cards, Signal Conditioners, USB, RS232, RS485 and Parallel Port Data Acquisition Systems, Wireless Transmitters and Receivers

### • Pressure, Strain and Force

Displacement Transducers, Dynamic Measurement Force Sensors, Instrumentation for Pressure and Strain Measurements, Load Cells, Pressure Gauges, Pressure Reference Section, Pressure Switches, Pressure Transducers, Proximity Transducers, Regulators, Strain Gages, Torque Transducers, Valves

### • Heaters

Band Heaters, Cartridge Heaters, Circulation Heaters, Comfort Heaters, Controllers, Meters and Switching Devices, Flexible Heaters, General Test and Measurement Instruments, Heater Hook-up Wire, Heating Cable Systems, Immersion Heaters, Process Air and Duct, Heaters, Radiant Heaters, Strip Heaters, Tubular Heaters