

COMMERCIAL-GRADE GAUGES TYPE C

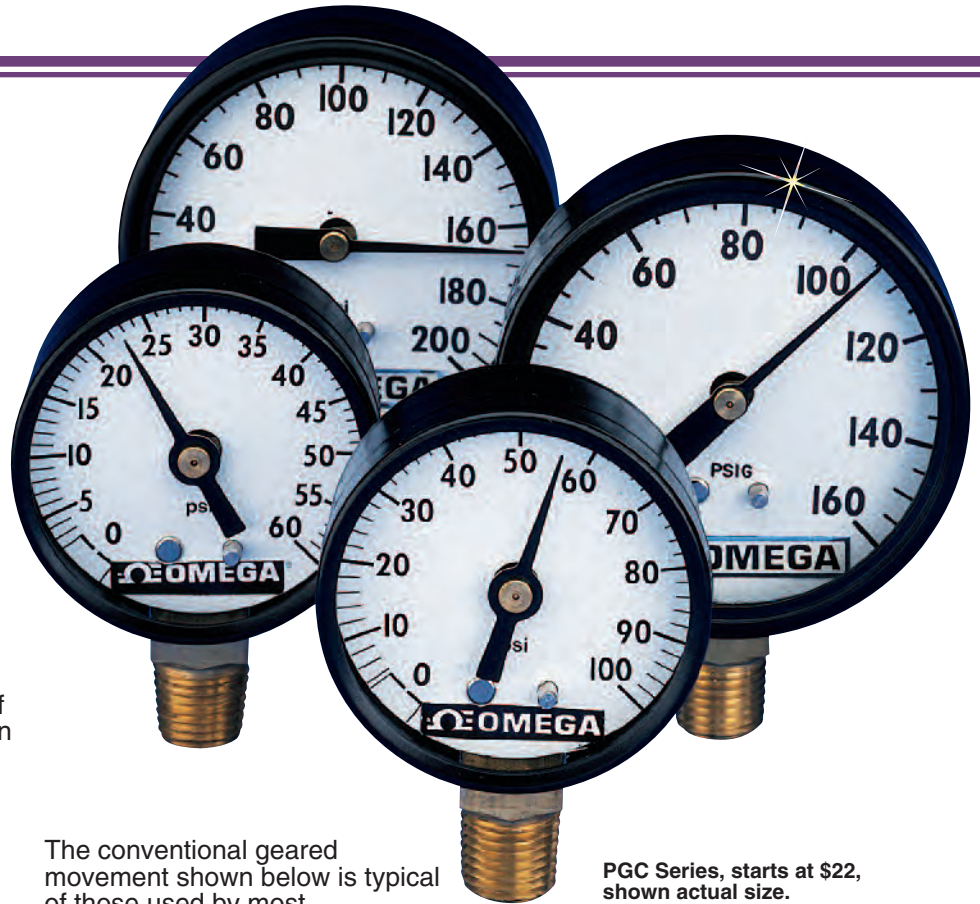
PGC Series

Starts at
\$22



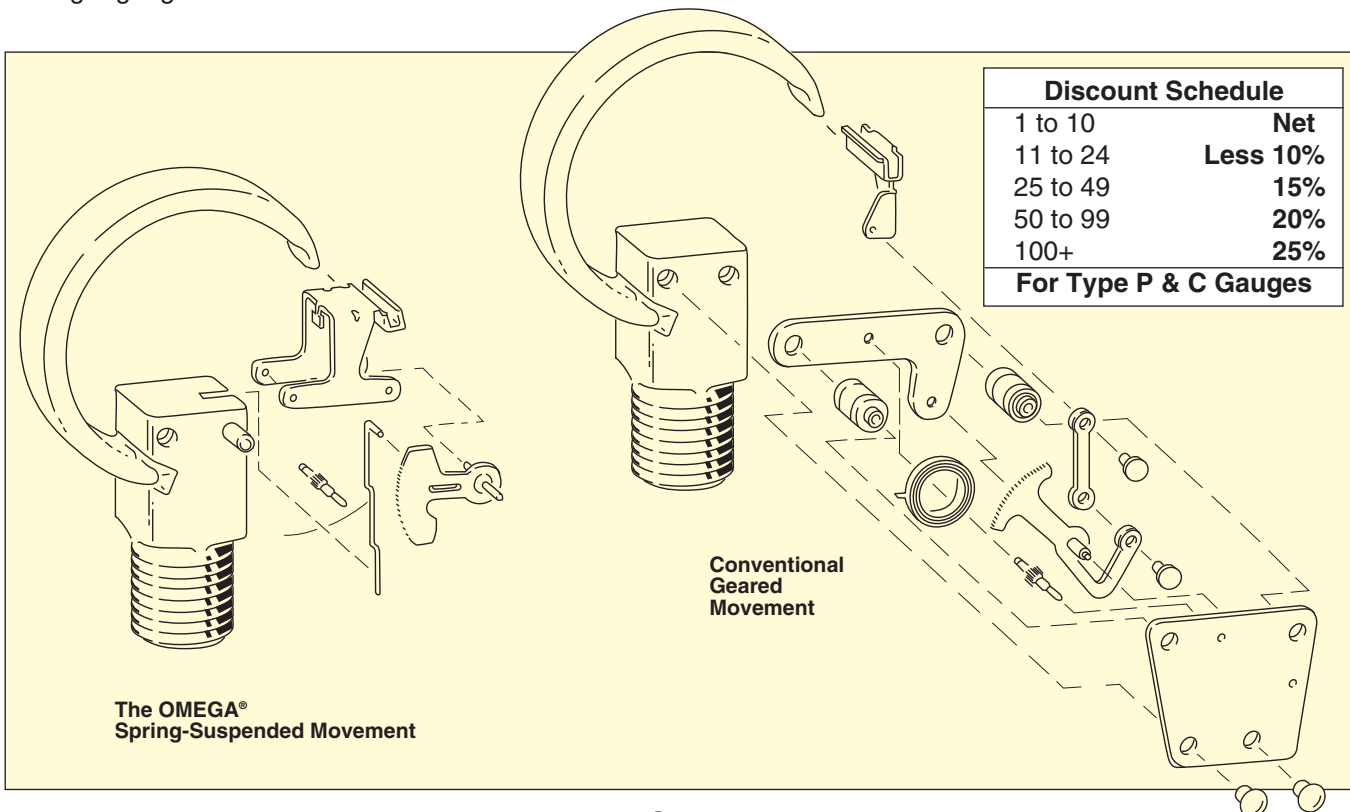
- ✓ Economically Priced
- ✓ Long-Lasting Movement
- ✓ Durable Construction
- ✓ Stocked Ranges for Fast Delivery

The OMEGA® spring-suspended movement represents the design of the future. Wearing parts have been reduced to a minimum. The entire movement is suspended between 2 springs, the Bourdon tube above and the link below. For the user, this means greater resistance to mechanical shock and vibration. This increased resistance to the effects of rough usage contributes to longer gauge life.



The conventional geared movement shown below is typical of those used by most manufacturers of commercial pressure gauges.

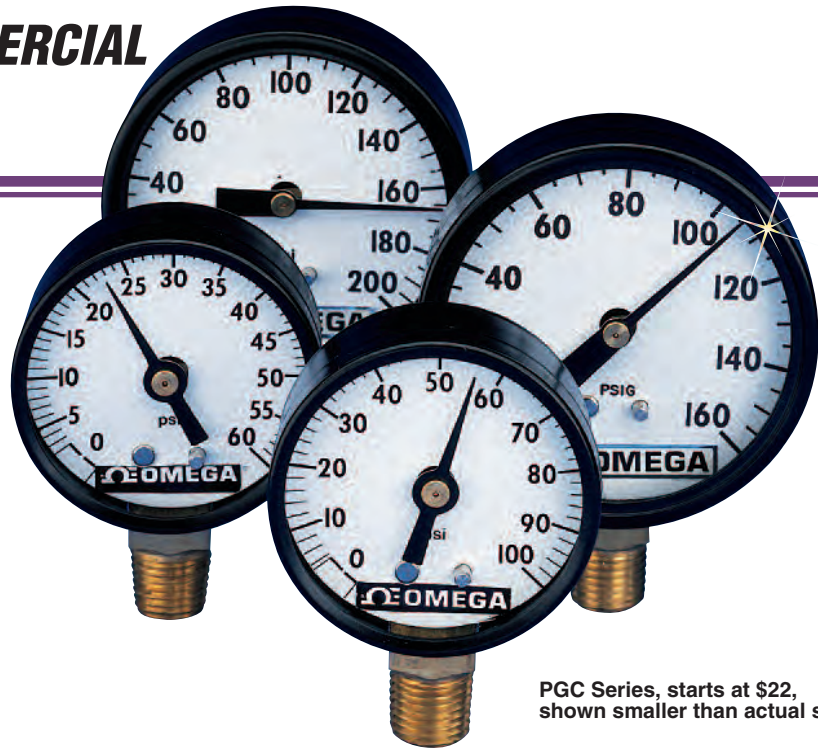
PGC Series, starts at \$22, shown actual size.



HOW TO ORDER COMMERCIAL GRADE GAUGES

Standard Case

The high reliability of the OMEGA® commercial gauge line is chiefly attributable to the unique OMEGA® spring-suspended movement. The entire movement is suspended between 2 springs, the Bourdon tube above and the link below. Wearing parts have been reduced to a minimum. Movement parts are ultrasonically cleaned and lubricated with silicone oil to ensure long cycle life. The OMEGA® spring-suspended movement is largely resistant to shock, pulsation, and vibration. The result is longer gauge life. The numerous applications for OMEGA® commercial gauges include installation on pumps, portable compressors, industrial machinery, hydraulic and pneumatic systems, instrumentation, and pressurized vessels.



PGC Series, starts at \$22, shown smaller than actual size.

SPECIFICATIONS

Temperature: 66°C (150°F) max

Case: Painted steel

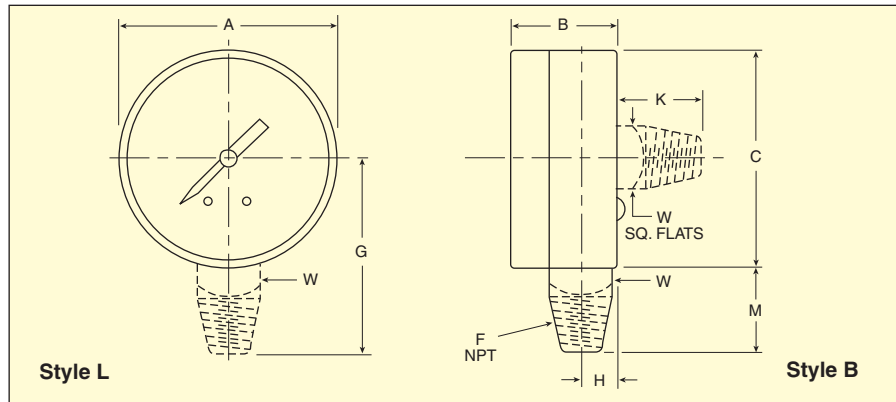
Window: Polycarbonate plastic

Bourdon Tube: Bronze

Connection: Brass ¼ NPT

Ranges: Vacuum to 600 psi

Accuracy: 3-2-3% (3% over first and last 10% of range, 2% over remainder)



STANDARD RANGES

RANGE CODE	RANGE
30V	30/0 inHg vac
30V/15	30 inHg vac to 15 psi
30V/30	30 inHg vac to 30 psi
30V/100	30 inHg vac to 100 psi
15	0 to 15 psi
30	0 to 30 psi
60	0 to 60 psi
100	0 to 100 psi
160	0 to 160 psi
300	0 to 300 psi
400	0 to 400 psi
600	0 to 600 psi

Dimensions: mm (in)

DIAL SIZE	A	B		C	F NPT	G	H	K	M	W	WT. (OZ)
		LOWER	BACK								
50.8 (2)	53 (2 ¹ / ₄)	27 (1 ³ / ₆₄)	26 (1 ¹ / ₃₂)	54 (2 ¹ / ₆₄)	¼	47 (1 ²⁷ / ₃₂)	10 (¾)	22 (¾)	20 (2 ⁵ / ₃₂)	14 (9 ¹ / ₁₆)	4½
63.5 (2½)	69 (2 ²³ / ₃₂)	29 (1 ¹ / ₈)	29 (1 ¹ / ₈)	68 (2 ¹¹ / ₁₆)	¼	55 (2 ⁵ / ₃₂)	10 (¾)	22 (¾)	20 (2 ⁵ / ₃₂)	14 (9 ¹ / ₁₆)	6

AVAILABLE FOR FAST DELIVERY!

DIAL SIZE	MODEL NO.	CONNECTION	PRICE
2"	PGC-20L-[*]	Lower	\$22
	PGC-20B-[*]	Back	25
2½"	PGC-25L-[*]	Lower	25
	PGC-25B-[*]	Back	27

[*] Insert range code from Standard Ranges table. Other standard ranges available; see pages G-37 to G-40.

Ordering Example: PGC-20B-30, commercial pressure gauge with 2" dial, back connection and 0/30 psi range, \$25.

Recommended Reference Book: Pocket Reference, GE-1600, \$15.
Visit omega.com/bobi for Additional Books





UNITED STATES

www.omega.com
1-800-TC-OMEGA
Stamford, CT.

CANADA

www.omega.ca
Laval(Quebec)
1-800-TC-OMEGA

GERMANY

www.omega.de
Deckenpfronn, Germany
0800-8266342

UNITED KINGDOM

www.omega.co.uk
Manchester, England
0800-488-488

FRANCE

www.omega.fr
Guyancourt, France
088-466-342

CZECH REPUBLIC

www.omegaeng.cz
Karviná, Czech Republic
596-311-899

BENELUX

www.omega.nl
Amstelveen, NL
0800-099-33-44



More than 100,000 Products Available!

• Temperature

Calibrators, Connectors, General Test and Measurement Instruments, Glass Bulb Thermometers, Handheld Instruments for Temperature Measurement, Ice Point References, Indicating Labels, Crayons, Cements and Lacquers, Infrared Temperature Measurement Instruments, Recorders Relative Humidity Measurement Instruments, RTD Probes, Elements and Assemblies, Temperature & Process Meters, Timers and Counters, Temperature and Process Controllers and Power Switching Devices, Thermistor Elements, Probes and Assemblies, Thermocouples Thermowells and Head and Well Assemblies, Transmitters, Wire

• Flow and Level

Air Velocity Indicators, Doppler Flowmeters, Level Measurement, Magnetic Flowmeters, Mass Flowmeters, Pitot Tubes, Pumps, Rotameters, Turbine and Paddle Wheel Flowmeters, Ultrasonic Flowmeters, Valves, Variable Area Flowmeters, Vortex Shedding Flowmeters

• pH and Conductivity

Conductivity Instrumentation, Dissolved Oxygen Instrumentation, Environmental Instrumentation, pH Electrodes and Instruments, Water and Soil Analysis Instrumentation

• Data Acquisition

Auto-Dialers and Alarm Monitoring Systems, Communication Products and Converters, Data Acquisition and Analysis Software, Data Loggers Plug-in Cards, Signal Conditioners, USB, RS232, RS485 and Parallel Port Data Acquisition Systems, Wireless Transmitters and Receivers

• Pressure, Strain and Force

Displacement Transducers, Dynamic Measurement Force Sensors, Instrumentation for Pressure and Strain Measurements, Load Cells, Pressure Gauges, Pressure Reference Section, Pressure Switches, Pressure Transducers, Proximity Transducers, Regulators, Strain Gages, Torque Transducers, Valves

• Heaters

Band Heaters, Cartridge Heaters, Circulation Heaters, Comfort Heaters, Controllers, Meters and Switching Devices, Flexible Heaters, General Test and Measurement Instruments, Heater Hook-up Wire, Heating Cable Systems, Immersion Heaters, Process Air and Duct, Heaters, Radiant Heaters, Strip Heaters, Tubular Heaters