

# INDUSTRIAL PROCESS GAUGES

## TYPES H AND J, 4½ AND 6" DIALS

**PGH Series  
PGJ Series**

Starts at  
**\$170**



**Now  
Hermetically  
Sealed!**

- ✓ 0.5% FS Accuracy
- ✓ PGH Gauge Ranges from 15 to 20,000 psi
- ✓ Double-Strength Shatter-Resistant Glass
- ✓ Heavy-Duty 316 SS Wetted Parts
- ✓ Easily Adjustable, Self-Locking Micrometer Dial
- ✓ PTFE-Coated SS Movement for Long-Lasting Accuracy
- ✓ Solid Front with Blowout Back
- ✓ Fully Temperature Compensated



### SPECIFICATIONS

Dial Arc: 270°

Case: Lower connection, black phenol; back connection, aluminum

Window: Double-strength glass

Bourdon Tube: 316 SS

Connection: ½ MNPT 316 SS

Mounting: Stem, flush or surface

Operating Temperature: 121°C (250°F) max



PGH-45L-100, \$170, shown smaller than actual size, see dimensions on next page.

PGJ-45B-100, \$235, shown smaller than actual size.

**MOST POPULAR  
MODELS HIGHLIGHTED!**

| STANDARD psi RANGES |         |                 |             |
|---------------------|---------|-----------------|-------------|
| RANGE CODE          | RANGE   | FIGURE INTERVAL | MINOR GRAD. |
| 15                  | 0/15    | 1               | 0.1         |
| 30                  | 0/30    | 5               | 0.2         |
| 60                  | 0/60    | 5               | 0.5         |
| 100                 | 0/100   | 10              | 1           |
| 160                 | 0/160   | 20              | 1           |
| 200                 | 0/200   | 20              | 2           |
| 300                 | 0/300   | 50              | 2           |
| 400                 | 0/400   | 50              | 5           |
| 600                 | 0/600   | 50              | 5           |
| 800                 | 0/800   | 100             | 10          |
| 1000                | 0/1000  | 100             | 10          |
| 1500                | 0/1500  | 200             | 10          |
| 2000                | 0/2000  | 200             | 20          |
| 3000                | 0/3000  | 500             | 20          |
| 5000                | 0/5000  | 500             | 50          |
| 10,000              | 0/10000 | 1000            | 100         |
| 20,000              | 0/20000 | 2000            | 200         |

### To Order (Specify Model Number)

| DIAL DIA. (in)      | MODEL NO.   | CONNECTION | VACUUM TO 1000 psi | 1500 THROUGH 10,000 psi | 15,000 AND 20,000 psi |
|---------------------|-------------|------------|--------------------|-------------------------|-----------------------|
| 4½                  | PGH-45L-[*] | Lower      | \$170              | \$205                   | \$310                 |
| 4½                  | PGH-45B-[*] | Back       | 170                | 205                     | 310                   |
| FLUSH ALUMINUM CASE |             |            |                    |                         |                       |
| 4½                  | PGJ-45B-[*] | Back       | \$235              | \$260                   | \$385                 |
| 6                   | PGJ-60B-[*] | Back       | 340                | 370                     | 495                   |

\* Insert range code from table at right.

Ordering Example: PGJ-45B-100, 4½" 100 psi style PGJ gauge with a back connection, \$235.

For silicone fill option, add suffix "-F" to model number and add \$65 (available on PGH models only). For oxygen-service cleaning option, add suffix "-X6B" to model number and add \$65. Customized dial (5-piece minimum order per dial) requires \$125 setup fee.

# INDUSTRIAL PROCESS GAUGES

| SPECIAL RANGES COMPOUND |                   | FIGURE INTERVAL |     | MINOR GRADUATION |     |
|-------------------------|-------------------|-----------------|-----|------------------|-----|
| RANGE CODE              | RANGE             | INCHES MERCURY  | psi | INCHES MERCURY   | psi |
| 30V15                   | 30 inHg/0/15 psi  | 5               | 3   | 0.5              | 0.2 |
| 30V30                   | 30 inHg/0/30 psi  | 10              | 5   | 1                | 0.5 |
| 30V60                   | 30 inHg/0/60 psi  | 10              | 10  | 1                | 1   |
| 30V100                  | 30 inHg/0/100 psi | 10              | 10  | 2                | 1   |
| 30V150                  | 30 inHg/0/150 psi | 10              | 20  | 5                | 2   |
| 30V300                  | 30 inHg/0/300 psi | 30              | 25  | 5                | 2   |

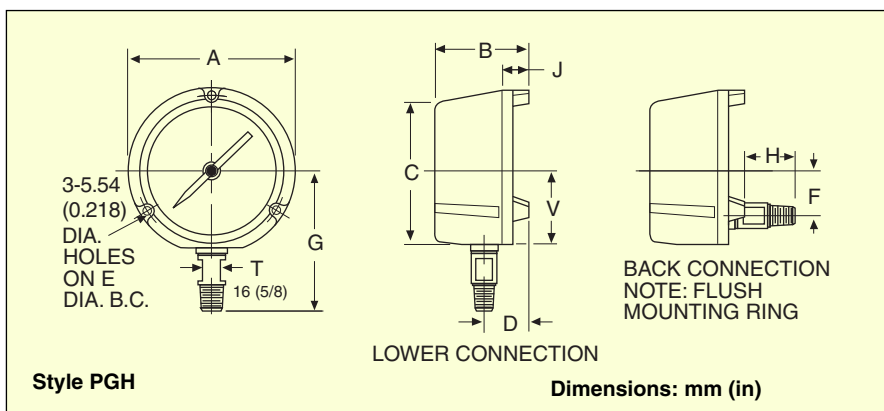
| COMBINATION |                 |                       |                 |            |                  |            |
|-------------|-----------------|-----------------------|-----------------|------------|------------------|------------|
| RANGE CODE  | RANGE           |                       | FIGURE INTERVAL |            | MINOR GRADUATION |            |
|             | INNER SCALE psi | OUTER SCALE FT. WATER | psi             | FEET WATER | psi              | FEET WATER |
| 15/34       | 0/15            | 0/34                  | 3               | 5          | 0.5              | 0.5        |
| 30/70       | 0/30            | 0/70                  | 5               | 10         | 0.5              | 1          |
| 60/140      | 0/60            | 0/140                 | 5               | 20         | 0.5              | 5          |
| 100/230     | 0/100           | 0/230                 | 10              | 20         | 1                | 2          |
| 160/370     | 0/160           | 0/370                 | 20              | 50         | 2                | 5          |
| 200/480     | 0/200           | 0/480                 | 20              | 50         | 5                | 5          |
| 300/690     | 0/300           | 0/690                 | 25              | 100        | 5                | 10         |



PGJ-45B-100, \$235, shown smaller than actual size.

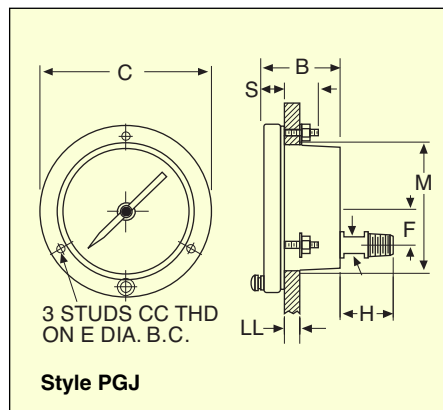


PGH-45L-100, \$170, shown smaller than actual size, see dimensions below.



Style PGH—Dimensions: mm (in)

| DIAL SIZE (in) | A   | B                                      | C  | D                                      | E                                       | F                                      | G<br>½ NPT                               | H<br>MAX                               | J                                       | V                                      | WT<br>kg (lb)                           |
|----------------|---|--|--|--|---|--|--|--|---|--|---|
| 4½             | 148<br>(5 <sup>13</sup> / <sub>16</sub> ) | 86<br>(3 <sup>3</sup> / <sub>8</sub> ) | 129<br>(5 <sup>1</sup> / <sub>16</sub> ) | 41<br>(1 <sup>5</sup> / <sub>8</sub> ) | 137<br>(5 <sup>3</sup> / <sub>8</sub> ) | 41<br>(1 <sup>5</sup> / <sub>8</sub> ) | 103<br>(4 <sup>7</sup> / <sub>16</sub> ) | 29<br>(1 <sup>1</sup> / <sub>8</sub> ) | 24<br>(1 <sup>5</sup> / <sub>16</sub> ) | 67<br>(2 <sup>5</sup> / <sub>8</sub> ) | 1.6<br>(3 <sup>1</sup> / <sub>2</sub> ) |



| VACUUM RANGES |                |                 |             |
|---------------|----------------|-----------------|-------------|
| RANGE CODE    | RANGE          | FIGURE INTERVAL | MINOR GRAD. |
| 30V           | 30/0 In. Merc. | 5 inches        | 0.2 inch    |
| 34V           | 34/0 Ft. Water | 5 feet          | 0.5 foot    |

Style PGJ—Dimensions: mm (in)

| DIAL SIZE (in) | B                                       | C  | E                                       | F                                      | H<br>MAX                               | M                                       | S                                       | CC     | LL  | WT<br>kg (lb)                           |
|----------------|---|--|---|--|--|---|---|--------|---|---|
| 4½             | 65<br>(2 <sup>9</sup> / <sub>16</sub> ) | 154<br>(6 <sup>1</sup> / <sub>16</sub> ) | 137<br>(5 <sup>3</sup> / <sub>8</sub> ) | 41<br>(1 <sup>5</sup> / <sub>8</sub> ) | 48<br>(1 <sup>7</sup> / <sub>8</sub> ) | 124<br>(4 <sup>7</sup> / <sub>8</sub> ) | 16<br>(5 <sup>8</sup> / <sub>16</sub> ) | #10-24 | 3-13<br>(1 <sup>1</sup> / <sub>8</sub> -1 <sup>1</sup> / <sub>2</sub> ) | 1.2<br>(2 <sup>3</sup> / <sub>4</sub> ) |
| 6              |   | 192<br>(7 <sup>9</sup> / <sub>16</sub> ) | 178<br>(7)                              | 54<br>(2 <sup>1</sup> / <sub>8</sub> ) |  | 165<br>(6 <sup>1</sup> / <sub>2</sub> ) |   |        |   | 1.4<br>(3)                              |



#### UNITED STATES

[www.omega.com](http://www.omega.com)  
1-800-TC-OMEGA  
Stamford, CT.

#### CANADA

[www.omega.ca](http://www.omega.ca)  
Laval(Quebec)  
1-800-TC-OMEGA

#### GERMANY

[www.omega.de](http://www.omega.de)  
Deckenpfronn, Germany  
0800-8266342

#### UNITED KINGDOM

[www.omega.co.uk](http://www.omega.co.uk)  
Manchester, England  
0800-488-488

#### FRANCE

[www.omega.fr](http://www.omega.fr)  
Guyancourt, France  
088-466-342

#### CZECH REPUBLIC

[www.omegaeng.cz](http://www.omegaeng.cz)  
Karviná, Czech Republic  
596-311-899

#### BENELUX

[www.omega.nl](http://www.omega.nl)  
Amstelveen, NL  
0800-099-33-44



## More than 100,000 Products Available!

### • Temperature

Calibrators, Connectors, General Test and Measurement Instruments, Glass Bulb Thermometers, Handheld Instruments for Temperature Measurement, Ice Point References, Indicating Labels, Crayons, Cements and Lacquers, Infrared Temperature Measurement Instruments, Recorders Relative Humidity Measurement Instruments, RTD Probes, Elements and Assemblies, Temperature & Process Meters, Timers and Counters, Temperature and Process Controllers and Power Switching Devices, Thermistor Elements, Probes and Assemblies, Thermocouples Thermowells and Head and Well Assemblies, Transmitters, Wire

### • Flow and Level

Air Velocity Indicators, Doppler Flowmeters, Level Measurement, Magnetic Flowmeters, Mass Flowmeters, Pitot Tubes, Pumps, Rotameters, Turbine and Paddle Wheel Flowmeters, Ultrasonic Flowmeters, Valves, Variable Area Flowmeters, Vortex Shedding Flowmeters

### • pH and Conductivity

Conductivity Instrumentation, Dissolved Oxygen Instrumentation, Environmental Instrumentation, pH Electrodes and Instruments, Water and Soil Analysis Instrumentation

### • Data Acquisition

Auto-Dialers and Alarm Monitoring Systems, Communication Products and Converters, Data Acquisition and Analysis Software, Data Loggers Plug-in Cards, Signal Conditioners, USB, RS232, RS485 and Parallel Port Data Acquisition Systems, Wireless Transmitters and Receivers

### • Pressure, Strain and Force

Displacement Transducers, Dynamic Measurement Force Sensors, Instrumentation for Pressure and Strain Measurements, Load Cells, Pressure Gauges, Pressure Reference Section, Pressure Switches, Pressure Transducers, Proximity Transducers, Regulators, Strain Gages, Torque Transducers, Valves

### • Heaters

Band Heaters, Cartridge Heaters, Circulation Heaters, Comfort Heaters, Controllers, Meters and Switching Devices, Flexible Heaters, General Test and Measurement Instruments, Heater Hook-up Wire, Heating Cable Systems, Immersion Heaters, Process Air and Duct, Heaters, Radiant Heaters, Strip Heaters, Tubular Heaters