

STAINLESS STEEL INDUSTRIAL PRESSURE GAUGES LIQUID-FILLABLE

PGM Series

- ✓ Dual Scales in psi and bar
- ✓ 63 mm (2½") and 100 mm (4") Diameters
- ✓ Back- or Lower-Mount Fittings
- ✓ All Stainless Steel Construction
- ✓ Liquid Fillable in the Field
- ✓ NEMA 4 (IP65) Protection

Starts at
\$65

**Heavy-Duty,
High
Performance!**

**See Page G-54 for
Ordering Information**



PGM-63B-1000PSI/70BAR,
with lower-mount fitting,
\$70, shown actual size.



PGM-100L-100PSI/7BAR,
with lower-mount fitting,
\$90, shown actual size.

LIQUID-FILLABLE INDUSTRIAL PRESSURE GAUGES

OMEGA's PGM Series gauges are suitable for corrosive processing environments in chemical, petrochemical refining, power, marine, food and pharmaceutical applications. The PGM Series comes in a 63 mm (2.5") or 100 mm (4") case, features all stainless steel construction, and is environmentally protected to NEMA 4 (IP65) standards.

The PGM Series can also be liquid-filled in the field. Liquid-filled pressure gauges provide users with a number of advantages in certain applications. They are ideal for equipment with excessive vibration and pulsation, such as pumps, compressors, and machine tools. The liquid fill minimizes the effects of these severe environments, protects the gauge internals, and provides continuous lubrication in the mechanism, adding up to extended service life. Liquid filling also provides greater protection of the gauge internals from corrosive atmospheres. Gauges can be filled with a variety of fluids, including glycerin, mineral oil, and silicone oil.



PGM-100L-100PSI/7BAR, \$90, shown smaller than actual size.

PGM-63B-1000PSI/70BAR, \$70, shown smaller than actual size.

SPECIFICATIONS

Accuracy: 63 mm $\pm 1.6\%$ of span, 100 mm $\pm 1\%$ of span (per DIN 16 005)

Working Pressure: 75% of full scale

Overrange Protection: 130% of full scale

Ambient Temp Range: -40 to 60°C (-40 to 140°F)

Process Temp Range: -20 to 80°C (-4 to 176°F)

Degree of Protection: NEMA 4 (IP65)

Element: 316 SS

Window:

63 mm (2.5"): Polycarbonate

100 mm (4"): Laminated safety glass

Dial: White aluminum with black lettering

Pointer: Aluminum alloy, black painted

Case and Bezel Ring: 304 SS

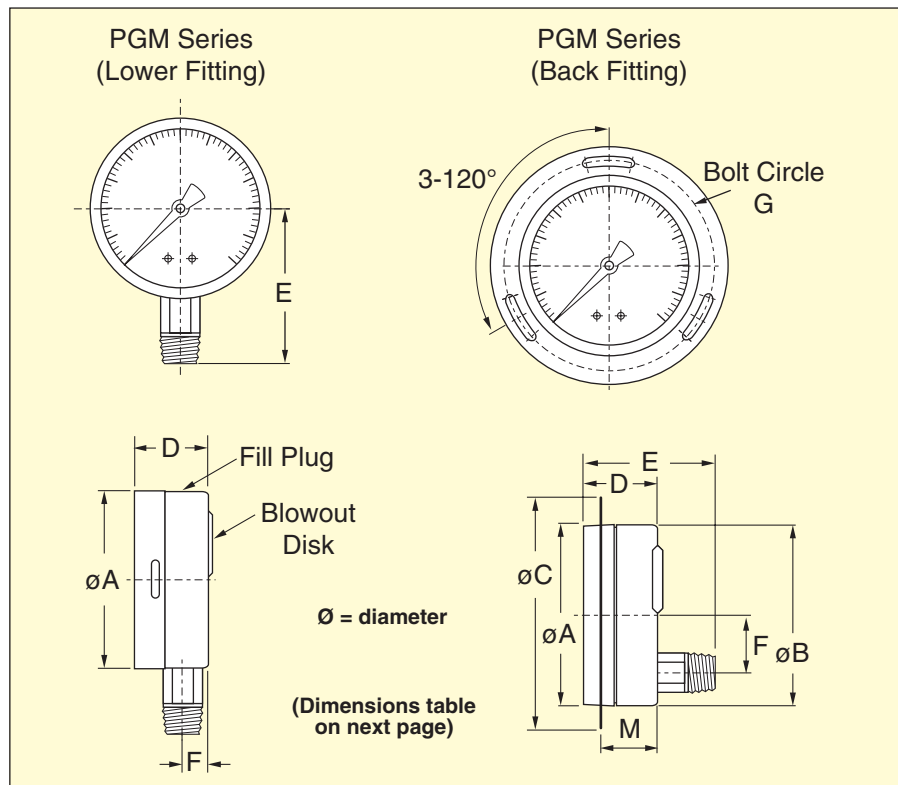
Movement: 304 SS

Pressure Connection: 316 SS, 1/4 MNPT on 63 mm (2.5"), 1/2 MNPT on 100 mm (4")

Blowout Protection:

63 mm (2.5"): Top-mounted rubber disc

100 mm (4"): Back-mounted rubber disc



HOW TO ORDER PGM SERIES GAUGES

MOST POPULAR RANGES HIGHLIGHTED!

STANDARD RANGES		
RANGE CODE	INNER SCALE (psi)	OUTER SCALE (bar)
30V/-1BAR	30 inHg vac to 0	-1 to 0
30V15/-1/1BAR	30 inHg vac to 15	-1 to 1
30V30/-1/2BAR	30 inHg vac to 30	-1 to 2
30V60/-1/4BAR	30 inHg vac to 60	-1 to 4
30V100/-1/7BAR	30 inHg vac to 100	-1 to 7
30V150/-1/10BAR	30 inHg vac to 150	-1 to 10
15PSI/1BAR	0 to 15	0 to 1
30PSI/2BAR	0 to 30	0 to 2
60PSI/4BAR	0 to 60	0 to 4
100PSI/7BAR	0 to 100	0 to 7
160PSI/11BAR	0 to 160	0 to 11
200PSI/14BAR	0 to 200	0 to 14
300PSI/20BAR	0 to 300	0 to 20
400PSI/28BAR	0 to 400	0 to 28
600PSI/40BAR	0 to 600	0 to 40
800PSI/55BAR	0 to 800	0 to 55
1000PSI/70BAR	0 to 1000	0 to 70
1500PSI/100BAR	0 to 1500	0 to 100
2000PSI/140BAR	0 to 2000	0 to 140
2300PSI/160BAR	0 to 2300	0 to 160
3000PSI/200BAR	0 to 3000	0 to 200
3500PSI/250BAR	0 to 3500	0 to 250
5000PSI/350BAR	0 to 5000	0 to 350
6000PSI/400BAR	0 to 6000	0 to 400
10000PSI/700BAR	0 to 10000	0 to 700
11600PSI/800BAR	0 to 11600	0 to 800



PGM-100L-100PSI/7BAR, with lower mount fitting, \$90, shown smaller than actual size.



PGM-63B-1000PSI/70BAR, with flange mount and back fitting, \$70, shown smaller than actual size.

Dimensions: mm (in)

DIAL SIZE	FITTING	A	B	C	D	E	F	G	M
63 mm (2½")	Lower mount	63.7 (2.51)	—	—	33.0 (1.30)	55.7 (2.19)	11.0 (0.44)	—	—
63 mm (2½")	Flange mount	63.7 (2.51)	66.2 (2.61)	86.0 (3.39)	33.0 (1.30)	57.0 (2.24)	13.0 (0.51)	75.0 (2.95)	28.0 (1.10)
100 mm (4")	Lower mount	101.3 (3.99)	—	—	50.0 (1.97)	83.0 (3.27)	29.0 (0.63)	—	—
100 mm (4")	Flange mount	101.3 (3.99)	103.1 (4.06)	131.0 (5.16)	50.0 (1.97)	83.0 (3.27)	29.0 (1.14)	116.0 (4.57)	45.0 (1.77)

MOST POPULAR MODELS HIGHLIGHTED!

To Order (Specify Model Number)

MODEL NO.	PRICE ≤1000 psi	PRICE >1000 psi	DIAL SIZE mm (in)	CONNECTION
PGM-63L-[*]	\$65	\$65	63 (2½)	¼ NPT lower
PGM-63B-[*]	70	70	63 (2½)	¼ NPT back
PGM-100L-[*]	90	90	100 (4)	½ NPT lower
PGM-100B-[*]	110	115	100 (4)	½ NPT back

[*] Insert range code from Standard Ranges table.

Ordering Examples: PGM-63B-15PSI/1BAR, 63 mm (2.5") gauge with a back fitting and scaled 0 to 15 psi and 0 to 1 bar, \$70.
PGM-100L-15PSI/1BAR, 100 mm (4") gauge with a lower fitting and scaled 0 to 15 psi and 0 to 1 bar, \$90.

Recommended Reference Book: Engineering Formulas, GE-2383, \$35. Visit omega.com/bobi for Additional Books





UNITED STATES

www.omega.com
1-800-TC-OMEGA
Stamford, CT.

CANADA

www.omega.ca
Laval(Quebec)
1-800-TC-OMEGA

GERMANY

www.omega.de
Deckenpfronn, Germany
0800-8266342

UNITED KINGDOM

www.omega.co.uk
Manchester, England
0800-488-488

FRANCE

www.omega.fr
Guyancourt, France
088-466-342

CZECH REPUBLIC

www.omegaeng.cz
Karviná, Czech Republic
596-311-899

BENELUX

www.omega.nl
Amstelveen, NL
0800-099-33-44



More than 100,000 Products Available!

• Temperature

Calibrators, Connectors, General Test and Measurement Instruments, Glass Bulb Thermometers, Handheld Instruments for Temperature Measurement, Ice Point References, Indicating Labels, Crayons, Cements and Lacquers, Infrared Temperature Measurement Instruments, Recorders Relative Humidity Measurement Instruments, RTD Probes, Elements and Assemblies, Temperature & Process Meters, Timers and Counters, Temperature and Process Controllers and Power Switching Devices, Thermistor Elements, Probes and Assemblies, Thermocouples Thermowells and Head and Well Assemblies, Transmitters, Wire

• Flow and Level

Air Velocity Indicators, Doppler Flowmeters, Level Measurement, Magnetic Flowmeters, Mass Flowmeters, Pitot Tubes, Pumps, Rotameters, Turbine and Paddle Wheel Flowmeters, Ultrasonic Flowmeters, Valves, Variable Area Flowmeters, Vortex Shedding Flowmeters

• pH and Conductivity

Conductivity Instrumentation, Dissolved Oxygen Instrumentation, Environmental Instrumentation, pH Electrodes and Instruments, Water and Soil Analysis Instrumentation

• Data Acquisition

Auto-Dialers and Alarm Monitoring Systems, Communication Products and Converters, Data Acquisition and Analysis Software, Data Loggers Plug-in Cards, Signal Conditioners, USB, RS232, RS485 and Parallel Port Data Acquisition Systems, Wireless Transmitters and Receivers

• Pressure, Strain and Force

Displacement Transducers, Dynamic Measurement Force Sensors, Instrumentation for Pressure and Strain Measurements, Load Cells, Pressure Gauges, Pressure Reference Section, Pressure Switches, Pressure Transducers, Proximity Transducers, Regulators, Strain Gages, Torque Transducers, Valves

• Heaters

Band Heaters, Cartridge Heaters, Circulation Heaters, Comfort Heaters, Controllers, Meters and Switching Devices, Flexible Heaters, General Test and Measurement Instruments, Heater Hook-up Wire, Heating Cable Systems, Immersion Heaters, Process Air and Duct, Heaters, Radiant Heaters, Strip Heaters, Tubular Heaters