

OMEGA® COMMERCIAL PANEL GAUGES TYPE P

PGP Series

Panel
Mount Gauge
\$36

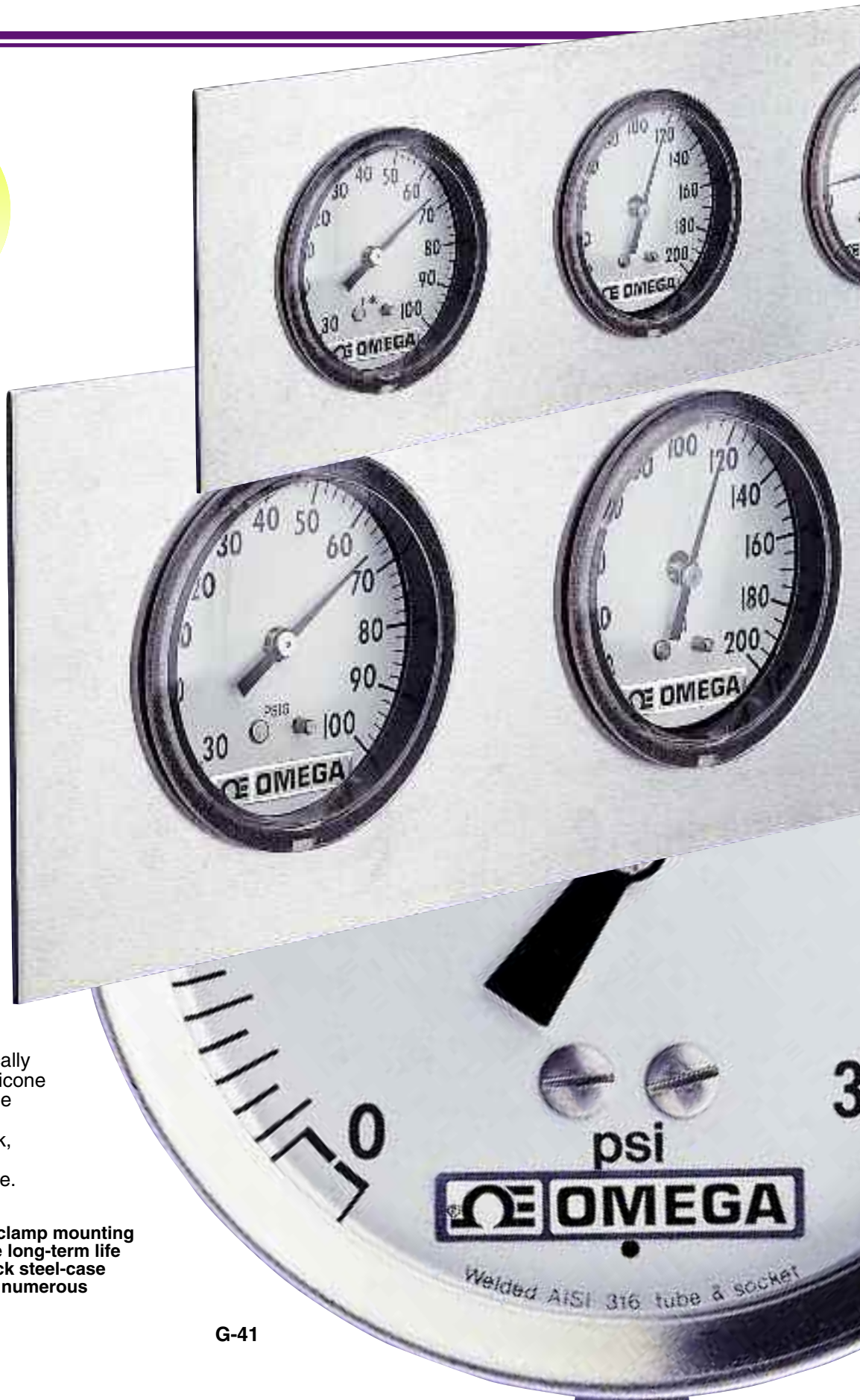


- ✓ Durable and Accurate Design
- ✓ U-Clamp Mount
- ✓ 2½" Dials
- ✓ For Use in a Wide Variety of Applications

OMEGA® panel gauges use a U-clamp mounting system. The attractive black-painted, steel-case gauges are designed for use on instrument panels, air conditioning equipment, air and gas dryers, machine tools, air compressors, pressure test stands, and a wide variety of other panel gauge applications. The panel gauges use the unique OMEGA® spring-suspended movement. The entire movement is suspended between 2 springs, with the Bourdon tube above and the link below. Wearing parts have been reduced to a minimum.

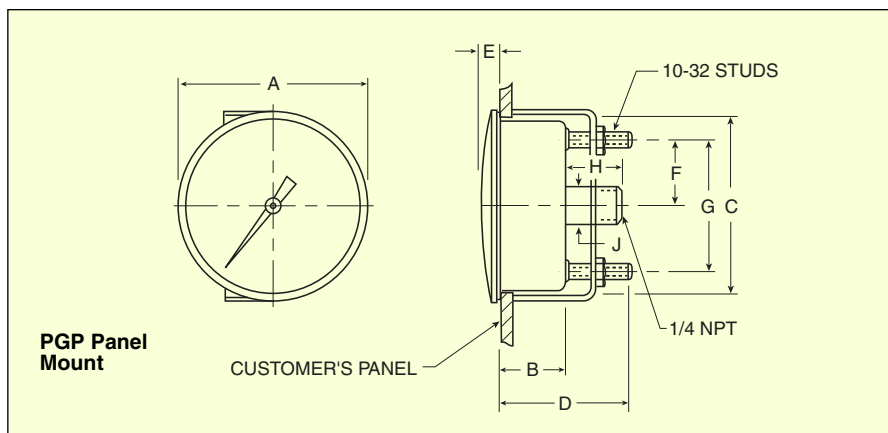
Movement parts are ultrasonically cleaned and lubricated with silicone oil to ensure long cycle life. The OMEGA® spring-suspended movement is resistant to shock, pulsation, and vibration, thus contributing to longer gauge life.

OMEGA® panel gauges, with U-clamp mounting system, are durable and feature long-term life and stability. The attractive black steel-case gauges are designed for use in numerous panel gauge applications.



HOW TO ORDER PANEL-MOUNT GAUGES

See Section Y for a Selection of Scientific, Technical, and Reference Books Available from omega.com



Dimensions: mm (in)

DIAL SIZE	A	B	C	D	E	F	G	H	J
63.5 (2½)	73 (2⅞)	25 (1)	68 (2⅞)	51 (2)	7 (⅞)	25 (1)	51 (2)	22 (⅞)	14 sq (⅞) sq

SPECIFICATIONS

Case: Painted steel
Window: Polycarbonate plastic
Bourdon Tube: Bronze
Connection: Back
Fitting: ¼ NPT brass
Dial Size: 2½" Dia.
Mounting: "U" bracket
Ranges: Vacuum through 400 psi
Accuracy: 3-2-3%
 3% first 10%, 2% middle 80%, 3% last 10%
Temperature: 66°C (150°F) max

Warning: To prevent misapplication, all gauge components should be chosen with an eye to the media and ambient operating conditions to which they will be subjected. Improper application can be detrimental to the gauge, causing failure and possible personal injury and property damage.

 MOST POPULAR RANGES HIGHLIGHTED!

RANGE CODE	RANGE
30V	30/0 inHg vac
30V/15	30 inHg vac to 15 psi
30V/30	30 inHg vac to 30 psi
30V/60	30 inHg vac to 60 psi
30V/100	30 inHg vac to 100 psi
30V/300	30 inHg vac to 300 psi
15	0 to 15 psi
30	0 to 30 psi
60	0 to 60 psi
100	0 to 100 psi
160	0 to 160 psi
200	0 to 200 psi
300	0 to 300 psi
400	0 to 400 psi

DIAL SIZE	MODEL NO.	CONNECTION	PRICE
2½"	PGP-25B-[*]	Back	\$36

* Insert range code from table above.

Ordering Example: PGP-25B-100, pressure gauge, commercial panel type, U-clamp mount, 2½" dial, back connection, 0 to 100 psi range, \$36.



UNITED STATES

www.omega.com
1-800-TC-OMEGA
Stamford, CT.

CANADA

www.omega.ca
Laval(Quebec)
1-800-TC-OMEGA

GERMANY

www.omega.de
Deckenpfronn, Germany
0800-8266342

UNITED KINGDOM

www.omega.co.uk
Manchester, England
0800-488-488

FRANCE

www.omega.fr
Guyancourt, France
088-466-342

CZECH REPUBLIC

www.omegaeng.cz
Karviná, Czech Republic
596-311-899

BENELUX

www.omega.nl
Amstelveen, NL
0800-099-33-44



More than 100,000 Products Available!

• Temperature

Calibrators, Connectors, General Test and Measurement Instruments, Glass Bulb Thermometers, Handheld Instruments for Temperature Measurement, Ice Point References, Indicating Labels, Crayons, Cements and Lacquers, Infrared Temperature Measurement Instruments, Recorders Relative Humidity Measurement Instruments, RTD Probes, Elements and Assemblies, Temperature & Process Meters, Timers and Counters, Temperature and Process Controllers and Power Switching Devices, Thermistor Elements, Probes and Assemblies, Thermocouples Thermowells and Head and Well Assemblies, Transmitters, Wire

• Flow and Level

Air Velocity Indicators, Doppler Flowmeters, Level Measurement, Magnetic Flowmeters, Mass Flowmeters, Pitot Tubes, Pumps, Rotameters, Turbine and Paddle Wheel Flowmeters, Ultrasonic Flowmeters, Valves, Variable Area Flowmeters, Vortex Shedding Flowmeters

• pH and Conductivity

Conductivity Instrumentation, Dissolved Oxygen Instrumentation, Environmental Instrumentation, pH Electrodes and Instruments, Water and Soil Analysis Instrumentation

• Data Acquisition

Auto-Dialers and Alarm Monitoring Systems, Communication Products and Converters, Data Acquisition and Analysis Software, Data Loggers Plug-in Cards, Signal Conditioners, USB, RS232, RS485 and Parallel Port Data Acquisition Systems, Wireless Transmitters and Receivers

• Pressure, Strain and Force

Displacement Transducers, Dynamic Measurement Force Sensors, Instrumentation for Pressure and Strain Measurements, Load Cells, Pressure Gauges, Pressure Reference Section, Pressure Switches, Pressure Transducers, Proximity Transducers, Regulators, Strain Gages, Torque Transducers, Valves

• Heaters

Band Heaters, Cartridge Heaters, Circulation Heaters, Comfort Heaters, Controllers, Meters and Switching Devices, Flexible Heaters, General Test and Measurement Instruments, Heater Hook-up Wire, Heating Cable Systems, Immersion Heaters, Process Air and Duct, Heaters, Radiant Heaters, Strip Heaters, Tubular Heaters