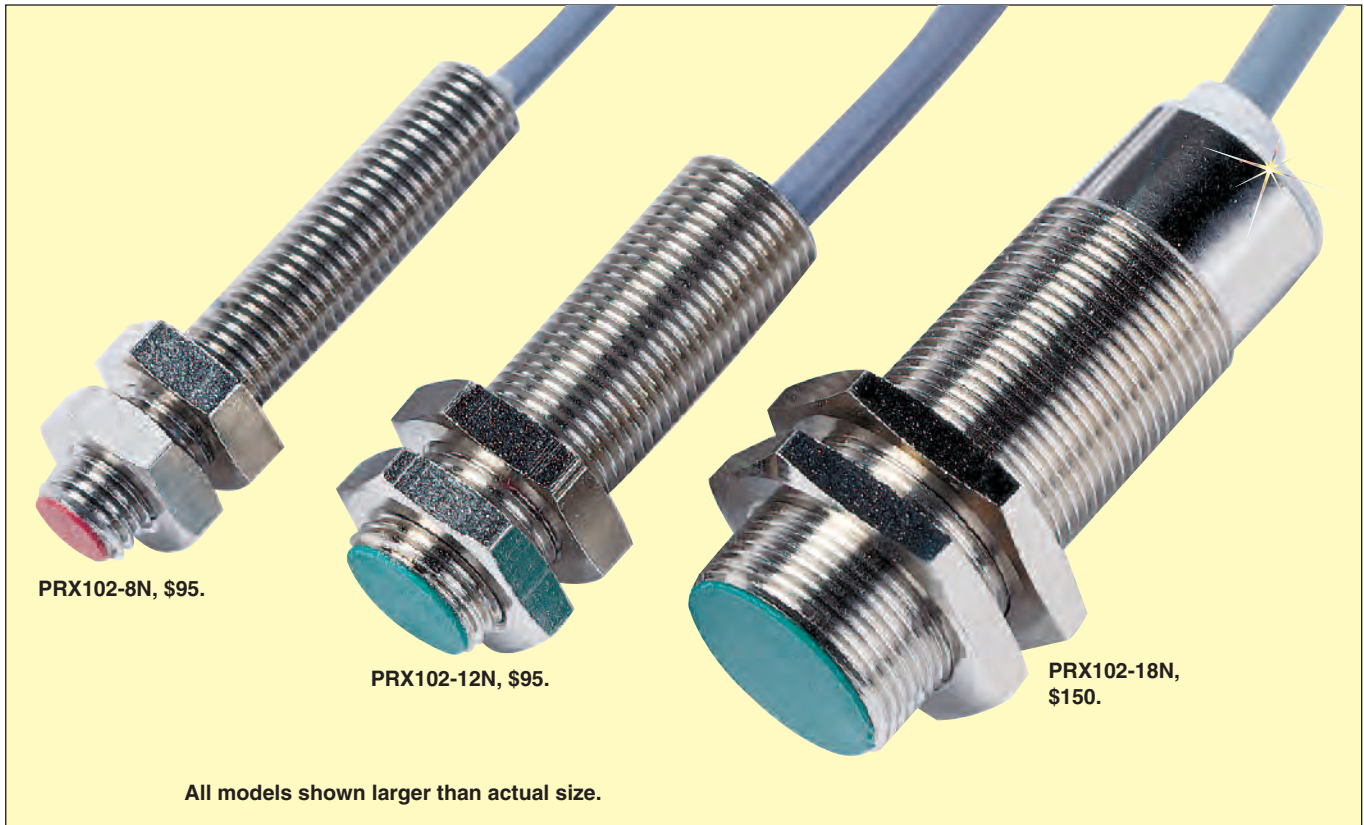


# SHIELDED INDUCTIVE PROXIMITY SENSORS

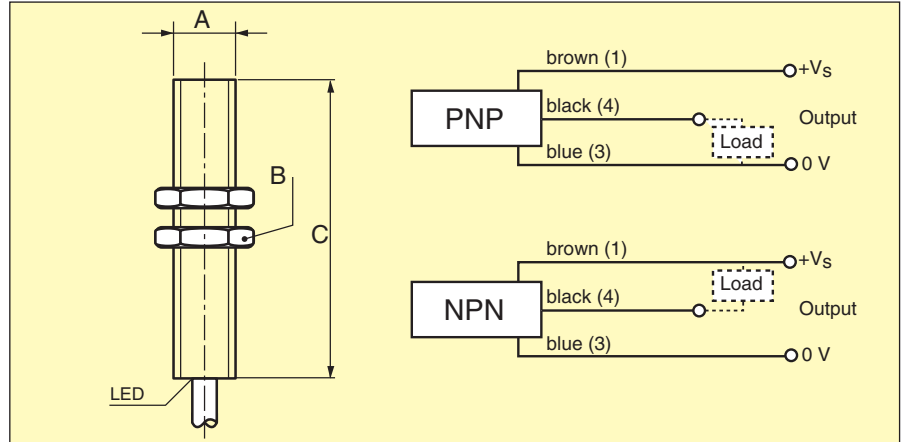
## 8, 12, AND 18 mm BODIES



**PRX102 Series Starts at \$95**



- Normally Open Industrial Proximity Sensors—3-Wire Configuration
- Rugged Construction for Dirty, Humid, Oily, and Dusty Applications
- Color-Coded Sensing Faces: Red-NPN and Green-PNP for Easy Identification
- IP67 Protection Rating



Reliability and ease of use make the PRX102 Series inductive proximity sensors the number one choice for numerous automation and robotics applications. These switches can detect any metal, and they are highly insensitive to contaminants such as dirt, dust, humidity, and oil. An LED indicator alerts the user to whether the sensor is working. The open collector can be either NPN or PNP.

**SPECIFICATIONS**  
**Switch:** Open collector, 3-wire, normally open, reverse polarity protected  
**Operating Temperature:** -25 to 75°C (-13 to 167°F)  
**Electrical Connection:** 1.8 m (6'), 3-conductor, 22 AWG, PVC insulated, pigtail leads; 26 AWG for 8 mm  
**Target:** Metals (areas < sensing area decrease sensing distance)  
**Case Material:** 8 mm (0.3") 303 SS; 12 mm (0.5") and 18 mm (0.7") nickel-plated brass; rolled threads



PRX102-8N, proximity sensor, \$95, shown with MBL-8/12, mounting bracket, \$10, and DPF75, rate and total meter, \$280. Visit [omega.com/dpf75](http://omega.com/dpf75) for more information.

**Dimensions: mm (in)**

PRX102	THREAD A	NUT B	C
8N/8P	M8 x 1	SW13	45 (1.77)
12N/12P	M12 x 1	SW17	40 (1.57)
18N/18P	M18 x 1	SW24	40 (1.57)

- Short Circuit Protected
- Reverse Polarity Protected
- Red LED Switching Indication

**Correction factor for sensing distance of alternative materials.**

	Factor approximately
Mild steel	1.0
Fe 360	1.0
Aluminum foil	0.95
Stainless steel	0.7
Brass	0.55
Aluminum	0.5
Copper	0.45

Example: Copper  
Effective sensing distance  $a = S_n \times 0.45$

**To Order (Specify Model Number)**

**MOST POPULAR MODELS HIGHLIGHTED!**

NPN OUTPUT MODEL NO.	PRX102-8N	PRX102-12N	PRX102-18N
PNP OUTPUT MODEL NO.	PRX102-8P	PRX102-12P	-
PRICE	\$95	\$95	\$150
SENSING DISTANCE mm (in)	2 (0.08)	4 (0.16)	8 (0.31)
OUTER DIAMETER mm (in)	8 (0.31)	12 (0.47)	18 (0.71)
SUPPLY VOLTAGE	10 to 30 Vdc	10 to 30 Vdc	10 to 30 Vdc
MAX SWITCHING	200 mA	250 mA	200 mA
VOLTAGE DROP	<2 Vdc	<2 Vdc	<2 Vdc
CURRENT DRAW	<12 mA	<10 mA	<10 mA
MAX SWITCH FREQUENCY	5 kHz	2 kHz	0.5 kHz
WEIGHT g (oz)	43 (1.5)	85 (3.0)	113 (4.0)

**Note:** Models shown are normally open. For normally closed models add suffix “-NC” to model number, no extra charge.

**Accessories**

MODEL NO.	PRICE	DESCRIPTION
MBL-8/12	\$10	L-shaped mounting bracket
DPF75	280	Compatible rate, batch, total meter
DPF402	470	Compatible rate, batch, total meter
DPF76	240	Compatible rate, batch, total meter
DPF701	260	Compatible batch, total meter
DPC10-TL*	136	Compatible total meter
DPF78	255	Compatible rate meter
DPC10-RM	136	Compatible rate meter

Comes with complete operator's manual.

\* Requires external DC power supply, such as PSS-D12A, \$145.

**Ordering Example:** PRX102-12N, 12 mm dia. proximity sensor with NPN output and 4 mm (0.16") sensing distance, \$95. PRX102-18P, 18 mm proximity sensor with PNP output and 18 mm (0.31" sensing distance plus)



#### UNITED STATES

[www.omega.com](http://www.omega.com)  
1-800-TC-OMEGA  
Stamford, CT.

#### CANADA

[www.omega.ca](http://www.omega.ca)  
Laval(Quebec)  
1-800-TC-OMEGA

#### GERMANY

[www.omega.de](http://www.omega.de)  
Deckenpfronn, Germany  
0800-8266342

#### UNITED KINGDOM

[www.omega.co.uk](http://www.omega.co.uk)  
Manchester, England  
0800-488-488

#### FRANCE

[www.omega.fr](http://www.omega.fr)  
Guyancourt, France  
088-466-342

#### CZECH REPUBLIC

[www.omegaeng.cz](http://www.omegaeng.cz)  
Karviná, Czech Republic  
596-311-899

#### BENELUX

[www.omega.nl](http://www.omega.nl)  
Amstelveen, NL  
0800-099-33-44



## More than 100,000 Products Available!

### • Temperature

Calibrators, Connectors, General Test and Measurement Instruments, Glass Bulb Thermometers, Handheld Instruments for Temperature Measurement, Ice Point References, Indicating Labels, Crayons, Cements and Lacquers, Infrared Temperature Measurement Instruments, Recorders Relative Humidity Measurement Instruments, RTD Probes, Elements and Assemblies, Temperature & Process Meters, Timers and Counters, Temperature and Process Controllers and Power Switching Devices, Thermistor Elements, Probes and Assemblies, Thermocouples Thermowells and Head and Well Assemblies, Transmitters, Wire

### • Flow and Level

Air Velocity Indicators, Doppler Flowmeters, Level Measurement, Magnetic Flowmeters, Mass Flowmeters, Pitot Tubes, Pumps, Rotameters, Turbine and Paddle Wheel Flowmeters, Ultrasonic Flowmeters, Valves, Variable Area Flowmeters, Vortex Shedding Flowmeters

### • pH and Conductivity

Conductivity Instrumentation, Dissolved Oxygen Instrumentation, Environmental Instrumentation, pH Electrodes and Instruments, Water and Soil Analysis Instrumentation

### • Data Acquisition

Auto-Dialers and Alarm Monitoring Systems, Communication Products and Converters, Data Acquisition and Analysis Software, Data Loggers Plug-in Cards, Signal Conditioners, USB, RS232, RS485 and Parallel Port Data Acquisition Systems, Wireless Transmitters and Receivers

### • Pressure, Strain and Force

Displacement Transducers, Dynamic Measurement Force Sensors, Instrumentation for Pressure and Strain Measurements, Load Cells, Pressure Gauges, Pressure Reference Section, Pressure Switches, Pressure Transducers, Proximity Transducers, Regulators, Strain Gages, Torque Transducers, Valves

### • Heaters

Band Heaters, Cartridge Heaters, Circulation Heaters, Comfort Heaters, Controllers, Meters and Switching Devices, Flexible Heaters, General Test and Measurement Instruments, Heater Hook-up Wire, Heating Cable Systems, Immersion Heaters, Process Air and Duct, Heaters, Radiant Heaters, Strip Heaters, Tubular Heaters