

VERY-HIGH-ACCURACY AMPLIFIED VOLTAGE OUTPUT TRANSDUCER

STANDARD AND METRIC MODELS

PX01/PXM01 Series

0 to 5 Vdc Output

0-2 to 0-30,000 psi-Standard Models

0-150 mbar to 0-400 bar-Metric Models

Starts at
\$835

STANDARD
PX01C0-075G5T,
\$855, shown smaller
than actual size.

METRIC
PXM01MC1-025BARG5T, \$855,
shown smaller than actual size.
See custom configurations chart
on next page for ordering details.



- ✓ 0.05% Linearity
- ✓ Internal Shunt Resistor for Easy System Checks
- ✓ FM Intrinsically Safe
- ✓ 5-Point Calibration Provided
- ✓ All Stainless Steel Construction
- ✓ Hermetically Sealed Design for Harsh Environments
- ✓ Available in Gage, Absolute, Sealed Gage, psi, and Metric Ranges
- ✓ Cable or Connector Models
- ✓ Optional Pressure Ports to Fit Most Industrial Applications

OMEGA's PX01/PXM01 Series pressure transducers are very high-accuracy, amplified voltage output units for industrial applications. Their all stainless steel construction and hermetically sealed case make them suitable for harsh environments. An FM Intrinsically Safe rating is standard. A broad temperature-compensated range of 15 to 71°C (60 to 160°F) and excellent temperature compensation make these transducers very stable with fluctuating temperatures.

SPECIFICATIONS

Excitation: 24 to 32 Vdc

Output: 0 to 5 Vdc ± 0.03 Vdc

Linearity: 0.05% FSO

Hysteresis: 0.05% FSO

Repeatability: $\pm 0.05\%$ FSO

Zero Balance: 0 V ± 0.01 Vdc

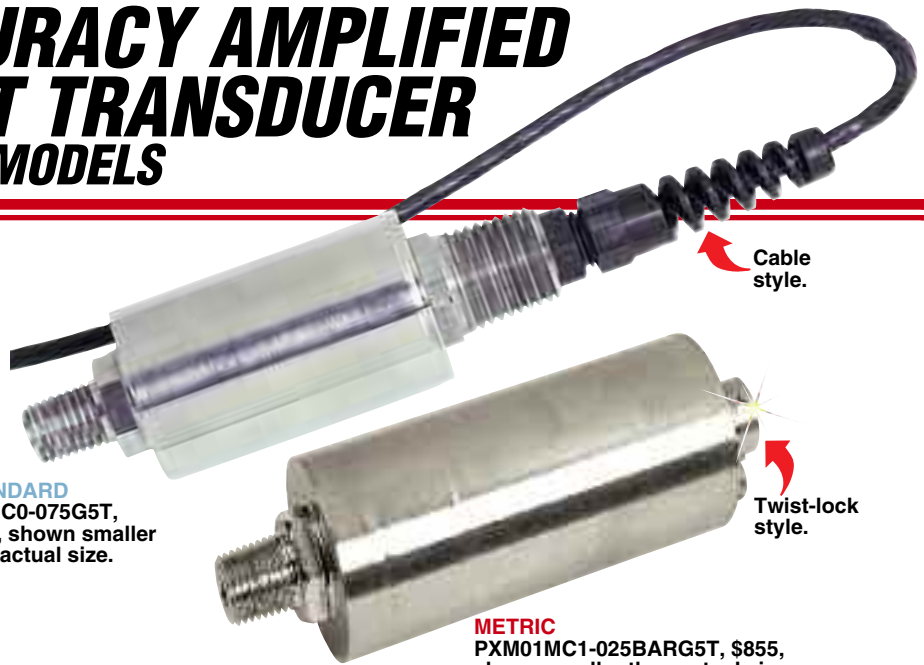
Agency Approvals: Standard FM Intrinsically Safe IS/I.II.III/1/CDEFG

Sensing Element: 4-active-arm bridge, using thick-film strain gages in a hermetically sealed chamber (except gage units)

Shunt Calibration Value: 80% FS

Operating Temp Range: -46 to 121°C (-50 to 250°F)

Compensated Temp Range: 16 to 71°C (60 to 160°F)



Cable style.

Twist-lock style.

Thermal Effects:

Span: 0.002% of rdg/°F
Zero: 0.001% of FSO/°F

Proof Pressure: 150% of rated pressure

Burst Pressure: 300% of rated pressure

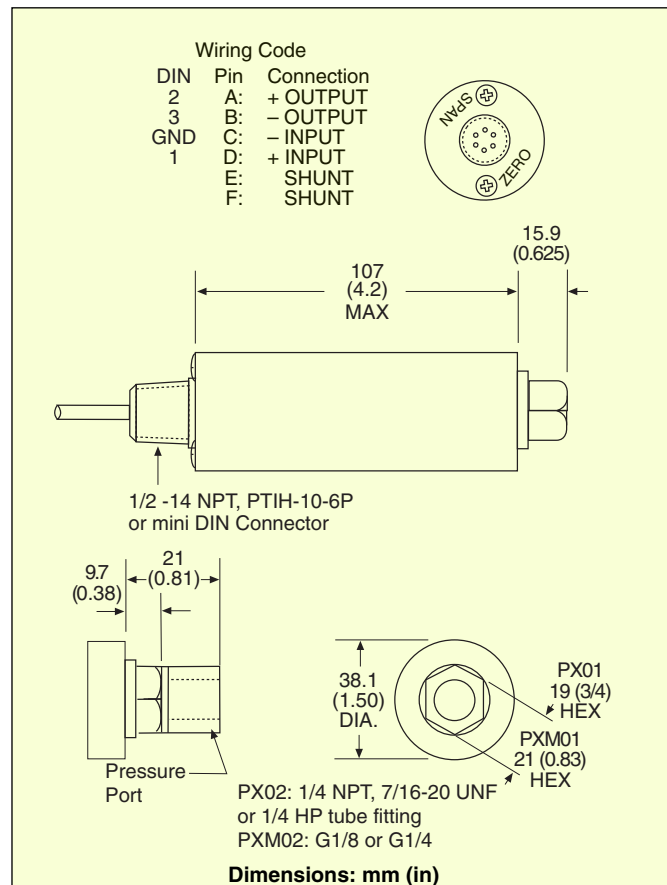
Wetted Parts: 17-4 PH stainless steel

Pressure Port: See Custom Configurations

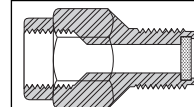
Electrical Connection: See Custom Configurations

Mating Connector: PT06F10-6S (sold separately)

Weight: 388 g (13.7 oz)



VERY-HIGH-ACCURACY ALL STAINLESS STEEL TRANSDUCER



"C" or "D"
models only

¼ NPT Pressure
Snubbers: \$12.75
PS-4G = Gas
PS-4E = Lt Oil
PS-4D = Dense Lq

STANDARD CUSTOM CONFIGURATIONS

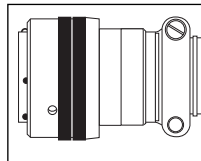
PX01 SERIES	PRESSURE PORT [1]	ELECTRICAL CONNECTION [2]	RANGE (psi) [3]	UNITS [4]	OUTPUT [5]	OPTIONS [6]
	Models <10,000 psi		002	S,G,A	Base price PX01 \$835: 50 to 7500 psig \$905: < 50 psig or > 7500 psig Add \$50 for absolute pressure ranges 5T = 0 to 5 Vdc 5Z = Isolated 0 to 5V +35 all ranges 10T = 0 to 10 Vdc output No Charge	OL = Overload stops +\$65 OX = Cleaned for oxygen use +\$75 plus 2 weeks Optional cable length in feet \$6.50/ft over 10 feet
C	¼-18 NPT-M +\$20		005	S,G,A		
D	¼-18 NPT-F, no charge		010	S,G,A		
J	⅞-20 UNF-M +\$20		015	S,G,A		
K	⅞-20 UNF-F, no charge		020	S,G,A		
	Models ≥10,000 psi		025	S,G,A		
S	¼ HP tube fitting no charge		050	S,G,A		
			075	S,G,A		
			100	S,G,A		
	0 = 3 m (10') cable (std) +\$6.50/ft over 3 m (10')		150	S,G,A		
	1 = PTIH-10-6P connector (or equal, no charge). Mating connector (sold separately), order PT06F10-6S \$26.50		200	S,G,A		
	6 = mini DIN connector *no shunt cal (no charge)		250	S,G,A		
			300	S,G,A		
			500	S,G,A		
			750	S,G,A		
			1K	S,G,A		
			1.5K	S,G,A		
			2K	S,G,A		
			3K	S,G,A		
			3.5K	S,G,A		
			5K	S,G,A		
			7.5K	S,G,A		
			10K†	S,G,A		
			20K†	S,G,A		
			30K†	S,G,A		

See page B-12 for additional options, including extended compensated temperatures.

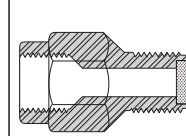
To order a custom configuration:
 1. Select a pressure port
 2. Select electrical connection
 3. Select a pressure range
 4. Select pressure units
 5. Select output
 6. Select options and agency approvals

† Supplied with ¼ HP tube fitting.

Ordering Examples: **PX01C1-100G5T**, 100 psi gage pressure transducer with ¼-18 NPT male fitting, PTIH-10-6P, connector and 0 to 5 Vdc output, \$835 + 20 = **\$855**. **PT06F10-6S**, mating connector (sold separately), **\$26.50**. **PX01K0-1KS5Z**, 1000 sealed gage pressure transducer with ⅞-20 UNF female fitting, 3 m (10') cable, isolated 0 to 5 Vdc output, \$835 + 35 = **\$870**. **PX01J1-015A5T**, 15 psi absolute pressure transducer with ⅞-20 UNF male fitting, PTIH-10-6P, connector, 0 to 5 Vdc output, \$905 + 50 + 20 = **\$975**. **PT06F10-6S**, mating connector (sold separately), **\$26.50**.



**Mating Connector
PT06F10-6S
\$26.50**



G¼ Pressure
Snubbers: \$12.75
PS-4G-MG = Gas
PS-4E-MG = Lt Oil
PS-4D-MG = Dense Liquid

METRIC CUSTOM CONFIGURATIONS

PXM01 SERIES	PRESSURE PORT [1]	ELECTRICAL CONNECTION [2]	RANGE (BAR) [3]	UNITS [4]	OUTPUT [5]	OPTIONS [6]
MA	G¼B Male +\$20		0.16	S,G,A	Base price PXM01 \$835 ≥1.6 bar \$905 <1.6 bar Add \$50 for absolute pressure ranges 5T = 0 to 5 Vdc 5Z = isolated 0 to 5 Vdc +\$35 all ranges 10T = 0 to 10 Vdc no charge	OX = Cleaned for oxygen service OL = Overload stops (m) = Optional cable length in meters \$15/m over 3 m
MB	G¼B Female no charge		0.4	S,G,A		
MC	G¼B Male +\$20		1.0	S,G,A		
MD	G¼B Female no charge		1.6	S,G,A		
			2.5	S,G,A		
			4.0	S,G,A		
	0 = 3 m (10') cable (std) \$15/m over 3 m (10')		6.0	S,G,A		
	1 = PTIH-10-6P connector (or equal, no charge) Mating connector (sold separately), order PT06F10-6S \$26.50		10	S,G,A		
	6 = mini DIN connector* *no shunt cal (no charge)		16	S,G,A		
			25	S,G,A		
			40	S,G,A		
			60	S,G,A		
			100	S,G,A		
			160	S,G,A		
			250	S,G,A		
			400	S,G,A		

See page B-12 for additional options including extended compensated temperatures.

To order a custom configuration:
 1. Select a pressure port
 2. Select electrical connection
 3. Select a pressure range
 4. Select pressure units
 5. Select output
 6. Select options and agency approvals

Ordering Examples: **PXM01MB0-010BARS1**, 10 bar sealed gage pressure transducer with G¼B female connection, 3 m (10') cable termination, and 0 to 5 Vdc output, **\$855**.

PXM01MC1-010BARA1, 10 bar absolute pressure transducer with G¼B male connection, twist-lock connector and 0 to 10 V output, \$855 + 20 = **\$875**. **PT06F10-6S**, mating connector (sold separately), **\$26.50**.

VOLTAGE OUTPUT
PRESSURE TRANSDUCERS
B

VERY-HIGH-ACCURACY AMPLIFIED OUTPUT TRANSDUCER ALL STAINLESS STEEL CONSTRUCTION

STANDARD MODELS MOST POPULAR MODELS HIGHLIGHTED!

To Order (Specify Model Number)

RANGE psi	bar	1/16-20 UNF MODEL NO.	PRICE	1/4 NPT MODEL NO.	PRICE	COMPATIBLE METERS*
Connector Style – Absolute Pressure (All Ranges Available in Absolute Pressure)						
0 to 10	0 to 0.69	PX01K1-010A5T	\$955	PX01C1-010A5T	\$975	DP41-E, DP25B-E
0 to 15	0 to 1.0	PX01K1-015A5T	955	PX01C1-015A5T	975	DP41-E, DP25B-E
0 to 20	0 to 1.4	PX01K1-020A5T	955	PX01C1-020A5T	975	DP41-E, DP25B-E
0 to 25	0 to 1.7	PX01K1-025A5T	955	PX01C1-025A5T	975	DP41-E, DP25B-E
0 to 50	0 to 3.4	PX01K1-050A5T	885	PX01C1-050A5T	905	DP41-E, DP25B-E
Connector Style – Gage Pressure (All Ranges Also Available in Sealed Gage Pressure)						
0 to 2	0 to 0.14	PX01K1-002G5T	\$905	PX01C1-002G5T	\$925	DP41-E, DP25B-E
0 to 5	0 to 0.34	PX01K1-005G5T	905	PX01C1-005G5T	925	DP41-E, DP25B-E
0 to 10	0 to 0.69	PX01K1-010G5T	905	PX01C1-010G5T	925	DP41-E, DP25B-E
0 to 15	0 to 1.0	PX01K1-015G5T	905	PX01C1-015G5T	925	DP41-E, DP25B-E
0 to 50	0 to 3.4	PX01K1-050G5T	835	PX01C1-050G5T	855	DP41-E, DP25B-E
0 to 75	0 to 5.2	PX01K1-075G5T	835	PX01C1-075G5T	855	DP41-E, DP25B-E
0 to 100	0 to 6.9	PX01K1-100G5T	835	PX01C1-100G5T	855	DP41-E, DP25B-E
0 to 200	0 to 13.8	PX01K1-200G5T	835	PX01C1-200G5T	855	DP41-E, DP25B-E
0 to 300	0 to 20.7	PX01K1-300G5T	835	PX01C1-300G5T	855	DP41-E, DP25B-E
0 to 500	0 to 34.5	PX01K1-500G5T	835	PX01C1-500G5T	855	DP41-E, DP25B-E
0 to 1000	0 to 68.9	PX01K1-1KG5T	835	PX01C1-1KG5T	855	DP41-E, DP25B-E
0 to 1500	0 to 103	PX01K1-1.5KG5T	835	PX01C1-1.5KG5T	855	DP41-E, DP25B-E
0 to 2000	0 to 138	PX01K1-2KG5T	835	PX01C1-2KG5T	855	DP41-E, DP25B-E
0 to 3500	0 to 241	PX01K1-3.5KG5T	835	PX01C1-3.5KG5T	855	DP41-E, DP25B-E
0 to 5000	0 to 345	PX01K1-5KG5T	835	PX01C1-5KG5T	855	DP41-E, DP25B-E
0 to 7500	0 to 517	PX01K1-7.5KG5T	835	PX01C1-7.5KG5T	855	DP41-E, DP25B-E
0 to 10,000**	0 to 689	PX01S1-10KG5T†	905	PX01S1-10KG5T†	905	DP41-E, DP25B-E**
0 to 20,000**	0 to 1379	PX01S1-20KG5T†	905	PX01S1-20KG5T†	905	DP41-E, DP25B-E**
0 to 30,000**	0 to 2068	PX01S1-30KG5T†	905	PX01S1-30KG5T†	905	DP41-E, DP25B-E**

Twist-lock style.

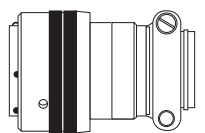


STANDARD
PX01C1-100G5T,
\$855, shown
smaller than
actual size.

mini DIN style.



METRIC
PXM01MC6-010BARG5T, \$855,
shown smaller than actual size.



Mating
Connector
PT06F10-6S
\$26.50

ACCESSORY

MODEL NO.	PRICE	DESCRIPTION
PT06F10-6S	\$26.50	Mating connector for PX01/PXM01 transducers with twist-lock connector

Comes complete with 5-point NIST-traceable calibration. * See section D for compatible meters.

** 4-digit meter, counts in increments of 10. † 1/4" HP tube fitting

To order absolute pressure, replace "G" in model number with "A" and add \$50.

To order sealed gage units, replace "G" in model number with "S" (no extra charge).

Ordering Examples: PX01K1-1KG5T, 1000 psi gage transducer with 0 to 5 V output, twist-lock connector and 1/16-20 UNF female pressure connection, \$835. PT06F10-6S, mating connector (sold separately), \$26.50. PX01C0-010G5T, 10 psi gage transducer with 0 to 5V output, 3 m (10') cable and 1/4 NPT male pressure connection, \$925.

METRIC MODELS

RANGE		G 1/4 FEMALE MODEL NO.	PRICE	COMPATIBLE METERS*
Connector Style				
0 to 0.16 bar	0 to 2.32 psi	PXM01MD0-160mBARG5T	\$905	DP41-E, DP25B-E
0 to 0.4 bar	0 to 5.8 psi	PXM01MD0-400mBARG5T	905	DP41-E, DP25B-E
0 to 1 bar	0 to 15 psi	PXM01MD0-001BARG5T	905	DP41-E, DP25B-E
0 to 1.60 bar	0 to 23 psi	PXM01MD0-1.60BARG5T	835	DP41-E, DP25B-E
0 to 2.50 bar	0 to 36 psi	PXM01MD0-2.50BARG5T	835	DP41-E, DP25B-E
0 to 4 bar	0 to 58 psi	PXM01MD0-004BARG5T	835	DP41-E, DP25B-E
0 to 6 bar	0 to 87 psi	PXM01MD0-006BARG5T	835	DP41-E, DP25B-E
0 to 10 bar	0 to 145 psi	PXM01MD0-010BARG5T	835	DP41-E, DP25B-E
0 to 16 bar	0 to 232 psi	PXM01MD0-016BARG5T	835	DP41-E, DP25B-E
0 to 25 bar	0 to 363 psi	PXM01MD0-025BARG5T	835	DP41-E, DP25B-E
0 to 40 bar	0 to 580 psi	PXM01MD0-040BARG5T	835	DP41-E, DP25B-E
0 to 60 bar	0 to 870 psi	PXM01MD0-060BARG5T	835	DP41-E, DP25B-E
0 to 100 bar	0 to 1450 psi	PXM01MD0-100BARG5T	835	DP41-E, DP25B-E
0 to 160 bar	0 to 2321 psi	PXM01MD0-160BARG5T	835	DP41-E, DP25B-E
0 to 250 bar	0 to 3626 psi	PXM01MD0-250BARG5T	835	DP41-E, DP25B-E
0 to 400 bar	0 to 5802 psi	PXM01MD0-400BARG5T	835	DP41-E, DP25B-E

Comes complete with 5-point NIST traceable calibration. * See section D for compatible meters.

To order absolute pressure models, replace "G" in model number with "A" and add \$50.

To order sealed gage models, replace "G" in model number to "S" (no extra charge).

To order male thread, see Custom Configurations on next page.

Ordering Examples: PXM01MD6-004BARG5T, 4 bar gage transducer with 0 to 5 V output, mini DIN connector and G1/4 female pressure connection, \$835. Mating connector included. PXM01MD0-1.60BARA5T, 1.6 bar absolute transducer with 0 to 5 V output, 3 m (10') cable with 1/2 NPT conduit fitting and G1/4 female pressure connection, \$905 + 50 = \$955.



UNITED STATES

www.omega.com
1-800-TC-OMEGA
Stamford, CT.

CANADA

www.omega.ca
Laval(Quebec)
1-800-TC-OMEGA

GERMANY

www.omega.de
Deckenpfronn, Germany
0800-8266342

UNITED KINGDOM

www.omega.co.uk
Manchester, England
0800-488-488

FRANCE

www.omega.fr
Guyancourt, France
088-466-342

CZECH REPUBLIC

www.omegaeng.cz
Karviná, Czech Republic
596-311-899

BENELUX

www.omega.nl
Amstelveen, NL
0800-099-33-44



More than 100,000 Products Available!

• Temperature

Calibrators, Connectors, General Test and Measurement Instruments, Glass Bulb Thermometers, Handheld Instruments for Temperature Measurement, Ice Point References, Indicating Labels, Crayons, Cements and Lacquers, Infrared Temperature Measurement Instruments, Recorders Relative Humidity Measurement Instruments, RTD Probes, Elements and Assemblies, Temperature & Process Meters, Timers and Counters, Temperature and Process Controllers and Power Switching Devices, Thermistor Elements, Probes and Assemblies, Thermocouples Thermowells and Head and Well Assemblies, Transmitters, Wire

• Flow and Level

Air Velocity Indicators, Doppler Flowmeters, Level Measurement, Magnetic Flowmeters, Mass Flowmeters, Pitot Tubes, Pumps, Rotameters, Turbine and Paddle Wheel Flowmeters, Ultrasonic Flowmeters, Valves, Variable Area Flowmeters, Vortex Shedding Flowmeters

• pH and Conductivity

Conductivity Instrumentation, Dissolved Oxygen Instrumentation, Environmental Instrumentation, pH Electrodes and Instruments, Water and Soil Analysis Instrumentation

• Data Acquisition

Auto-Dialers and Alarm Monitoring Systems, Communication Products and Converters, Data Acquisition and Analysis Software, Data Loggers Plug-in Cards, Signal Conditioners, USB, RS232, RS485 and Parallel Port Data Acquisition Systems, Wireless Transmitters and Receivers

• Pressure, Strain and Force

Displacement Transducers, Dynamic Measurement Force Sensors, Instrumentation for Pressure and Strain Measurements, Load Cells, Pressure Gauges, Pressure Reference Section, Pressure Switches, Pressure Transducers, Proximity Transducers, Regulators, Strain Gages, Torque Transducers, Valves

• Heaters

Band Heaters, Cartridge Heaters, Circulation Heaters, Comfort Heaters, Controllers, Meters and Switching Devices, Flexible Heaters, General Test and Measurement Instruments, Heater Hook-up Wire, Heating Cable Systems, Immersion Heaters, Process Air and Duct, Heaters, Radiant Heaters, Strip Heaters, Tubular Heaters