

# FLUSH DIAPHRAGM MILLIVOLT OUTPUT PRESSURE TRANSDUCER

**PX102 Series**  
0-6 to 0-5000 psi  
0-0.4 to 0-1345 bar

See Section Y for a Selection of Scientific, Technical, and Reference Books Available from [omega.com](http://omega.com)

Starts at  
**\$490**



Shown larger than actual size.



PX102-050GV, \$505, shown actual size.

See page B-48 for flush mount adaptors.

## SPECIFICATIONS

**Excitation:** 5 Vdc 35 mA (6 Vdc max)

**Output:** 0 to 100 mV  $\pm 1\%$

**Input Impedance:**  $150 \pm 50 \Omega$

**Output Impedance:**  $115 \pm 25 \Omega$

**Insulation Resistance:** 20 M $\Omega$  at 50 Vdc

**Accuracy:** 100 to 5000 psi = 0.25% BFSL, all other ranges = 0.5% BFSL

**Zero Balance:**  $\pm 5$  mV

**Operating Temperature Range:**

-51 to 93°C (-60 to 200°F)

**Compensated Temperature Range:**

-1 to 71°C (30 to 160°F)

**Thermal Zero Effect:**  $\pm 0.1\%$  rdg/°C

( $\pm 0.05\%$  rdg/°F)

**Thermal Sensitivity Effect:**  $\pm 0.02\%$ /°C

( $\pm 0.01\%$  rdg/°F)

**Proof Pressure:** 2x full scale

**Burst Pressure:** 5x full scale minimum

**Fatigue:** >160 million cycles

**Gages:** Semiconductors on bending beam

**Body/Diaphragm Material:**

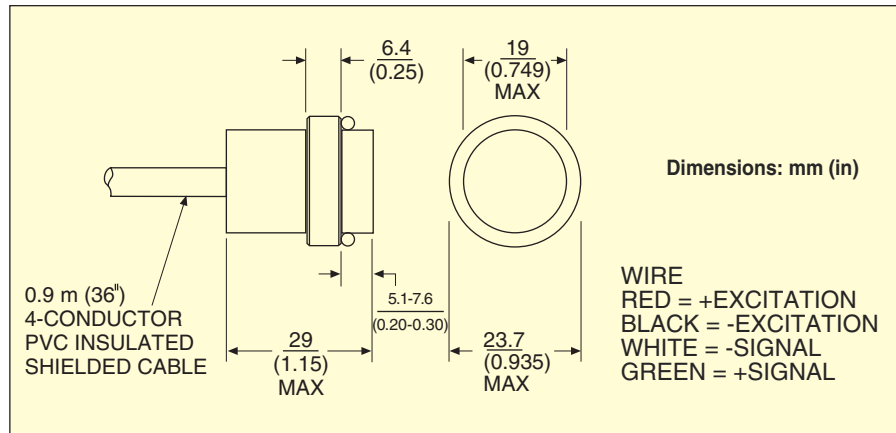
316 L SS:  $\leq 50$  psi

-15-5 PH SS:  $> 50$  psi

**Pressure Port:** Flush

**Electrical Connection:** 0.9 m (36"); shielded PVC cable, 4 leads

**Weight:** 57 g (2 oz)



WIRE  
RED = +EXCITATION  
BLACK = -EXCITATION  
WHITE = -SIGNAL  
GREEN = +SIGNAL

**MOST POPULAR MODELS HIGHLIGHTED!**

## To Order (Specify Model Number)

RANGE	MODEL NO.	PRICE	COMPATIBLE METERS*
0 to 6 psig	PX102-006GV	\$505	DP25B-S, DP41-S
0 to 25 psig	PX102-025GV	505	DP25B-S, DP41-S
0 to 50 psig	PX102-050GV	505	DP25B-S, DP41-S
0 to 100 psig	PX102-100SV	490	DP25B-S, DP41-S
0 to 200 psig	PX102-200SV	490	DP25B-S, DP41-S
0 to 500 psig	PX102-500SV	490	DP25B-S, DP41-S
0 to 1000 psig	PX102-1KSV	490	DP25B-S, DP41-S
0 to 3000 psig	PX102-3KSV	490	DP25B-S, DP41-S

Comes complete with operator's manual.

\* See section D for compatible meters.

**Ordering Example:** PX102-006GV, 0 to 6 psig pressure transducer, \$505. AD-1SS, adaptor to mount in a 1/4 NPT fitting, \$125.

## ACCESSORY

MODEL NO.	PRICE	DESCRIPTION
AD-1SS	\$125	1/4 MNPT adaptor

Units 100 psi and above have cases sealed from the surrounding atmosphere, providing maximum reliability in humid or corrosive environment (psis). Ranges below 100 psi are vented to the atmosphere and read gage pressure (psig).



#### UNITED STATES

[www.omega.com](http://www.omega.com)  
1-800-TC-OMEGA  
Stamford, CT.

#### CANADA

[www.omega.ca](http://www.omega.ca)  
Laval(Quebec)  
1-800-TC-OMEGA

#### GERMANY

[www.omega.de](http://www.omega.de)  
Deckenpfronn, Germany  
0800-8266342

#### UNITED KINGDOM

[www.omega.co.uk](http://www.omega.co.uk)  
Manchester, England  
0800-488-488

#### FRANCE

[www.omega.fr](http://www.omega.fr)  
Guyancourt, France  
088-466-342

#### CZECH REPUBLIC

[www.omegaeng.cz](http://www.omegaeng.cz)  
Karviná, Czech Republic  
596-311-899

#### BENELUX

[www.omega.nl](http://www.omega.nl)  
Amstelveen, NL  
0800-099-33-44



## More than 100,000 Products Available!

### • Temperature

Calibrators, Connectors, General Test and Measurement Instruments, Glass Bulb Thermometers, Handheld Instruments for Temperature Measurement, Ice Point References, Indicating Labels, Crayons, Cements and Lacquers, Infrared Temperature Measurement Instruments, Recorders Relative Humidity Measurement Instruments, RTD Probes, Elements and Assemblies, Temperature & Process Meters, Timers and Counters, Temperature and Process Controllers and Power Switching Devices, Thermistor Elements, Probes and Assemblies, Thermocouples Thermowells and Head and Well Assemblies, Transmitters, Wire

### • Flow and Level

Air Velocity Indicators, Doppler Flowmeters, Level Measurement, Magnetic Flowmeters, Mass Flowmeters, Pitot Tubes, Pumps, Rotameters, Turbine and Paddle Wheel Flowmeters, Ultrasonic Flowmeters, Valves, Variable Area Flowmeters, Vortex Shedding Flowmeters

### • pH and Conductivity

Conductivity Instrumentation, Dissolved Oxygen Instrumentation, Environmental Instrumentation, pH Electrodes and Instruments, Water and Soil Analysis Instrumentation

### • Data Acquisition

Auto-Dialers and Alarm Monitoring Systems, Communication Products and Converters, Data Acquisition and Analysis Software, Data Loggers Plug-in Cards, Signal Conditioners, USB, RS232, RS485 and Parallel Port Data Acquisition Systems, Wireless Transmitters and Receivers

### • Pressure, Strain and Force

Displacement Transducers, Dynamic Measurement Force Sensors, Instrumentation for Pressure and Strain Measurements, Load Cells, Pressure Gauges, Pressure Reference Section, Pressure Switches, Pressure Transducers, Proximity Transducers, Regulators, Strain Gages, Torque Transducers, Valves

### • Heaters

Band Heaters, Cartridge Heaters, Circulation Heaters, Comfort Heaters, Controllers, Meters and Switching Devices, Flexible Heaters, General Test and Measurement Instruments, Heater Hook-up Wire, Heating Cable Systems, Immersion Heaters, Process Air and Duct, Heaters, Radiant Heaters, Strip Heaters, Tubular Heaters