

# HIGH ACCURACY, LOW ABSOLUTE PRESSURE TRANSDUCER

## WITH 4 TO 20 mA OR 0 TO 5 Vdc OUTPUTS



CURRENT OUTPUT  
PRESSURE TRANSDUCERS  
**B**

**PX238 Series**  
0-0.03 to 0-150 psia

# DISCONTINUED

- ✓ ±0.2% Full Scale Accuracy
- ✓ Measurement Ranges  
0-0.03 psia to 0-150 psia
- ✓ Available with 2 Wire  
4 to 20 mA or 3 Wire  
0 to 5 Vdc Outputs
- ✓ Suitable for All Media  
Compatible with  
316L SS, Inconel X750  
and Inconel 600



PX238  
**\$1910**  
All Ranges

The PX238 series absolute pressure transducers are suitable for high precision applications such as secondary calibration standards, chemical reactor vessels, leak detectors or anywhere critical measurements are required. High overpressure, wide chemical compatibility, and excellent long term stability assure the highest possible reliability.

Shown smaller than actual size

### SPECIFICATIONS

**Excitation:** 10 to 30 Vdc

**Output:** 4 to 20 mA 2-wire or  
0 to 5 Vdc 3-wire

**Accuracy:** ±0.2% FS BFSL

**Zero Balance:** ± 3.0%

**Operating Temperature Range:**

-40 to 100°C (-40 to 212°F)

**Compensated Temperature Range:**

-5 to 50°C (22 to 122°F)

**Thermal Zero Effect:**

0.005% FS/°F

0.012% FS/°F for 0.03 psia range

**Thermal Sensitivity Effect:**

0.012% reading/°F

**Proof Pressure:**

0.03 to 1.5 psia = 75 psia

7.5 to 15 psia = 120 psia

75 psia = 150 psia

150 psia = 225 psia

**Burst Pressure:** 750 psia

**Response Time:** 10 ms

**Vibration:** 50 g up to 2 kHz

**Body Material:** 316L Stainless Steel

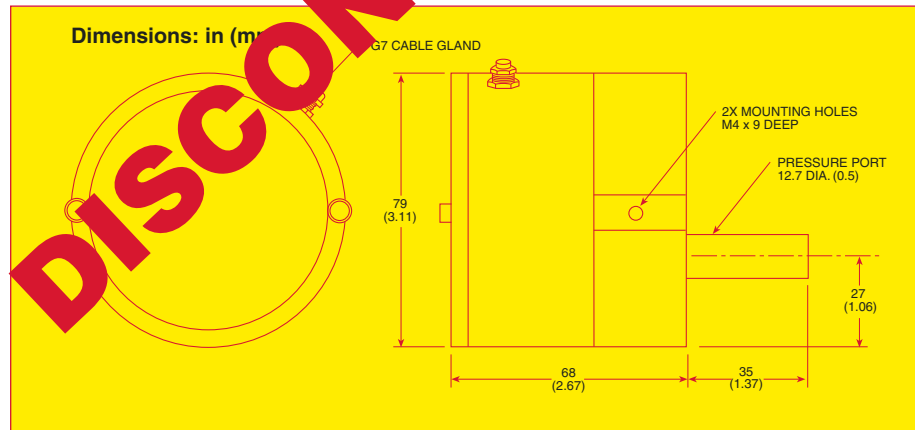
**Wetted Parts:** Inconel X750, Inconel 600,  
316L Stainless Steel

**Environmental Sealing:** NEMA-4 (IP66)

**Pressure Connection:** 1/2" OD Tube

**Electrical Connection:** PG7 Cable  
Gland with screw terminal block  
accessible under cover

**Weight:** 0.95 kg (2.1 lb)



Connecting detailed in owner's manual.

**MOST POPULAR MODELS HIGHLIGHTED!**

### To Order (Specify Model Number)

Range (psia)	4-20 MA MODEL	0-5 VDC MODEL	PRICE	COMPATIBLE METERS
0 to 0.03	PX238-0.03AI	PX238-0.03A5V	\$1910	DP24-E, DP25-E, DP41-E
0 to 0.15	PX238-0.15AI	PX238-0.15A5V	1910	DP24-E, DP25-E, DP41-E
0 to 0.75	PX238-0.75AI	PX238-0.75A5V	1910	DP24-E, DP25-E, DP41-E
0 to 1.5	PX238-1.5AI	PX238-1.5A5V	1910	DP24-E, DP25-E, DP41-E
0 to 7.5	PX238-7.5AI	PX238-7.5A5V	1910	DP24-E, DP25-E, DP41-E
0 to 15	PX238-15AI	PX238-15A5V	1910	DP24-E, DP25-E, DP41-E
0 to 75	PX238-75AI	PX238-75A5V	1910	DP24-E, DP25-E, DP41-E
0 to 150	PX238-150AI	PX238-150A5V	1910	DP24-E, DP25-E, DP41-E

Comes with complete operator's manual.

**Ordering Examples:** 1) PX238-0.15AI is a 0 to 0.15 psia transducer with a 4 to 20 mA output, \$1675. 2) PX238-0.15A5V is a 0 to 0.15 psia transducer with a 0 to 5 Vdc output, \$1910.

# DISCONTINUED



#### UNITED STATES

[www.omega.com](http://www.omega.com)  
1-800-TC-OMEGA  
Stamford, CT.

#### CANADA

[www.omega.ca](http://www.omega.ca)  
Laval(Quebec)  
1-800-TC-OMEGA

#### GERMANY

[www.omega.de](http://www.omega.de)  
Deckenpfronn, Germany  
0800-8266342

#### UNITED KINGDOM

[www.omega.co.uk](http://www.omega.co.uk)  
Manchester, England  
0800-488-488

#### FRANCE

[www.omega.fr](http://www.omega.fr)  
Guyancourt, France  
088-466-342

#### CZECH REPUBLIC

[www.omegaeng.cz](http://www.omegaeng.cz)  
Karviná, Czech Republic  
596-311-899

#### BENELUX

[www.omega.nl](http://www.omega.nl)  
Amstelveen, NL  
0800-099-33-44



## More than 100,000 Products Available!

### • Temperature

Calibrators, Connectors, General Test and Measurement Instruments, Glass Bulb Thermometers, Handheld Instruments for Temperature Measurement, Ice Point References, Indicating Labels, Crayons, Cements and Lacquers, Infrared Temperature Measurement Instruments, Recorders Relative Humidity Measurement Instruments, RTD Probes, Elements and Assemblies, Temperature & Process Meters, Timers and Counters, Temperature and Process Controllers and Power Switching Devices, Thermistor Elements, Probes and Assemblies, Thermocouples Thermowells and Head and Well Assemblies, Transmitters, Wire

### • Flow and Level

Air Velocity Indicators, Doppler Flowmeters, Level Measurement, Magnetic Flowmeters, Mass Flowmeters, Pitot Tubes, Pumps, Rotameters, Turbine and Paddle Wheel Flowmeters, Ultrasonic Flowmeters, Valves, Variable Area Flowmeters, Vortex Shedding Flowmeters

### • pH and Conductivity

Conductivity Instrumentation, Dissolved Oxygen Instrumentation, Environmental Instrumentation, pH Electrodes and Instruments, Water and Soil Analysis Instrumentation

### • Data Acquisition

Auto-Dialers and Alarm Monitoring Systems, Communication Products and Converters, Data Acquisition and Analysis Software, Data Loggers Plug-in Cards, Signal Conditioners, USB, RS232, RS485 and Parallel Port Data Acquisition Systems, Wireless Transmitters and Receivers

### • Pressure, Strain and Force

Displacement Transducers, Dynamic Measurement Force Sensors, Instrumentation for Pressure and Strain Measurements, Load Cells, Pressure Gauges, Pressure Reference Section, Pressure Switches, Pressure Transducers, Proximity Transducers, Regulators, Strain Gages, Torque Transducers, Valves

### • Heaters

Band Heaters, Cartridge Heaters, Circulation Heaters, Comfort Heaters, Controllers, Meters and Switching Devices, Flexible Heaters, General Test and Measurement Instruments, Heater Hook-up Wire, Heating Cable Systems, Immersion Heaters, Process Air and Duct, Heaters, Radiant Heaters, Strip Heaters, Tubular Heaters