

# LOW-COST WET/WET GAGE OR DIFFERENTIAL PRESSURE SENSOR

## PX26 Series 0-1 to 0-100 psi (0-0.07 to 6.9 bar) Gage and Differential

All Ranges  
**\$40**

- ✓ Water and Many Other Liquids Can be Applied to Both Sides
- ✓ Gage and Differential Models Available
- ✓ Miniature PC Board Mount Design

OMEGA's PX26 Series pressure sensors feature state-of-the-art silicon technology that permits both sides of the diaphragm to handle liquids. A unique conductive seal between the silicon diaphragm and the plastic housing allows for wet/wet applications and lower production costs than typical gold wire silicon sensors. This new construction has a larger diaphragm than traditional silicon sensors, resulting in increased long-term stability.

### SPECIFICATIONS

**Excitation:** 10 Vdc, 16 Vdc max @ 2 mA

**Output (@ 10 Vdc):** 1 psi = 16.7 mV;  
5 psi = 50 mV; >5 psi = 100 mV;  
250 psi = 150 mV

**Linearity:** ±0.25% FS BFSL typical  
(±1% maximum) P2 > P1

**Hysteresis and Repeatability:** 0.2% FS

**Zero Balance:** ±1.5 mV

**Span Tolerance:** ±3.0 mV

**1-Year Stability:** 0.5% FS

**Operating Temperature:** -40 to 85°C  
(-40 to 185°F)

**Compensated Temperature:** 0 to 50°C  
(32 to 122°F)

**Thermal Effects:**

**Zero:** 1 mV

**Span:** 1% rdg

**Proof Pressure:** 20 psi for ≤5 psi range;  
45 psi for 15 psi; 60 psi for 30 psi;  
200 psi for 100 psi

**Input Resistance:** 7.5 kΩ

**Output Resistance:** 2.5 kΩ

**Response Time:** 1 ms

**Gage Type:** Silicon sensor

**Wetted Parts:** Polyethimide, silicon,  
fluorosilicone

**Weight:** 2 g (0.07 oz)



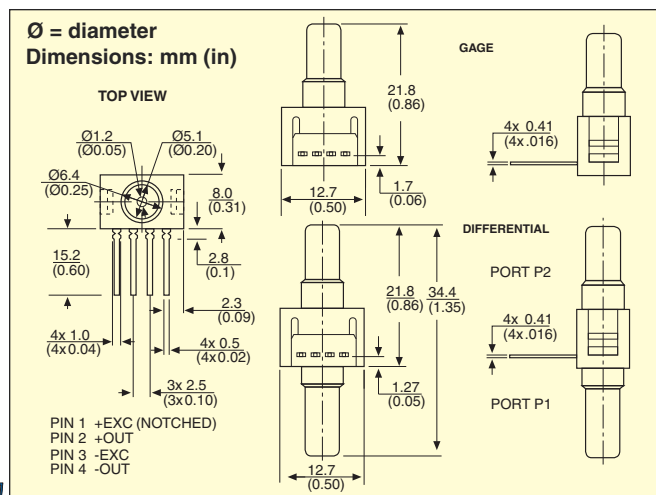
PX26-005DV, \$40, shown larger than actual size.

CX136-4 connector, \$3, sold separately, see page C-10.

DP25B-S meter, \$245, sold separately, see page D-23, shown smaller than actual size.

Tubing sold separately.

Recommended Reference Book:  
Engineering Formulas,  
**GE-0106, \$35**  
See Section Y For Additional Books



**MOST POPULAR MODELS HIGHLIGHTED!**

### To Order (Specify Model Number)

RANGE		MODEL NO.	PRICE	COMPATIBLE METERS*
psig	bar			
0 to 1	0 to 0.07	PX26-001GV	\$40	DP25B-S, DP460-S, DP41-S
0 to 5	0 to 0.34	PX26-005GV	40	DP25B-S, DP460-S, DP41-S
0 to 15	0 to 1.0	PX26-015GV	40	DP25B-S, DP460-S, DP41-S
0 to 30	0 to 2.1	PX26-030GV	40	DP25B-S, DP460-S, DP41-S
0 to 100	0 to 6.9	PX26-100GV	40	DP25B-S, DP460-S, DP41-S
0 to 250	0 to 17.2	PX26-250GV	40	DP25B-S, DP460-S, DP41-S
±1	±0.07	PX26-001DV	40	DP25B-S, DP460-S, DP41-S
±5	±0.34	PX26-005DV	40	DP25B-S, DP460-S, DP41-S
±15	±1.0	PX26-015DV	40	DP25B-S, DP460-S, DP41-S
±30	±2.1	PX26-030DV	40	DP25B-S, DP460-S, DP41-S
±100	±6.9	PX26-100DV	40	DP25B-S, DP460-S, DP41-S
±250	±17.2	PX26-250DV	40	DP25B-S, DP460-S, DP41-S

### ACCESSORIES

MODEL NO.	PRICE	DESCRIPTION
CX136-4	\$3	4-pin mating connector
TX4-100	35	4-conductor copper wire, 30.5 m (100')
TY316-100	20	Flexible plastic tubing, 30.5 m (100')

Comes complete with operator's manual.

\* See section D for compatible meters.

Ordering Example: PX26-030DV, bi-directional range of ±30 psid, \$40.



#### UNITED STATES

[www.omega.com](http://www.omega.com)  
1-800-TC-OMEGA  
Stamford, CT.

#### CANADA

[www.omega.ca](http://www.omega.ca)  
Laval(Quebec)  
1-800-TC-OMEGA

#### GERMANY

[www.omega.de](http://www.omega.de)  
Deckenpfronn, Germany  
0800-8266342

#### UNITED KINGDOM

[www.omega.co.uk](http://www.omega.co.uk)  
Manchester, England  
0800-488-488

#### FRANCE

[www.omega.fr](http://www.omega.fr)  
Guyancourt, France  
088-466-342

#### CZECH REPUBLIC

[www.omegaeng.cz](http://www.omegaeng.cz)  
Karviná, Czech Republic  
596-311-899

#### BENELUX

[www.omega.nl](http://www.omega.nl)  
Amstelveen, NL  
0800-099-33-44



## More than 100,000 Products Available!

### • Temperature

Calibrators, Connectors, General Test and Measurement Instruments, Glass Bulb Thermometers, Handheld Instruments for Temperature Measurement, Ice Point References, Indicating Labels, Crayons, Cements and Lacquers, Infrared Temperature Measurement Instruments, Recorders Relative Humidity Measurement Instruments, RTD Probes, Elements and Assemblies, Temperature & Process Meters, Timers and Counters, Temperature and Process Controllers and Power Switching Devices, Thermistor Elements, Probes and Assemblies, Thermocouples Thermowells and Head and Well Assemblies, Transmitters, Wire

### • Flow and Level

Air Velocity Indicators, Doppler Flowmeters, Level Measurement, Magnetic Flowmeters, Mass Flowmeters, Pitot Tubes, Pumps, Rotameters, Turbine and Paddle Wheel Flowmeters, Ultrasonic Flowmeters, Valves, Variable Area Flowmeters, Vortex Shedding Flowmeters

### • pH and Conductivity

Conductivity Instrumentation, Dissolved Oxygen Instrumentation, Environmental Instrumentation, pH Electrodes and Instruments, Water and Soil Analysis Instrumentation

### • Data Acquisition

Auto-Dialers and Alarm Monitoring Systems, Communication Products and Converters, Data Acquisition and Analysis Software, Data Loggers Plug-in Cards, Signal Conditioners, USB, RS232, RS485 and Parallel Port Data Acquisition Systems, Wireless Transmitters and Receivers

### • Pressure, Strain and Force

Displacement Transducers, Dynamic Measurement Force Sensors, Instrumentation for Pressure and Strain Measurements, Load Cells, Pressure Gauges, Pressure Reference Section, Pressure Switches, Pressure Transducers, Proximity Transducers, Regulators, Strain Gages, Torque Transducers, Valves

### • Heaters

Band Heaters, Cartridge Heaters, Circulation Heaters, Comfort Heaters, Controllers, Meters and Switching Devices, Flexible Heaters, General Test and Measurement Instruments, Heater Hook-up Wire, Heating Cable Systems, Immersion Heaters, Process Air and Duct, Heaters, Radiant Heaters, Strip Heaters, Tubular Heaters