

DIFFERENTIAL PRESSURE TRANSMITTER

WITH ADJUSTABLE SPAN AND ZERO

PX760 Series

Starts at
\$1050



- ✓ 10:1 Turndown
- ✓ Zero Elevation or Suppression
- ✓ Pushbutton Zero and Span Adjustment
- ✓ Adjustable Damping
- ✓ Linear or Square Root Output
- ✓ Built-In LCD Indicator
- ✓ 3 Valve Manifolds Available

The PX760 is an industrial-grade, microprocessor-based differential pressure transmitter with a 2-wire 4 to 20 mA output. The built-in 4-digit LCD indicator can display the measured pressure in bar, psi, or percent of full scale. Parameters such as span, zero, and damping can be adjusted with the 2 pushbuttons on the digital display. Units can also be configured in the field for a linear or square root output for flow applications.

SPECIFICATIONS

Excitation: 11.5 to 30 Vdc

Power Supply Effect: Negligible between 11.5 and 30 Vdc

Relation Between Supply Voltage:

17 Vdc	250 Ω max
24 Vdc	576 Ω max
30 Vdc	844 Ω max

Output: 4 to 20 mA (2 wire)

Accuracy: ±0.17% of nominal range

Linearity: ±0.1% of nominal range

Repeatability: ±0.1% of nominal range

Hysteresis: ±0.1% of nominal range

Proof Pressure: 725 psi (50 bar) on either side

Max Static Pressure: 725 psi (50 bar)

Static Pressure Effect:

Zero: ±0.5% FS per 150 psi (10 bar)

Span: ±0.5% FS per 150 psi (10 bar)

Operating Temperature:

Electrical: -20 to 80°C (-4 to 176°F)

Process Fluid: -20 to 100°C (-4 to 212°F)

Storage Temperature:

-20 to 90°C (-4 to 194°F)

Temperature Effect

(% of Nominal Range):

Zero: ±0.01%/°C (0.006%/°F)

Span: ±0.01%/°C (0.006%/°F)

LCD Reading:

Relative Humidity: 0 to 100%

Zero Adjustment:

By pushbuttons

Span Adjustment:

By pushbuttons

Digital Display: 4-digit LCD, 5 symbols (bar, mbar, psi, %, s)

Housing: Epoxy-coated cast aluminum alloy

Covers: Reinforced technopolymers

Cover O-Ring: Buna-N



PX760-20WCDI, \$1115, shown smaller than actual size.

Wetted Parts: Aluminum oxide, 316 SS, FKM

Process Connection: ¼ or ½ FNPT

Electrical Connections: Screw terminals with two ½ FNPT conduit ports

Weight: 4 kg (8.8 lb)

Environmental Protection: IP66

EQUIPMENTS AND PROTECTION SYSTEMS ATEX 94/9/CE

Intrinsic Safety: EExia IIB T6/T5/T4

Ambient Temp (°C): -20 ÷ +40

(T6)/+55 (T5)/+80 (T4)

Agency Approvals: Group II class 1G suitable for zone 0,1,2 – EN60079-10 EC type-examination certificate CESI 10 ATEX 22

Power Supply Parameters:

$U_i = 30V$

$I_i = 152 mA$

$P_i = 0.95 W$

$L_i = 135 \mu H$

$C_i = 10 nF$

Electromagnetic Compatibility:

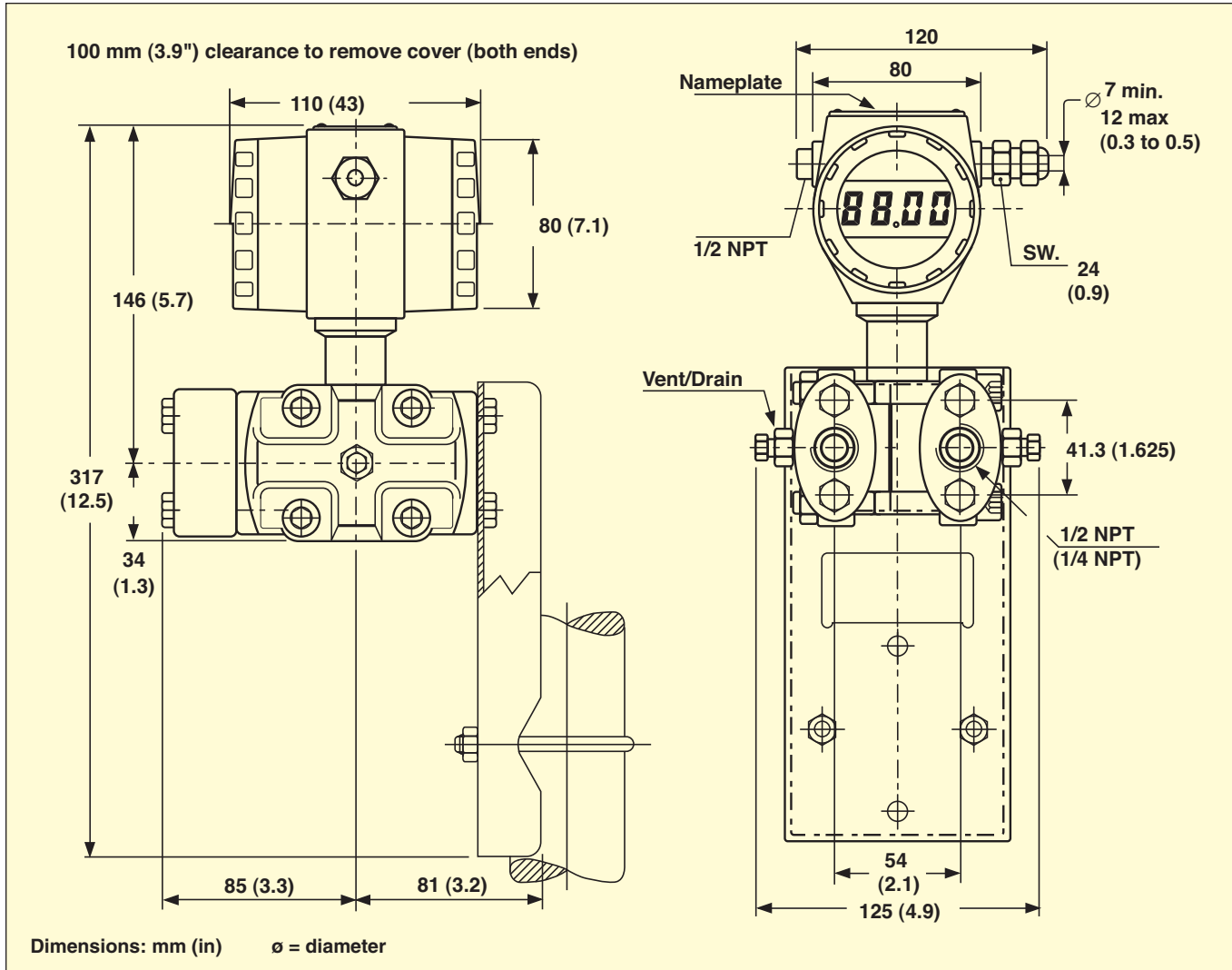
Conforms to the standard EN 50081-2

in accordance with EN 50082-2

89/336/EEC and following modifications



DIFFERENTIAL PRESSURE TRANSMITTER WITH ADJUSTABLE SPAN AND ZERO



MOST POPULAR MODELS HIGHLIGHTED!

To Order (Specify Model Number)

MODEL NO.	PRICE	CALIBRATED RANGE	SPAN LIMITS*		RANGE LIMITS		COMPATIBLE METERS**
			MIN	MAX	LOWER	UPPER	
PX760-06WCDI	\$1115	0 to 6 inH ₂ O	0.7	15.2	-7.6	7.6	DP25B-E, DP41-E, iSeries
PX760-20WCDI	1115	0 to 20 inH ₂ O	2.0	42.1	-21.1	21.1	DP25B-E, DP41-E, iSeries
PX760-100WCDI	1050	0 to 100 inH ₂ O	14.0	295	-147	147	DP25B-E, DP41-E, iSeries
PX760-250WCDI	1050	0 to 250 inH ₂ O	40.1	843	-421	421	DP25B-E, DP41-E, iSeries
PX760-600WCDI	1050	0 to 600 inH ₂ O	100	2108	-1053	1053	DP25B-E, DP41-E, iSeries
PX760-060DI	1050	0 to 60 psi	7.3	152	-76	76	DP25B-E, DP41-E, iSeries
PX760-150DI	1050	0 to 150 psi	14.5	305	-152	152	DP25B-E, DP41-E, iSeries

Accessories

MODEL NO.	PRICE	DESCRIPTION
GM3XFF	\$165	3 valve manifold with flanged process connections
GM3XK8	165	3 valve manifold with 1/2 NPT female process connections

* Must be within range limits. ** See section D for compatible meters. Comes with 1/4 FNPT to 1/2 FNPT adaptors and complete operator's manual.
Ordering Example: PX760-100WCDI, 0 to 100 inH₂O calibrated range (± 147 inH₂O max range) differential pressure transducer, \$1050.



UNITED STATES

www.omega.com
1-800-TC-OMEGA
Stamford, CT.

CANADA

www.omega.ca
Laval(Quebec)
1-800-TC-OMEGA

GERMANY

www.omega.de
Deckenpfronn, Germany
0800-8266342

UNITED KINGDOM

www.omega.co.uk
Manchester, England
0800-488-488

FRANCE

www.omega.fr
Guyancourt, France
088-466-342

CZECH REPUBLIC

www.omegaeng.cz
Karviná, Czech Republic
596-311-899

BENELUX

www.omega.nl
Amstelveen, NL
0800-099-33-44



More than 100,000 Products Available!

• Temperature

Calibrators, Connectors, General Test and Measurement Instruments, Glass Bulb Thermometers, Handheld Instruments for Temperature Measurement, Ice Point References, Indicating Labels, Crayons, Cements and Lacquers, Infrared Temperature Measurement Instruments, Recorders Relative Humidity Measurement Instruments, RTD Probes, Elements and Assemblies, Temperature & Process Meters, Timers and Counters, Temperature and Process Controllers and Power Switching Devices, Thermistor Elements, Probes and Assemblies, Thermocouples Thermowells and Head and Well Assemblies, Transmitters, Wire

• Flow and Level

Air Velocity Indicators, Doppler Flowmeters, Level Measurement, Magnetic Flowmeters, Mass Flowmeters, Pitot Tubes, Pumps, Rotameters, Turbine and Paddle Wheel Flowmeters, Ultrasonic Flowmeters, Valves, Variable Area Flowmeters, Vortex Shedding Flowmeters

• pH and Conductivity

Conductivity Instrumentation, Dissolved Oxygen Instrumentation, Environmental Instrumentation, pH Electrodes and Instruments, Water and Soil Analysis Instrumentation

• Data Acquisition

Auto-Dialers and Alarm Monitoring Systems, Communication Products and Converters, Data Acquisition and Analysis Software, Data Loggers Plug-in Cards, Signal Conditioners, USB, RS232, RS485 and Parallel Port Data Acquisition Systems, Wireless Transmitters and Receivers

• Pressure, Strain and Force

Displacement Transducers, Dynamic Measurement Force Sensors, Instrumentation for Pressure and Strain Measurements, Load Cells, Pressure Gauges, Pressure Reference Section, Pressure Switches, Pressure Transducers, Proximity Transducers, Regulators, Strain Gages, Torque Transducers, Valves

• Heaters

Band Heaters, Cartridge Heaters, Circulation Heaters, Comfort Heaters, Controllers, Meters and Switching Devices, Flexible Heaters, General Test and Measurement Instruments, Heater Hook-up Wire, Heating Cable Systems, Immersion Heaters, Process Air and Duct, Heaters, Radiant Heaters, Strip Heaters, Tubular Heaters