

INDUSTRIAL PRESSURE TRANSMITTERS WITH ADJUSTABLE SPAN AND ZERO

PX762 Series
Gage/Absolute Pressure
0-2.9 to 0-6686 psi
0-200 mbar to 0-461 bar

**Ordering Chart
on Page B-178**

All Models
\$520



- ✓ 10:1 Turndown
- ✓ Zero Elevation or Suppression
- ✓ Pushbutton Zero and Span Adjustment
- ✓ Adjustable Damping
- ✓ Built-In LCD
- ✓ ATEX Intrinsically Safe

The PX762 is an industrial-grade, microprocessor-based pressure transmitter with a 2-wire 4 to 20 mA output. The built-in 4-digit LCD indicator can display the measured pressure in bar, psi, or percent of full scale. Parameters such as span, zero, and damping can be adjusted with the 2 pushbuttons on the digital display.

SPECIFICATIONS

- Excitation:** 11.5 to 30 Vdc
- Power Supply Effect:** Negligible between 11.5 and 30 Vdc
- Relation Between Supply Voltage:**

17 Vdc	250 Ω max
24 Vdc	576 Ω max
30 Vdc	844 Ω max
- Output:** 4 to 20 mA (2 wire)
- Accuracy:** ±0.21% of nominal range
- Linearity:** ±0.15% of nominal range
- Repeatability:** ±0.1% of nominal range
- Hysteresis:** ±0.1% of nominal range
- Zero Adjustment:** By pushbuttons
- Span Adjustment:** By pushbuttons
- Operating Temperature:**
 - Electrical:** -20 to 80°C (-4 to 176°F)
 - Process Fluid:** -20 to 80°C (-4 to 176°F)
 - Storage Temperature:** -20 to 90°C (-4 to 194°F)
- Temperature Effect (% of Nominal Range):**
 - Zero:** ±0.01%/°C (0.006%/°F)
 - Span:** ±0.01%/°C (0.006%/°F)

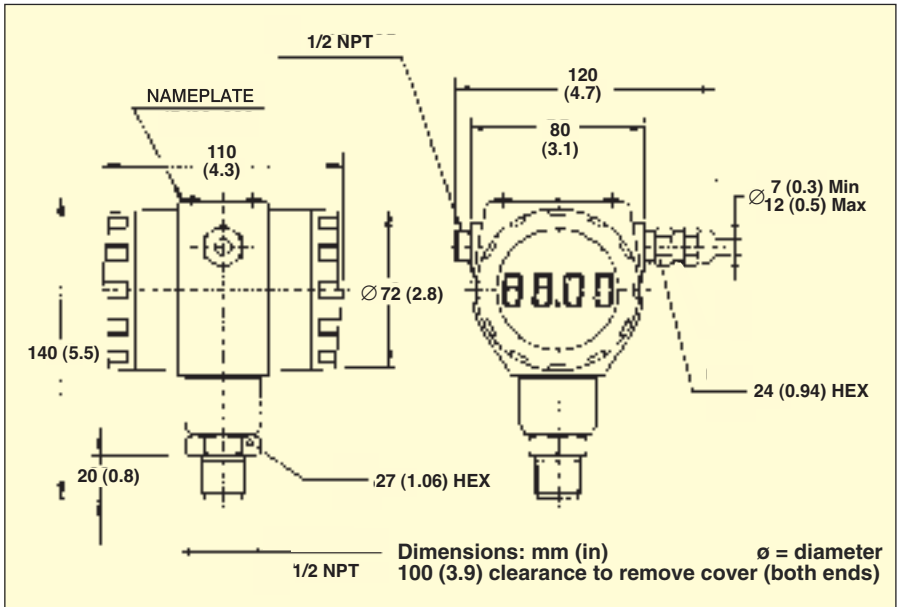
Relative Humidity: 0 to 100%
Digital Display: 4-digit LCD, 5 symbols (bar, mbar, psi, %, s)
Housing: Epoxy-coated cast aluminum alloy
Covers: Reinforced technopolymers
Cover O-Ring: Buna-N
Wetted Parts: Aluminum oxide, 316 SS, FKM
Environmental Protection: IP66
Equipments and Protection Systems ATEX 94/9/CE
 Intrinsic Safety EExia IIB T6/T5/T4
Ambient Temp (°C): -20÷+40 (T6)/+55 (T5)/+80 (T4)
 Group II class 1G suitable for zone 0, 1, 2—EN60079-10 EC type-examination certificate CESI 03 ATEX 208
Power Supply Parameters: $U_i = 30V$, $I_i = 152 mA$, $P_i = 0.95 W$, $L_i = 135 \mu H$, $C_i = 10 nF$
Electromagnetic Capability: Conforms to the standard EN 50081-2 in accordance with EN 50082-2 89/336/EEC and following modifications
Process Connection: 1/2 MNPT
Electrical Connections: Screw terminals with two 1/2 NPT conduit ports
Weight: 0.85 kg (1.9 lb)



PX762-1.5K, \$520, shown smaller than actual size.

Metric thread adaptors available, see section C.

Recommended Reference Book: Plant Design for Safety, CM-4363, \$110. See Section Y For Additional Books



CURRENT OUTPUT PRESSURE TRANSDUCERS
B

INDUSTRIAL PRESSURE TRANSMITTER

WITH ADJUSTABLE ZERO AND SPAN

316 SS WETTED PARTS

PX764 Series
Gage and Absolute Pressure
0-14 inH₂O to 0-400 psi
0-35 mbar to 0-32.5 bar

All Models
\$690



- ✓ 10:1 Turndown
- ✓ Zero Elevation or Suppression
- ✓ Pushbutton Zero and Span Adjustment
- ✓ Adjustable Damping
- ✓ Built-In LCD

The PX764 is an industrial-grade, microprocessor-based pressure transmitter with all 316 SS wetted parts and a 2-wire 4 to 20 mA output. The built-in 4-digit LCD indicator can display the measured pressure in bar, psi, or percent of full scale. Parameters such as span, zero, and damping can be adjusted with the 2 pushbuttons on the digital display.

SPECIFICATIONS

Excitation: 11.5 to 30 Vdc
Power Supply Effect: Negligible between 11.5 and 30 Vdc
Relation Between Supply Voltage:

17 Vdc	250 Ω max
24 Vdc	576 Ω max
30 Vdc	844 Ω max

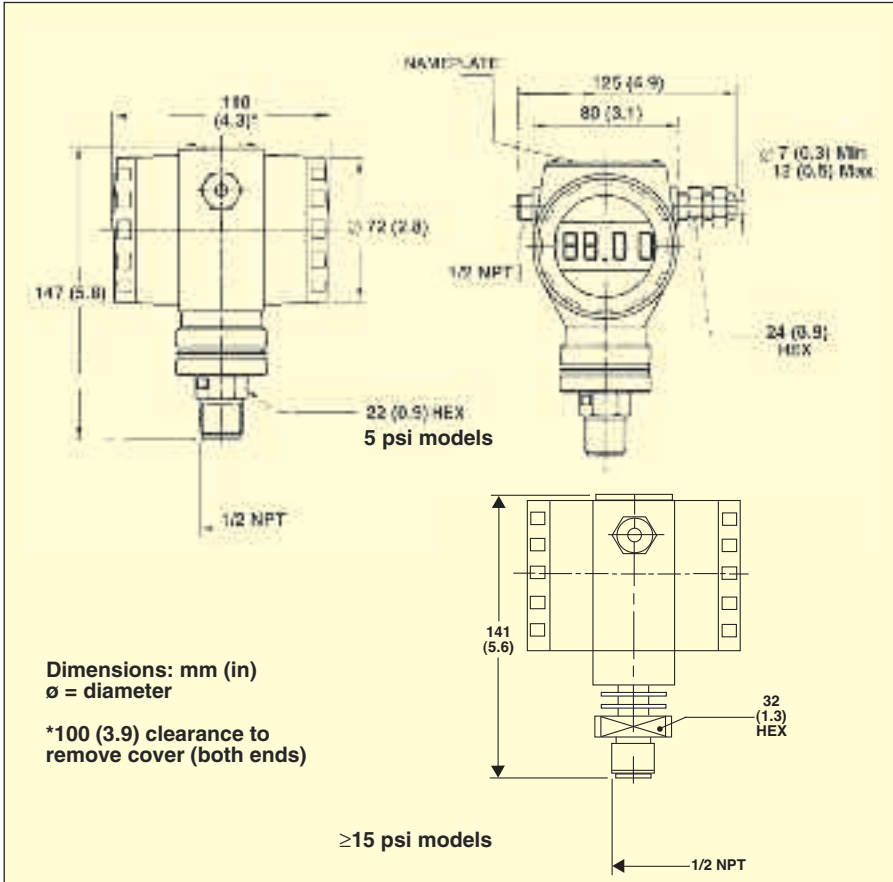
Output: 4 to 20 mA (2 wire)
Accuracy: ±0.17% of nominal range
Linearity: ±0.1% of nominal range
Repeatability: ±0.1% of nominal range
Hysteresis: ±0.1% of nominal range
Zero Adjustment: By pushbuttons
Span Adjustment: By pushbuttons
Operating Temperature:
Electrical: -20 to 80°C (-4 to 176°F)
Process Fluid: -20 to 90°C (-4 to 194°F)
Storage Temperature: -20 to 90°C (-4 to 194°F)

Temperature Effect (% of Nominal Range):
Zero: ±0.01%/°C (0.006%/°F)
Span: ±0.01%/°C (0.006%/°F)
Relative Humidity: 0 to 100%
Digital Display: 4-digit LCD, 5 symbols (bar, mbar, psi, %, s)
Housing: Epoxy-coated cast aluminum alloy
Cover O-Ring: Buna-N
Wetted Parts: 316 SS
Filling Fluid: Silicone oil
Environmental Protection: IP66
Equipments and Protection Systems: ATEX 94/9/CE
Intrinsic Safety: EExia IIB T6/T5/T4
Ambient Temp (°C): -20÷+40 (T6)/+55 (T5)/+80 (T4)
 Group II class 1G suitable for zone 0, 1, 2—EN60079-10 EC type-examination certificate CESI 03 ATEX 208
Power Supply Parameters: U_i = 30V, I_i = 152 mA, P_i = 0.95 W, L_i = 135 μH, C_i = 10 nF
Electromagnetic Capability:
 Conforms to the standard EN 50081-2 in accordance with EN 50082-2 89/336/EEC and following modifications



PX764-150GI, \$690, shown smaller than actual size.

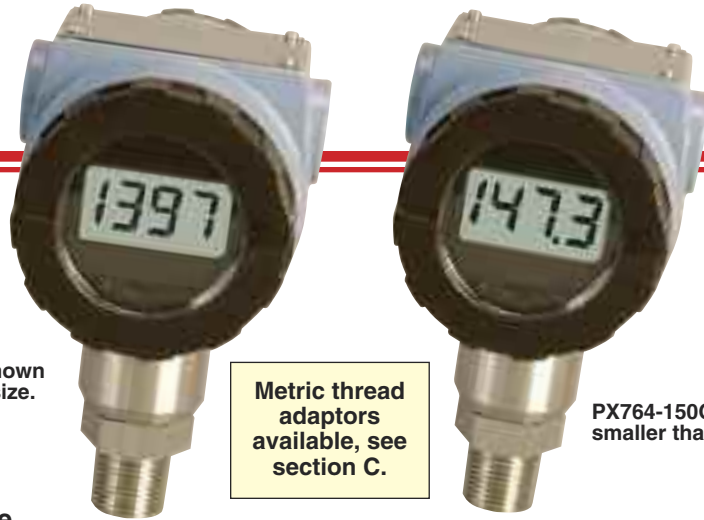
Process Connection: ½ MNPT
Electrical Connections: Screw terminals with two ½ NPT conduit ports
Weight: 1.4 kg (3.1 lb)





**Al₂O₃, 316 SS and
FKM Wetted Parts**

PX762-1.5K, \$520, shown smaller than actual size.



Metric thread adaptors available, see section C.

**316 SS
Wetted Parts**

PX764-150GI, \$690, shown smaller than actual size.

PX762 Series—Aluminum Oxide, 316 SS and FKM Wetted Parts

MOST POPULAR MODELS HIGHLIGHTED!

To Order (Specify Model Number)

MODEL NO.	PRICE	CALIBRATED RANGE	ADJUSTABLE SPAN	PROOF PRESSURE		COMPATIBLE METERS*
				psi	bar	
ABSOLUTE PRESSURE						
PX762-030AI	\$550	0 to 30 psia	0-2.9 to 0-33 psia	102	7	iSeries, DP25B-E, DP41-E
PX762-075AI	550	0 to 75 psia	0-7.25 to 83 psia	174	12	iSeries, DP25B-E, DP41-E
PX762-150AI	550	0 to 150 psia	0-14.5 to 0-167 psia	363	25	iSeries, DP25B-E, DP41-E
GAGE PRESSURE						
PX762-030GI	\$520	0 to 30 psig	0-2.9 to 0-47.9 psig	102	7	iSeries, DP25B-E, DP41-E
PX762-075GI	520	0 to 75 psig	0-7.25 to 97.9 psig	174	12	iSeries, DP25B-E, DP41-E
PX762-150GI	520	0 to 150 psig	0-14.5 to 0-181 psig	363	25	iSeries, DP25B-E, DP41-E
PX762-300GI	520	0 to 300 psig	0-29 to 0-348 psig	725	50	iSeries, DP25B-E, DP41-E
PX762-750GI	520	0 to 750 psig	0-72.5 to 0-848 psig	1740	120	iSeries, DP25B-E, DP41-E
PX762-1500GI	520	0 to 1500 psig	0-145 to 0-1682 psig	3625	250	iSeries, DP25B-E, DP41-E
PX762-3000GI	520	0 to 3000 psig	0-290 to 0-3350 psig	7250	500	iSeries, DP25B-E, DP41-E
PX762-6000GI	520	0 to 6000 psig	0-580 to 0-6686 psig	8700	600	iSeries, DP25B-E, DP41-E

Comes complete with operator's manual.

* See section D for compatible meters.

Ordering Example: PX762-150GI, 0 to 150 psi gage pressure transducer, \$520.

PX764 Series—316 SS Wetted Parts

MODEL NO.	PRICE	CALIBRATED RANGE	ADJUSTABLE SPAN	PROOF PRESSURE		COMPATIBLE METERS*
				psi	bar	
ABSOLUTE PRESSURE						
PX764-005AI	\$690	0 to 138 inH ₂ O	0-14 to 0-147 inH ₂ O	29	2	iSeries, DP25B-E, DP41-E
PX764-015AI	690	0 to 415 inH ₂ O	0-40 to 0-421 inH ₂ O	87	6	iSeries, DP25B-E, DP41-E
PX764-030AI	690	0 to 830 inH ₂ O	0-100 to 0-1053 inH ₂ O	145	10	iSeries, DP25B-E, DP41-E
PX764-060AI	690	0 to 60 psia	0-7.25 to 0-76 psia	232	16	iSeries, DP25B-E, DP41-E
PX764-150AI	690	0 to 150 psia	0-14.5 to 0-152 psia	435	30	iSeries, DP25B-E, DP41-E
GAGE PRESSURE						
PX764-005GI	\$690	0 to 138 inH ₂ O	0-14 to 0-147 inH ₂ O	319	22	iSeries, DP25B-E, DP41-E
PX764-015GI	690	0 to 415 inH ₂ O	0-40 to 0-421 inH ₂ O	87	6	iSeries, DP25B-E, DP41-E
PX764-030GI	690	0 to 830 inH ₂ O	0-100 to 0-1053 inH ₂ O	145	10	iSeries, DP25B-E, DP41-E
PX764-060GI	690	0 to 60 psig	0-7.25 to 0-76 psig	232	16	iSeries, DP25B-E, DP41-E
PX764-150GI	690	0 to 150 psig	0-14.5 to 0-152 psig	435	30	iSeries, DP25B-E, DP41-E
PX764-400GI	690	0 to 400 psig	0-14.5 to 0-456 psig	1088	75	iSeries, DP25B-E, DP41-E

Comes complete with operator's manual.

* See section D for compatible meters.

Ordering Example: PX764-150GI, 0 to 150 psi gage pressure transducer with 316 SS wetted parts, \$690.



UNITED STATES

www.omega.com
1-800-TC-OMEGA
Stamford, CT.

CANADA

www.omega.ca
Laval(Quebec)
1-800-TC-OMEGA

GERMANY

www.omega.de
Deckenpfronn, Germany
0800-8266342

UNITED KINGDOM

www.omega.co.uk
Manchester, England
0800-488-488

FRANCE

www.omega.fr
Guyancourt, France
088-466-342

CZECH REPUBLIC

www.omegaeng.cz
Karviná, Czech Republic
596-311-899

BENELUX

www.omega.nl
Amstelveen, NL
0800-099-33-44



More than 100,000 Products Available!

• Temperature

Calibrators, Connectors, General Test and Measurement Instruments, Glass Bulb Thermometers, Handheld Instruments for Temperature Measurement, Ice Point References, Indicating Labels, Crayons, Cements and Lacquers, Infrared Temperature Measurement Instruments, Recorders Relative Humidity Measurement Instruments, RTD Probes, Elements and Assemblies, Temperature & Process Meters, Timers and Counters, Temperature and Process Controllers and Power Switching Devices, Thermistor Elements, Probes and Assemblies, Thermocouples Thermowells and Head and Well Assemblies, Transmitters, Wire

• Flow and Level

Air Velocity Indicators, Doppler Flowmeters, Level Measurement, Magnetic Flowmeters, Mass Flowmeters, Pitot Tubes, Pumps, Rotameters, Turbine and Paddle Wheel Flowmeters, Ultrasonic Flowmeters, Valves, Variable Area Flowmeters, Vortex Shedding Flowmeters

• pH and Conductivity

Conductivity Instrumentation, Dissolved Oxygen Instrumentation, Environmental Instrumentation, pH Electrodes and Instruments, Water and Soil Analysis Instrumentation

• Data Acquisition

Auto-Dialers and Alarm Monitoring Systems, Communication Products and Converters, Data Acquisition and Analysis Software, Data Loggers Plug-in Cards, Signal Conditioners, USB, RS232, RS485 and Parallel Port Data Acquisition Systems, Wireless Transmitters and Receivers

• Pressure, Strain and Force

Displacement Transducers, Dynamic Measurement Force Sensors, Instrumentation for Pressure and Strain Measurements, Load Cells, Pressure Gauges, Pressure Reference Section, Pressure Switches, Pressure Transducers, Proximity Transducers, Regulators, Strain Gages, Torque Transducers, Valves

• Heaters

Band Heaters, Cartridge Heaters, Circulation Heaters, Comfort Heaters, Controllers, Meters and Switching Devices, Flexible Heaters, General Test and Measurement Instruments, Heater Hook-up Wire, Heating Cable Systems, Immersion Heaters, Process Air and Duct, Heaters, Radiant Heaters, Strip Heaters, Tubular Heaters