

# SUBMERSIBLE PRESSURE TRANSMITTER

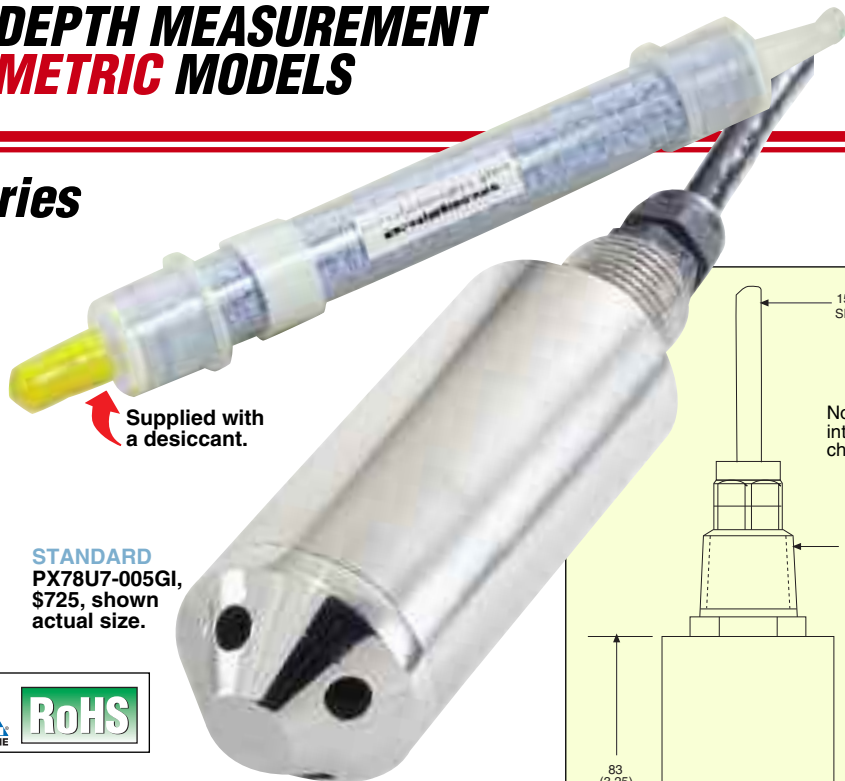
## FOR LEVEL AND DEPTH MEASUREMENT

### STANDARD AND METRIC MODELS

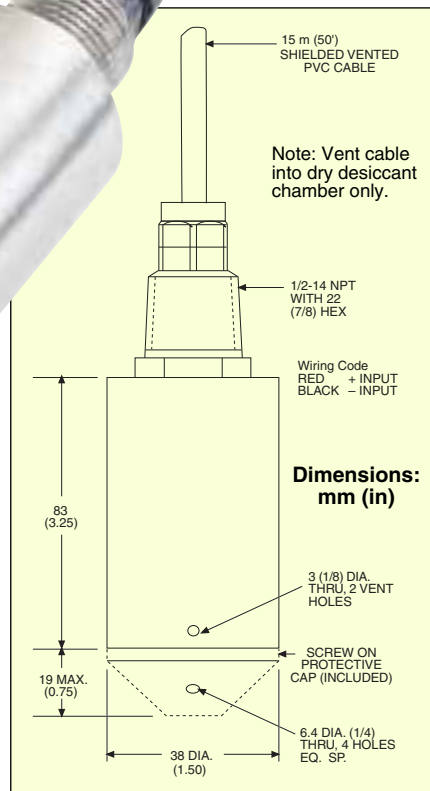
## PX78/PXM78 Series

**4-20 mA Output**  
**0-4 to 0-15 psi**  
**0-275 mb to 1 bar**  
**38 mm (1.5") Dia.**

Starts at  
**\$725**



**STANDARD**  
**PX78U7-005GI,**  
**\$725, shown**  
**actual size.**



- ✓ All Stainless Steel Housing
- ✓ Hermetically Sealed
- ✓ Protective Cap Included
- ✓ 15 m (50') Vented Cable Standard

**Pressure Port:** Nose protector included  
**Electrical Connection:**  
 15 m (50') PVC-insulated shielded and vented cable

*Notice: OMEGA does not offer a warranty on this product, its use, or application. It is the end user's responsibility to assure proper installation and use of this transmitter.*

OMEGA's PX78/PXM78 are submersible transmitter suitable for liquid level and depth measurement. Their all stainless steel, hermetically sealed housing makes them suitable for immersion in most industrial liquids and oils. A 15 m (50') vented cable (longer lengths available) provides an atmospheric pressure reference.

### SPECIFICATIONS

**Excitation:** 10 to 40 Vdc  
**Output:** 4 to 20 mA ±10%  
**Max Loop Resistance:**  
 (Input voltage - 10) x 50  
**Zero Balance:** 4 mA ±0.5%  
**Accuracy:** 0.5% linearity, hysteresis and repeatability combined  
**Operating Temp Range:**  
 -29 to 93°C (-20 to 200°F)  
**Compensated Temp Range:**  
 16 to 71°C (60 to 160°F)  
**Thermal Effects:**  
 Span: 0.0054% rdg/°C  
 Zero: 0.009% FSO/°C

**Proof Pressure:** 150% of rated pressure  
**Burst Pressure:** 300% of rated pressure  
**Wetted Parts:** 316 stainless steel diaphragm, 17-4 stainless steel housing

### STANDARD MODELS   MOST POPULAR MODELS HIGHLIGHTED!

To Order (Specify Model Number) 15 m (50') Cable					
psig	bar	ftH <sub>2</sub> O	MODEL NO.	PRICE	COMPATIBLE METERS*
0 to 4	0 to 0.27	9.2	PX78U7-004GI	\$725	DP41-E, DP25B-E, DP24-E
0 to 5	0 to 0.34	11.5	PX78U7-005GI	725	DP41-E, DP25B-E, DP24-E
0 to 10	0 to 0.69	23.1	PX78U7-010GI	725	DP41-E, DP25B-E, DP24-E
0 to 15	0 to 1.0	34.6	PX78U7-015GI	725	DP41-E, DP25B-E, DP24-E

### METRIC MODELS

mbar	psi	mH <sub>2</sub> O	MODEL NO.	PRICE	COMPATIBLE METERS*
0 to 270	0 to 4	2.8	PXM78U7-275MBARGI	\$725	DP41-E, DP25B-E, DP24-E
0 to 350	0 to 5	3.6	PXM78U7-350MBARGI	725	DP41-E, DP25B-E, DP24-E
0 to 700	0 to 10	7.1	PXM78U7-700MBARGI	725	DP41-E, DP25B-E, DP24-E
0 to 1 bar	0 to 15	10.2	PXM78U7-001BARGI	725	DP41-E, DP25B-E, DP24-E

Comes complete with NIST traceable calibration, desiccant and operator's manual.  
 \* See section D for compatible meters.

To order with extra cable, add suffix "--(length in meters)M" and \$8/m beyond standard 15 m (50') length.

**Ordering Examples:** PX78U7-015GI-100FT, 15 psi transmitter with 4 to 20 mA output and 30 m (100') vented cable, \$725 + (15 x 8) = \$845.

PXM78U7-350MBARGI-30M, 350 mbar gage pressure transmitter with 4 to 20 mA output and 30 m (100') total length of vented cable, \$725 + (15 x 8) = \$845.

### ACCESSORY

MODEL NO.	PRICE	DESCRIPTION
A019385	\$35	Replacement desiccant



#### UNITED STATES

[www.omega.com](http://www.omega.com)  
1-800-TC-OMEGA  
Stamford, CT.

#### CANADA

[www.omega.ca](http://www.omega.ca)  
Laval(Quebec)  
1-800-TC-OMEGA

#### GERMANY

[www.omega.de](http://www.omega.de)  
Deckenpfronn, Germany  
0800-8266342

#### UNITED KINGDOM

[www.omega.co.uk](http://www.omega.co.uk)  
Manchester, England  
0800-488-488

#### FRANCE

[www.omega.fr](http://www.omega.fr)  
Guyancourt, France  
088-466-342

#### CZECH REPUBLIC

[www.omegaeng.cz](http://www.omegaeng.cz)  
Karviná, Czech Republic  
596-311-899

#### BENELUX

[www.omega.nl](http://www.omega.nl)  
Amstelveen, NL  
0800-099-33-44



## More than 100,000 Products Available!

### • Temperature

Calibrators, Connectors, General Test and Measurement Instruments, Glass Bulb Thermometers, Handheld Instruments for Temperature Measurement, Ice Point References, Indicating Labels, Crayons, Cements and Lacquers, Infrared Temperature Measurement Instruments, Recorders Relative Humidity Measurement Instruments, RTD Probes, Elements and Assemblies, Temperature & Process Meters, Timers and Counters, Temperature and Process Controllers and Power Switching Devices, Thermistor Elements, Probes and Assemblies, Thermocouples Thermowells and Head and Well Assemblies, Transmitters, Wire

### • Flow and Level

Air Velocity Indicators, Doppler Flowmeters, Level Measurement, Magnetic Flowmeters, Mass Flowmeters, Pitot Tubes, Pumps, Rotameters, Turbine and Paddle Wheel Flowmeters, Ultrasonic Flowmeters, Valves, Variable Area Flowmeters, Vortex Shedding Flowmeters

### • pH and Conductivity

Conductivity Instrumentation, Dissolved Oxygen Instrumentation, Environmental Instrumentation, pH Electrodes and Instruments, Water and Soil Analysis Instrumentation

### • Data Acquisition

Auto-Dialers and Alarm Monitoring Systems, Communication Products and Converters, Data Acquisition and Analysis Software, Data Loggers Plug-in Cards, Signal Conditioners, USB, RS232, RS485 and Parallel Port Data Acquisition Systems, Wireless Transmitters and Receivers

### • Pressure, Strain and Force

Displacement Transducers, Dynamic Measurement Force Sensors, Instrumentation for Pressure and Strain Measurements, Load Cells, Pressure Gauges, Pressure Reference Section, Pressure Switches, Pressure Transducers, Proximity Transducers, Regulators, Strain Gages, Torque Transducers, Valves

### • Heaters

Band Heaters, Cartridge Heaters, Circulation Heaters, Comfort Heaters, Controllers, Meters and Switching Devices, Flexible Heaters, General Test and Measurement Instruments, Heater Hook-up Wire, Heating Cable Systems, Immersion Heaters, Process Air and Duct, Heaters, Radiant Heaters, Strip Heaters, Tubular Heaters