

Ready-Made Insulated Thermocouples

**MEETS OR EXCEEDS
SPECIAL LIMITS
OF ERROR (SLE)
AND EN 60584-2:
Tolerance Class 1**

**OMEGACAL™
Factory CAL
AVAILABLE**
See Section I

with Standard or Miniature Size Spool Caddies

5SC/5LSC
Starts at
\$58
5-Pack



Fine
40-Gage PFA
Insulated
Thermocouples

ANSI
color
code
shown

To order
IEC color
code see
page A-9

- ✓ Available from Stock in Convenient 5-Packs
- ✓ NIST Calibration Available
- ✓ Type J, K, T, and E Thermocouples
- ✓ Glass Braid Insulation Has Max Service Temp of 480°C (900°F)
- ✓ PFA Insulation Has Max Service Temp of 260°C (500°F)
- ✓ Kapton® Insulation Has Max Service Temp of 316°C (600°F)
- ✓ 1 and 2 m (40 and 80") Lengths Standard
- ✓ Max Service Temp for Connector Body and Spool Caddy: 220°C (425°F)

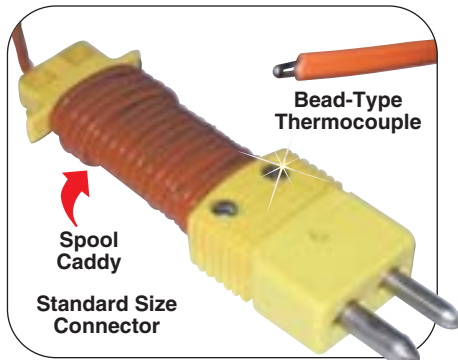


Kapton®
Insulation
Available

Custom Lengths,
Insulations, and
Configurations
Available!

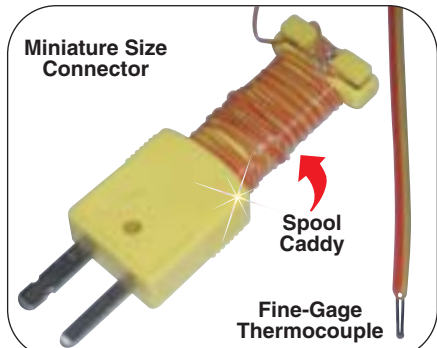
PATENTED
Covered by U.S.
and International
patents and pending
applications.

Shown smaller than actual size.



Standard Size
Connector

Spool caddy provides a convenient way to store thermocouples.



Miniature Size
Connector

Fine-Gage
Thermocouple

Both connectors shown smaller than actual size.

Mini SMP Spool Caddy Thermocouples

**MOST POPULAR
MODELS HIGHLIGHTED!**

To Order (Specify Model Number)						
Model Number** ANSI Color Code	AWG Gage	Diameter mm (in)	Price / 5-Pack		Insulation	
			1 m (40")	2 m (80")		
5SC-GG-(*)-30-(**)	30	0.25 (0.010)	\$58	\$68	Glass Braid	
5SC-TT-(*)-30-(**)	30	0.25 (0.010)	69	89	PFA	
5SC-TT-(*)-36-(**)	36	0.13 (0.005)	75	95	PFA	
5SC-TT-(*)-40-(**)	40	0.076 (0.003)	85	105	PFA	
5SC-KK-(*)-30-(**)	30	0.25 (0.010)	110	138	Kapton®	

Standard OST Spool Caddy Thermocouples

To Order (Specify Model Number)						
Model Number ANSI Color Code	AWG Gage	Diameter mm (in)	Price / 5-Pack		Insulation	
			1 m (40")	2 m (80")		
5LSC-GG-(*)-20-(**)	20	0.81 (0.032)	\$64	\$74	Glass Braid	
5LSC-GG-(*)-24-(**)	24	0.51 (0.020)	58	68	Glass Braid	
5LSC-TT-(*)-20-(**)	20	0.81 (0.030)	75	95	PFA	
5LSC-TT-(*)-24-(**)	24	0.51 (0.020)	64	74	PFA	
5LSC-KK-(*)-20-(**)	20	0.81 (0.032)	96	124	Kapton®	
5LSC-KK-(*)-24-(**)	24	0.51 (0.020)	80	94	Kapton®	

* Insert calibration J, K, T or E. **Specify length: insert "36" for 1 m or "72" for 2 m length.

Note: Add \$5 per additional 300 mm (1') per package of 5 for GG or TT wire.
For KK wire add \$8 per additional 300 mm (1') per package.

Ordering Examples: 5SC-TT-K-36-72, 5-pack of Type K mini SMP spool caddy thermocouples with 2 m (80") 36 AWG PFA insulated wire, \$95. 5LSC-GG-K-20-72, 5-pack of Type K standard size spool caddy thermocouples with 2 m (80") 20 AWG glass braid insulated wire, \$74.



UNITED STATES

www.omega.com
1-800-TC-OMEGA
Stamford, CT.

CANADA

www.omega.ca
Laval(Quebec)
1-800-TC-OMEGA

GERMANY

www.omega.de
Deckenpfronn, Germany
0800-8266342

UNITED KINGDOM

www.omega.co.uk
Manchester, England
0800-488-488

FRANCE

www.omega.fr
Guyancourt, France
088-466-342

CZECH REPUBLIC

www.omegaeng.cz
Karviná, Czech Republic
596-311-899

BENELUX

www.omega.nl
Amstelveen, NL
0800-099-33-44



More than 100,000 Products Available!

• Temperature

Calibrators, Connectors, General Test and Measurement Instruments, Glass Bulb Thermometers, Handheld Instruments for Temperature Measurement, Ice Point References, Indicating Labels, Crayons, Cements and Lacquers, Infrared Temperature Measurement Instruments, Recorders Relative Humidity Measurement Instruments, RTD Probes, Elements and Assemblies, Temperature & Process Meters, Timers and Counters, Temperature and Process Controllers and Power Switching Devices, Thermistor Elements, Probes and Assemblies, Thermocouples Thermowells and Head and Well Assemblies, Transmitters, Wire

• Flow and Level

Air Velocity Indicators, Doppler Flowmeters, Level Measurement, Magnetic Flowmeters, Mass Flowmeters, Pitot Tubes, Pumps, Rotameters, Turbine and Paddle Wheel Flowmeters, Ultrasonic Flowmeters, Valves, Variable Area Flowmeters, Vortex Shedding Flowmeters

• pH and Conductivity

Conductivity Instrumentation, Dissolved Oxygen Instrumentation, Environmental Instrumentation, pH Electrodes and Instruments, Water and Soil Analysis Instrumentation

• Data Acquisition

Auto-Dialers and Alarm Monitoring Systems, Communication Products and Converters, Data Acquisition and Analysis Software, Data Loggers Plug-in Cards, Signal Conditioners, USB, RS232, RS485 and Parallel Port Data Acquisition Systems, Wireless Transmitters and Receivers

• Pressure, Strain and Force

Displacement Transducers, Dynamic Measurement Force Sensors, Instrumentation for Pressure and Strain Measurements, Load Cells, Pressure Gauges, Pressure Reference Section, Pressure Switches, Pressure Transducers, Proximity Transducers, Regulators, Strain Gages, Torque Transducers, Valves

• Heaters

Band Heaters, Cartridge Heaters, Circulation Heaters, Comfort Heaters, Controllers, Meters and Switching Devices, Flexible Heaters, General Test and Measurement Instruments, Heater Hook-up Wire, Heating Cable Systems, Immersion Heaters, Process Air and Duct, Heaters, Radiant Heaters, Strip Heaters, Tubular Heaters