

# High-Performance Readout Pyrometers

## With Parallax Mirror Display

7000 Series  
Starts at  
**\$999**



- ✓ Self-Powered
- ✓ Taut Band Mechanism Standard
- ✓ Phenolic Fronts
- ✓ Glass Windows
- ✓ Proven Reliability
- ✓ Accurate Measurement and Display
- ✓ Wide Selection of Ranges
- ✓ 3 Choices of Mounting: Front-Panel, Bezel, or Bench Stand

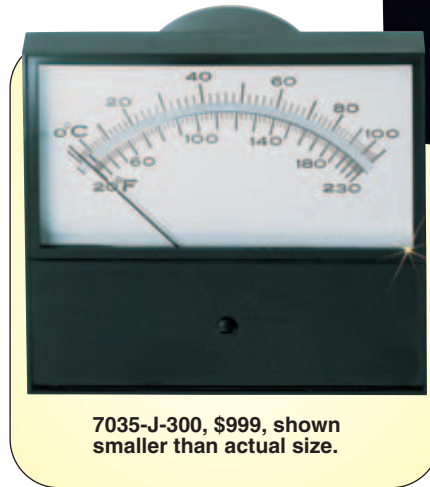
OMEGA® Series 7000 meters have thermocouple ranges calibrated for 10 Ω external resistance and are supplied with an adjustable 10 Ω resistor for use with thermocouples of lower resistance.

### Specifications

**Accuracy:** ±2%  
**Tracking:** None  
**Balance:** ±1%  
**Repeatability (Taut Band Mechanism):** <¼%

*Effects of shock, vibration, humidity and temperature are equal to or better than ANSI C39.1 - 1981.  
 Safety (dielectric test, leakage and other hazards): instruments are equal to or better than ANSI C39.5 - 1974.  
 The above tolerance limits apply to the standard ranges listed in this bulletin.  
 Special instruments may vary from these limits. Rated circuit to ground voltage = 80 Vms (1100 peak)*

7035-T-100, \$999, shown smaller than actual size.



7035-J-300, \$999, shown smaller than actual size.

### Thermocouple Specifications

Thermistor-type copper error compensation. Current sensitivity is approximately 4 Ω/mV (250 mA). Automatic bimetal cold-junction compensation for changes in ambient temperature. Mirrored scales with knife edge pointers are standard on all pyrometer models.

### Thermocouple Ranges

Standard Ranges		
T/C	°C	°F
T	-130 to 40	-200 to 100
J	-100 to 120	-150 to 250
	-70 to 310	-100 to 600
	-60 to 110	-75 to 225
	0 to 150	0 to 300
	0 to 260	0 to 500
	0 to 430	0 to 800
K	0 to 500	0 to 1000
	0 to 800	0 to 1500
	0 to 1100	0 to 2000
R	0 to 1370	0 to 2500
	0 to 1650	0 to 3000

**Bezel Mount Style**

**3 Mounting Styles**

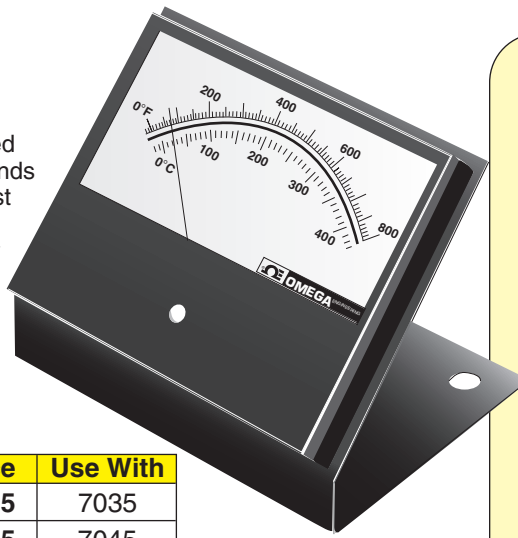
- 1) Front-Panel Mount Standard
- 2) Rear-Panel Mount Using Bezel Mounting Kit (See Below)
- 3) Bench Stands (Models: S-35, S-45, S-55— See Next Page)

**Bezel Mounting Kits**

Model No.	Price	Use with
7045-BMK	\$34	7045
7055-BMK	51	7055

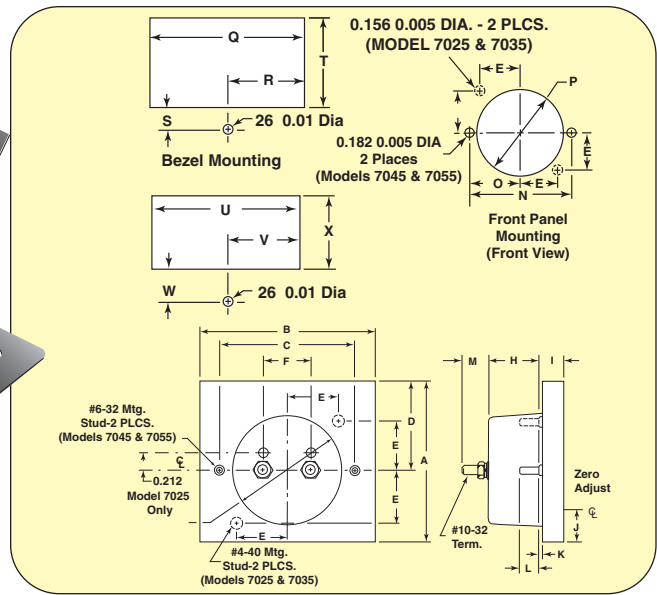
## Series 7000 Bench Stands \$15 Each

Heavy-gage anodized aluminum bench stands are available for most pyrometer models. These simplify many laboratory applications. See table for model and part numbers.



### Bench Stands

Model No.	Price	Use With
S-35	\$15	7035
S-45	15	7045
S-55	15	7055



Model No.	A	B	C	D	E	F	G	H	I	J	K	L
7035	3.04 max	3.5 max	—	1.53 max	1.125 ±0.01	1.25 ±0.01	2.79 max	1.37 max	0.60 max	0.53 ±0.02	0.02 max	0.56 ±0.02
7045	4.09 max	4.64 max	3.5 ±0.01	2.29 ±0.03	—	1.25 ±0.01	2.79 max	1.37 max	0.60 max	0.77 ±0.02	0.02 max	0.56 ±0.02
7055	4.53 max	5.66 max	4.50 ±0.01	2.695 ±0.02	—	1.25 ±0.01	2.79 max	1.37 max	0.58 max	0.845 ±0.02	0.02 max	0.56 ±0.01
Model No.	M	N	O	P	Q	R	S	T	U	V	W	X
7035	0.675 Max	—	—	2.810 ±0.15	3.718 +0.030 -0.000	1.859 +0.015 -0.000	— 0.44 ±0.01	2.156 +0.030 -0.000	3.105 ±0.015	1.552 ±0.008	0.76 ±0.01	1.515 ±0.015
7045	0.675 max	3.50 ±0.01	1.750 ±0.005	2.810 ±0.015	4.812 +0.030 -0.000	2.406 +0.015 -0.000	— 0.63 ±0.01	2.75 +0.03 -0.00	4.205 ±0.015	2.102 ±0.008	0.95 ±0.01	2.125 ±0.015
7055	0.675 max	4.50 ±0.01	2.250 ±0.005	2.810 ±0.015	5.875 +0.030 -0.000	2.937 +0.015 -0.000	— 0.64 ±0.01	3.156 -0.000	5.240 ±0.015	2.620 ±0.008	0.98 ±0.01	2.500 ±0.015

### MOST POPULAR MODELS HIGHLIGHTED!

Model 7035 (2% accuracy)		Model 7045 (2% accuracy)		Model 7055 (2% accuracy)		Temperature Ranges		Thermocouple*	ANSI Type
Model No.	Price	Model No.	Price	Model No.	Price	°C	°F		
7035-T-100	\$999	7045-T-100	\$1050	7055-T-100	\$1150	-130 to 40	-200 to 100	Cu/C	T
—	—	7045-T-250	1050	7055-T-250	1150	-100 to 140	-150 to 250	Cu/C	T
—	—	7045-T-225	1050	—	—	-60 to 100	-75 to 225	Cu/C	T
7035-J-250	999	7045-J-250	1050	7055-J-250	1150	-100 to 120	-150 to 250	I/C	J
7035-J-600	999	7045-J-600	1050	7055-J-600	1150	-70 to 310	-100 to 600	I/C	J
7035-J-225	999	7045-J-225	1050	7055-J-225	1150	-60 to 110	-75 to 225	I/C	J
7035-J-300	999	7045-J-300	1050	7055-J-300	1150	0 to 150	0 to 300	I/C	J
7035-J-500	999	7045-J-500	1050	7055-J-500	1150	0 to 260	0 to 500	I/C	J
7035-J-800	999	7045-J-800	1050	7055-J-800	1150	0 to 430	0 to 800	I/C	J
7035-J-1000	999	7045-J-1000	1050	7055-J-1000	1150	0 to 500	0 to 1000	I/C	J
7035-K-1000	999	7045-K-1000	1050	7055-K-1000	1150	-20 to 540	0 to 1000	C/A	K
7035-K-1500	999	7045-K-1500	1050	7055-K-1500	1150	0 to 800	0 to 1500	C/A	K
7035-K-2000	999	7045-K-2000	1050	7055-K-2000	1150	0 to 1100	0 to 2000	C/A	K
7035-K-2500	999	7045-K-2500	1050	7055-K-2500	1150	0 to 1370	0 to 2500	C/A	K
7035-E-225	999	—	—	7055-E-225	1150	-60 to 110	-75 to 225	Ch/C	E
7035-E-300	999	7045-E-300	1050	7055-E-300	1150	0 to 150	0 to 300	Ch/C	E
—	—	—	—	7055-E-500	1150	0 to 260	0 to 500	Ch/C	E
7035-E-800	999	—	—	7055-E-800	1150	0 to 430	0 to 800	Ch/C	E
—	—	—	—	7055-E-1500	1150	0 to 800	0 to 1500	Ch/C	E
7035-R-3000	999	7045-R-3000	1050	7055-R-3000	1150	0 to 1650	0 to 3000	Pt/Pt 13% Rh	R
—	—	—	—	7055-S-3000	1150	0 to 1650	0 to 3000	Pt/Pt 10% Rh	S

Comes complete with operator's manual.

\* Cu/C signifies copper vs. constantan. I/C signifies iron vs. constantan.

Ch/C signifies CHROMEPA vs. constantan.

C/A signifies CHROMEPA vs. ALOMEGA.

**Ordering Examples:** 7035-J-250, high performance readout pyrometer, Type J thermocouple, \$999. 7045-K-1000, high performance readout pyrometer, Type K thermocouple, \$1050.



#### UNITED STATES

[www.omega.com](http://www.omega.com)  
1-800-TC-OMEGA  
Stamford, CT.

#### CANADA

[www.omega.ca](http://www.omega.ca)  
Laval(Quebec)  
1-800-TC-OMEGA

#### GERMANY

[www.omega.de](http://www.omega.de)  
Deckenpfronn, Germany  
0800-8266342

#### UNITED KINGDOM

[www.omega.co.uk](http://www.omega.co.uk)  
Manchester, England  
0800-488-488

#### FRANCE

[www.omega.fr](http://www.omega.fr)  
Guyancourt, France  
088-466-342

#### CZECH REPUBLIC

[www.omegaeng.cz](http://www.omegaeng.cz)  
Karviná, Czech Republic  
596-311-899

#### BENELUX

[www.omega.nl](http://www.omega.nl)  
Amstelveen, NL  
0800-099-33-44



## More than 100,000 Products Available!

### • Temperature

Calibrators, Connectors, General Test and Measurement Instruments, Glass Bulb Thermometers, Handheld Instruments for Temperature Measurement, Ice Point References, Indicating Labels, Crayons, Cements and Lacquers, Infrared Temperature Measurement Instruments, Recorders Relative Humidity Measurement Instruments, RTD Probes, Elements and Assemblies, Temperature & Process Meters, Timers and Counters, Temperature and Process Controllers and Power Switching Devices, Thermistor Elements, Probes and Assemblies, Thermocouples Thermowells and Head and Well Assemblies, Transmitters, Wire

### • Flow and Level

Air Velocity Indicators, Doppler Flowmeters, Level Measurement, Magnetic Flowmeters, Mass Flowmeters, Pitot Tubes, Pumps, Rotameters, Turbine and Paddle Wheel Flowmeters, Ultrasonic Flowmeters, Valves, Variable Area Flowmeters, Vortex Shedding Flowmeters

### • pH and Conductivity

Conductivity Instrumentation, Dissolved Oxygen Instrumentation, Environmental Instrumentation, pH Electrodes and Instruments, Water and Soil Analysis Instrumentation

### • Data Acquisition

Auto-Dialers and Alarm Monitoring Systems, Communication Products and Converters, Data Acquisition and Analysis Software, Data Loggers Plug-in Cards, Signal Conditioners, USB, RS232, RS485 and Parallel Port Data Acquisition Systems, Wireless Transmitters and Receivers

### • Pressure, Strain and Force

Displacement Transducers, Dynamic Measurement Force Sensors, Instrumentation for Pressure and Strain Measurements, Load Cells, Pressure Gauges, Pressure Reference Section, Pressure Switches, Pressure Transducers, Proximity Transducers, Regulators, Strain Gages, Torque Transducers, Valves

### • Heaters

Band Heaters, Cartridge Heaters, Circulation Heaters, Comfort Heaters, Controllers, Meters and Switching Devices, Flexible Heaters, General Test and Measurement Instruments, Heater Hook-up Wire, Heating Cable Systems, Immersion Heaters, Process Air and Duct, Heaters, Radiant Heaters, Strip Heaters, Tubular Heaters