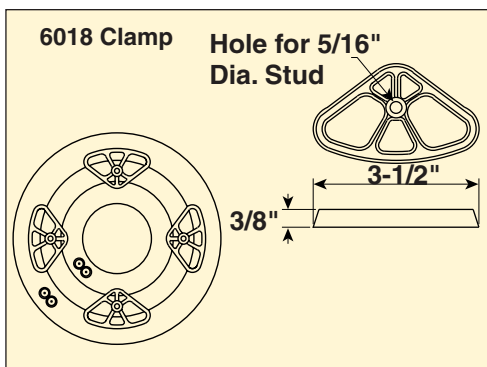


"A" SERIES RING HEATERS



- ✓ U.L. Component Recognized
- ✓ CSA Certified
- ✓ For Flat Surfaces
- ✓ Rugged, Heavy Duty

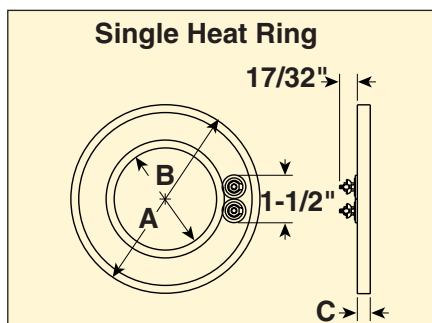


APPLICATION

- ✓ Tank Bottoms
- ✓ Glue and Lead Melting Pots
- ✓ Dies
- ✓ Platens
- ✓ Valve Flanges
- ✓ Incubators
- ✓ Hotplates
- ✓ Vulcanizers

FEATURES

Single-heat rings have two terminals for single wattage, ON-OFF switch or thermostat.



Three-heat rings have three terminals which split the total rated wattage into two equal circuits. By using a three-heat switch 1/4, 1/2 or full wattage may be obtained. Use the two equal circuits in parallel to obtain full wattage. Center terminal is common.

Refractory-insulated construction exclusively. By far the most rugged and best for long, dependable service.

Easy installation. The circular shape and the use of OMEGALUX® utility clamps simplifies the use of ring heaters. **Nesting rings to pack heat in a small area** can be done by installing rings within each other. For examples: A-651, A-802 and A-903 provide 4050 watts within a 10³/₃₂" circle.

Utility clamps.

Usually used in sets of 4 to clamp ring elements on flat surfaces. 5/16" flat-head machine screws are normally used, with head brazed or welded to work surface.

To order utility clamps, ask for Model No. **6018 Clamp, \$5.35 each.**

SPECIFICATION

Power: 120 or 240V

Wattage: 125 to 1800 watts

Sheath Material: Chrome Steel

Max. Sheath Temperature: 1200°F



To Order (Specify Model Number)

					Single-Heat Element Chrome Steel Sheath		Three-Heat Element Chrome Steel Sheath		
Dimensions-Inch (cm)					Model No.	Price	Model No.	Price	Wt. (Lb.) kg
Watts	W/In ²	A	B	C					
300	12	3 ³ / ₃₂ (10)	1 ¹ / ₁₆ (4)	5/16 (8)	A-203/*	\$37	A-20-33/*	\$43	.7 (.3)
400	15	3 ³ / ₃₂ (10)	1 ¹ / ₁₆ (4)	5/16 (8)	A-204/*	37	A-20-34/*	43	.7 (.3)
500	19	3 ³ / ₃₂ (10)	1 ¹ / ₁₆ (4)	5/16 (8)	A-205/*	37	A-20-35/*	43	.7 (.3)
450	14	4 ¹ / ₈ (12)	2 ¹ / ₄ (6)	5/16 (8)	A-304/*	39	A-30-34/*	49	.8 (.4)
500	15	4 ⁵ / ₈ (12)	2 ¹ / ₄ (6)	5/16 (8)	A-305/*	39	A-30-35/*	49	.8 (.4)
550	17	4 ⁵ / ₈ (12)	2 ¹ / ₄ (6)	5/16 (8)	A-306/*	39	A-30-36/*	49	.8 (.4)
500	12	5 ¹ / ₈ (14)	3 (8)	5/16 (8)	A-405/*	46	A-40-35/*	54	.8 (.4)
660	16	5 ¹ / ₈ (14)	3 (8)	5/16 (8)	A-406/*	46	A-40-36/*	54	.8 (.4)
750	18	5 ¹ / ₈ (14)	3 (8)	5/16 (8)	A-407/*	46	A-40-37/*	54	.8 (.4)
400	10	6 ¹ / ₈ (15)	4 ⁵ / ₁₆ (11)	5/16 (8)	A-504/*	48	A-50-34/*	56	.9 (.4)
450	11	6 ¹ / ₈ (15)	4 ⁵ / ₁₆ (11)	5/16 (8)	A-505/*	48	A-50-35/*	56	.9 (.4)
500	13	6 ¹ / ₈ (15)	4 ⁵ / ₁₆ (11)	5/16 (8)	A-506/*	48	A-50-36/*	56	.9 (.4)
660	12	6 ¹ / ₈ (16)	3 (9)	5/16 (8)	A-656/*	48	A-65-36/*	58	1.0 (.5)
750	14	6 ¹ / ₈ (16)	3 (9)	5/16 (8)	A-657/*	48	A-65-37/*	58	1.0 (.5)
1000	19	6 ¹ / ₈ (16)	3 (9)	5/16 (8)	A-651/*	48	A-65-31/*	58	1.0 (.5)
500	11	6 ¹ / ₃₂ (17)	4 ¹ / ₂ (11)	5/16 (8)	A-605/*	53	A-60-35/*	61	1.0 (.5)
660	14	6 ¹ / ₃₂ (17)	4 ¹ / ₂ (11)	5/16 (8)	A-606/*	53	A-60-36/*	61	1.0 (.5)
750	16	6 ¹ / ₃₂ (17)	4 ¹ / ₂ (11)	5/16 (8)	A-607/*	53	A-60-37/*	61	1.0 (.5)
550	9	7 ¹ / ₈ (19)	5 ⁵ / ₁₆ (13)	5/16 (8)	A-705/*	56	A-70-35/*	67	1.1 (.5)
660	11	7 ¹ / ₈ (19)	5 ⁵ / ₁₆ (13)	5/16 (8)	A-706/*	56	A-70-36/*	67	1.1 (.5)
750	13	7 ¹ / ₈ (19)	5 ⁵ / ₁₆ (13)	5/16 (8)	A-707/*	56	A-70-37/*	67	1.1 (.5)
880	14	8 ³ / ₈ (21)	6 ³ / ₁₆ (16)	5/16 (8)	A-808/*	64	A-80-38/*	73	1.3 (.6)
1050	16	8 ³ / ₈ (21)	6 ³ / ₁₆ (16)	5/16 (8)	A-801/*	64	A-80-31/*	73	1.3 (.6)
1250	19	8 ³ / ₈ (21)	6 ³ / ₁₆ (16)	5/16 (8)	A-802/*	64	A-80-32/*	73	1.3 (.6)
1000	10	10 ³ / ₃₂ (28)	8 ¹ / ₂ (22)	5/16 (8)	A-901/*	80	A-90-31/*	91	1.8 (.6)
1500	16	10 ³ / ₃₂ (28)	8 ¹ / ₂ (22)	5/16 (8)	A-902/*	80	A-90-32/*	91	1.8 (.6)
1800	19	10 ³ / ₃₂ (28)	8 ¹ / ₂ (22)	5/16 (8)	A-903/*	80	A-90-33/*	91	1.8 (.6)

/* Designate voltage. Insert 120 for 120 Vac or 240 for 240 Vac. Lower wattages down to 125 watts and smaller outside diameters are also available. Contact OMEGALUX.

Ordering Example: Model A-60-36/120, 3-element ring heater, 120 Vac, 660 W, \$61.

C



UNITED STATES

www.omega.com
1-800-TC-OMEGA
Stamford, CT.

CANADA

www.omega.ca
Laval(Quebec)
1-800-TC-OMEGA

GERMANY

www.omega.de
Deckenpfronn, Germany
0800-8266342

UNITED KINGDOM

www.omega.co.uk
Manchester, England
0800-488-488

FRANCE

www.omega.fr
Guyancourt, France
088-466-342

CZECH REPUBLIC

www.omegaeng.cz
Karviná, Czech Republic
596-311-899

BENELUX

www.omega.nl
Amstelveen, NL
0800-099-33-44



More than 100,000 Products Available!

• Temperature

Calibrators, Connectors, General Test and Measurement Instruments, Glass Bulb Thermometers, Handheld Instruments for Temperature Measurement, Ice Point References, Indicating Labels, Crayons, Cements and Lacquers, Infrared Temperature Measurement Instruments, Recorders Relative Humidity Measurement Instruments, RTD Probes, Elements and Assemblies, Temperature & Process Meters, Timers and Counters, Temperature and Process Controllers and Power Switching Devices, Thermistor Elements, Probes and Assemblies, Thermocouples Thermowells and Head and Well Assemblies, Transmitters, Wire

• Flow and Level

Air Velocity Indicators, Doppler Flowmeters, Level Measurement, Magnetic Flowmeters, Mass Flowmeters, Pitot Tubes, Pumps, Rotameters, Turbine and Paddle Wheel Flowmeters, Ultrasonic Flowmeters, Valves, Variable Area Flowmeters, Vortex Shedding Flowmeters

• pH and Conductivity

Conductivity Instrumentation, Dissolved Oxygen Instrumentation, Environmental Instrumentation, pH Electrodes and Instruments, Water and Soil Analysis Instrumentation

• Data Acquisition

Auto-Dialers and Alarm Monitoring Systems, Communication Products and Converters, Data Acquisition and Analysis Software, Data Loggers Plug-in Cards, Signal Conditioners, USB, RS232, RS485 and Parallel Port Data Acquisition Systems, Wireless Transmitters and Receivers

• Pressure, Strain and Force

Displacement Transducers, Dynamic Measurement Force Sensors, Instrumentation for Pressure and Strain Measurements, Load Cells, Pressure Gauges, Pressure Reference Section, Pressure Switches, Pressure Transducers, Proximity Transducers, Regulators, Strain Gages, Torque Transducers, Valves

• Heaters

Band Heaters, Cartridge Heaters, Circulation Heaters, Comfort Heaters, Controllers, Meters and Switching Devices, Flexible Heaters, General Test and Measurement Instruments, Heater Hook-up Wire, Heating Cable Systems, Immersion Heaters, Process Air and Duct, Heaters, Radiant Heaters, Strip Heaters, Tubular Heaters