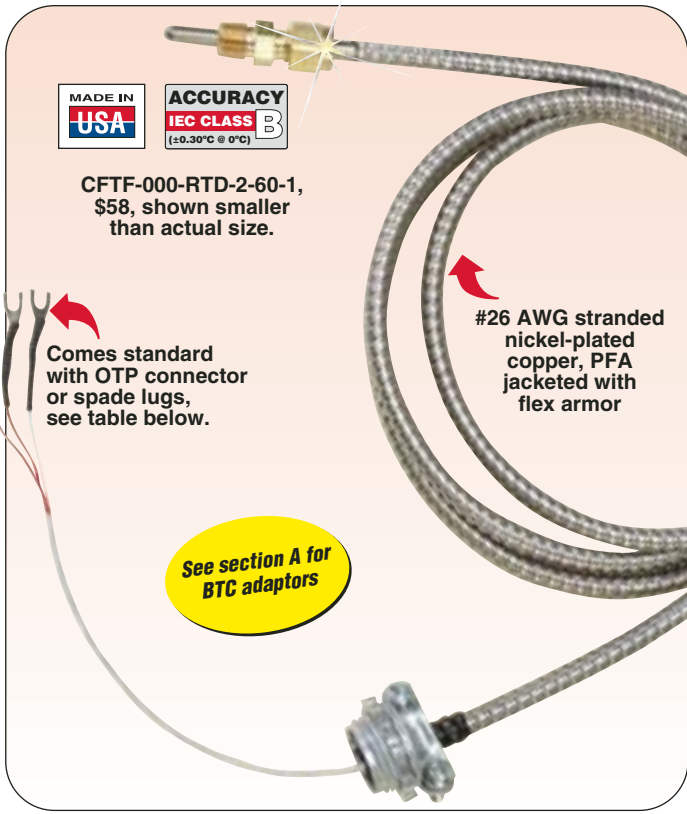
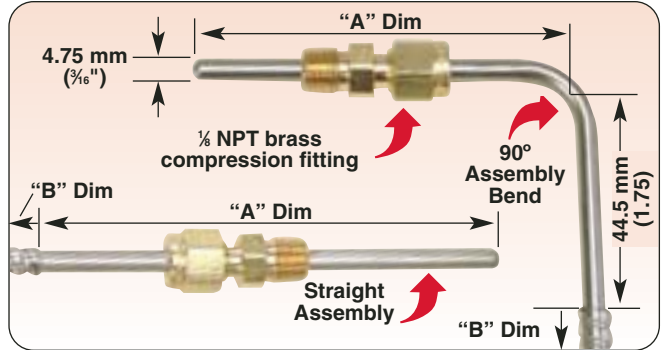


Extruder RTD Probes With Compression Fittings



- ✓ Ideal for Plastic Process Machinery
- ✓ 100 Ω Class “B” Thin-Film DIN Platinum Element
- ✓ 4.75 mm (3/16") Diameter, 304 Stainless Steel Sheath
- ✓ 1/8 NPT Brass Compression Fitting Standard
- ✓ 1.5 m (60") Flex Cable Standard
- ✓ Temperature Range to 260°C (500°F) Continuous [Optional 500°C (932°F) Cable Available]
- ✓ 3-Wire Construction Color Coded Red/Red/White Per IE/ASTM-E-1137

CFTF Series Starts at **\$53**



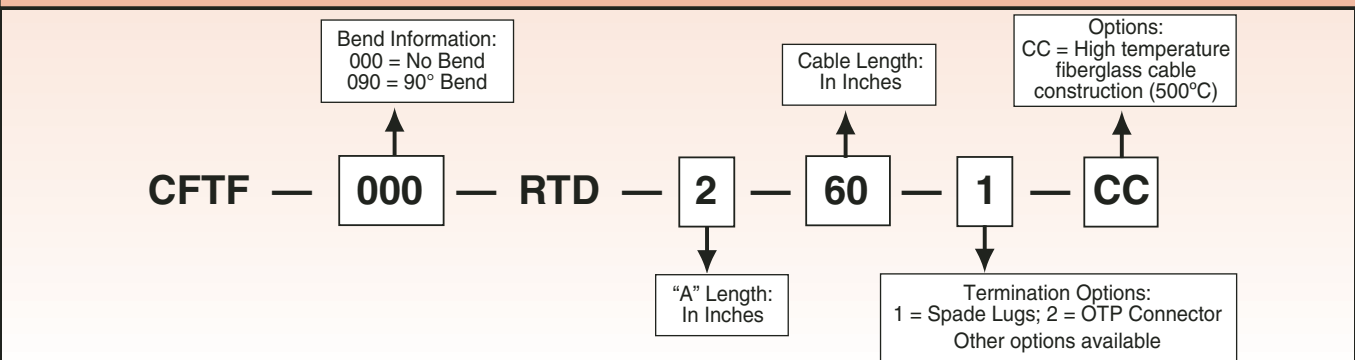
MOST POPULAR MODEL HIGHLIGHTED!

To Order (Specify Model Number)

Model Number	Termination	Bend	"A" Dimension	Price
CFTF-000-RTD-2-60-1	Spade Lugs	Straight	50 mm (2")	\$53
CFTF-000-RTD-2-60-2	OTP Connector	Straight	50 mm (2")	58
CFTF-000-RTD-4-60-1	Spade Lugs	Straight	100 mm (4")	53
CFTF-000-RTD-4-60-2	OTP Connector	Straight	100 mm (4")	58
CFTF-090-RTD-2-60-1	Spade Lugs	90°	50 mm (2")	53
CFTF-090-RTD-2-60-2	OTP Connector	90°	50 mm (2")	58
CFTF-090-RTD-4-60-1	Spade Lugs	90°	100 mm (4")	53
CFTF-090-RTD-4-60-2	OTP Connector	90°	100 mm (4")	58

Ordering Example: CFTF-000-RTD-2-60-1, straight compression style, "Z" dimension, 60" cable, lug terminations, \$53.
 Adaptors for insertion and pipe clamp use also available, see page 36 for complete information.
 * For other lengths of armoured cable, change "60" in model number to length desired and add \$3.50 per foot over 5' (60"). For high temperature construction (500°C), add "-CC" to the end of model number and add \$10 to price.
 ** Other A lengths available, price \$5 + \$1 per inch over 6".

How are OMEGA's Model Numbers Constructed?



Ordering Example: CFTF-000-RTD-2-60-1, spade lugs, \$58.



UNITED STATES

www.omega.com
1-800-TC-OMEGA
Stamford, CT.

CANADA

www.omega.ca
Laval(Quebec)
1-800-TC-OMEGA

GERMANY

www.omega.de
Deckenpfronn, Germany
0800-8266342

UNITED KINGDOM

www.omega.co.uk
Manchester, England
0800-488-488

FRANCE

www.omega.fr
Guyancourt, France
088-466-342

CZECH REPUBLIC

www.omegaeng.cz
Karviná, Czech Republic
596-311-899

BENELUX

www.omega.nl
Amstelveen, NL
0800-099-33-44



More than 100,000 Products Available!

• Temperature

Calibrators, Connectors, General Test and Measurement Instruments, Glass Bulb Thermometers, Handheld Instruments for Temperature Measurement, Ice Point References, Indicating Labels, Crayons, Cements and Lacquers, Infrared Temperature Measurement Instruments, Recorders Relative Humidity Measurement Instruments, RTD Probes, Elements and Assemblies, Temperature & Process Meters, Timers and Counters, Temperature and Process Controllers and Power Switching Devices, Thermistor Elements, Probes and Assemblies, Thermocouples Thermowells and Head and Well Assemblies, Transmitters, Wire

• Flow and Level

Air Velocity Indicators, Doppler Flowmeters, Level Measurement, Magnetic Flowmeters, Mass Flowmeters, Pitot Tubes, Pumps, Rotameters, Turbine and Paddle Wheel Flowmeters, Ultrasonic Flowmeters, Valves, Variable Area Flowmeters, Vortex Shedding Flowmeters

• pH and Conductivity

Conductivity Instrumentation, Dissolved Oxygen Instrumentation, Environmental Instrumentation, pH Electrodes and Instruments, Water and Soil Analysis Instrumentation

• Data Acquisition

Auto-Dialers and Alarm Monitoring Systems, Communication Products and Converters, Data Acquisition and Analysis Software, Data Loggers Plug-in Cards, Signal Conditioners, USB, RS232, RS485 and Parallel Port Data Acquisition Systems, Wireless Transmitters and Receivers

• Pressure, Strain and Force

Displacement Transducers, Dynamic Measurement Force Sensors, Instrumentation for Pressure and Strain Measurements, Load Cells, Pressure Gauges, Pressure Reference Section, Pressure Switches, Pressure Transducers, Proximity Transducers, Regulators, Strain Gages, Torque Transducers, Valves

• Heaters

Band Heaters, Cartridge Heaters, Circulation Heaters, Comfort Heaters, Controllers, Meters and Switching Devices, Flexible Heaters, General Test and Measurement Instruments, Heater Hook-up Wire, Heating Cable Systems, Immersion Heaters, Process Air and Duct, Heaters, Radiant Heaters, Strip Heaters, Tubular Heaters