



# Limit Controller with Audible Buzzer

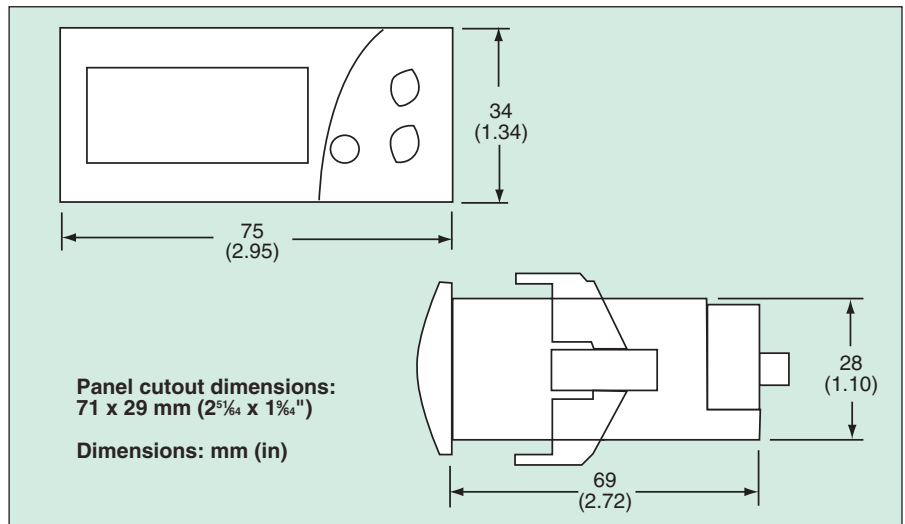
CN700 Series  
**\$97**  
 All Models



CN701, \$97, shown actual size.

- ✓ Bright Red 3-Digit LED Display
- ✓ J, K or S Thermocouple Inputs
- ✓ High or Low Limit
- ✓ 15 A Relay Output
- ✓ Front Key Reset Button or Remote Reset
- ✓ Internal Audible Buzzer

The CN700 Series thermocouple FM approved high limit controllers provide audible alarm status along with a robust 15 amp relay output. Unit allows the user to easily select automatic or manual reset along with 10 other parameters. The CN700 series has a built in reset button on the front panel or can accept an external reset. The ease of programming and low price make the CN700 series the best value limit control on the market.



## Specifications

### Temperature Range:

T/C Type J: 0 to 700°C (32 to 999°F)

T/C Type K or S: 0 to 999°C

(32 to 999°F)

**Input:** Type J, K or S thermocouple

**Output:** 15 A SPDT relay @

250 Vac resistive

**Horsepower Rating (HP):** ¼ HP

**Control Type:** ON/OFF manual/automatic reset

**Power Requirements:** 110 Vac,

230 Vac, 12 or 24 Vac/Vdc

(depending on model)

**Power Consumption:** 4 VA

**Accuracy:** ±1% FS

**Display:** 3-digit, red, 12.7 mm (½")

digits, plus sign

**Display Update Rate:** 16 seconds

**Resolution:** 1°

**Memory Backup:** Nonvolatile memory

**Ambient Operating Temperature:**

-10 to 55°C (14 to 131°F)

**Storage Temperature:** -20 to 80°C

(-4 to 176°F)

**Weight:** 65 g (2.3 oz)

**Panel Cutout:** 71 x 29 mm

(2<sup>5</sup>/<sub>16</sub> x 1<sup>1</sup>/<sub>4</sub>"")

**Front Panel Rating:** IP64

**MOST POPULAR MODELS HIGHLIGHTED!**

## To Order (Specify Model Number)

Model No.	Price	Description
CN701	\$97	Limit controller, 110 Vac, °F
CN702	97	Limit controller, 110 Vac, °C
CN703	97	Limit controller, 230 Vac, °F
CN704	97	Limit controller, 230 Vac, °C
CN705	97	Limit controller, 12 Vac/Vdc, °F
CN706	97	Limit controller, 12 Vac/Vdc, °C
CN707	97	Limit controller, 24 Vac/Vdc, °F
CN708	97	Limit controller, 24 Vac/Vdc, °C

Comes complete with operator's manual.

**Ordering Examples:** CN701, limit controller, 110V, °F with audible buzzer, \$97.

CN705, limit controller, 12 Vac/Vdc, °F with audible buzzer, \$97.

## Accessory (Field Installable)

Model No.	Price	Description
CNQUENCHARC	\$8	Noise suppression RC snubber (2 leads), 110 to 230 Vac

Recommended Reference Book: Controller Tuning, PID, GE-2117, \$25.

See Section Y for Additional Books.





#### UNITED STATES

[www.omega.com](http://www.omega.com)  
1-800-TC-OMEGA  
Stamford, CT.

#### CANADA

[www.omega.ca](http://www.omega.ca)  
Laval(Quebec)  
1-800-TC-OMEGA

#### GERMANY

[www.omega.de](http://www.omega.de)  
Deckenpfronn, Germany  
0800-8266342

#### UNITED KINGDOM

[www.omega.co.uk](http://www.omega.co.uk)  
Manchester, England  
0800-488-488

#### FRANCE

[www.omega.fr](http://www.omega.fr)  
Guyancourt, France  
088-466-342

#### CZECH REPUBLIC

[www.omegaeng.cz](http://www.omegaeng.cz)  
Karviná, Czech Republic  
596-311-899

#### BENELUX

[www.omega.nl](http://www.omega.nl)  
Amstelveen, NL  
0800-099-33-44



## More than 100,000 Products Available!

### • Temperature

Calibrators, Connectors, General Test and Measurement Instruments, Glass Bulb Thermometers, Handheld Instruments for Temperature Measurement, Ice Point References, Indicating Labels, Crayons, Cements and Lacquers, Infrared Temperature Measurement Instruments, Recorders Relative Humidity Measurement Instruments, RTD Probes, Elements and Assemblies, Temperature & Process Meters, Timers and Counters, Temperature and Process Controllers and Power Switching Devices, Thermistor Elements, Probes and Assemblies, Thermocouples Thermowells and Head and Well Assemblies, Transmitters, Wire

### • Flow and Level

Air Velocity Indicators, Doppler Flowmeters, Level Measurement, Magnetic Flowmeters, Mass Flowmeters, Pitot Tubes, Pumps, Rotameters, Turbine and Paddle Wheel Flowmeters, Ultrasonic Flowmeters, Valves, Variable Area Flowmeters, Vortex Shedding Flowmeters

### • pH and Conductivity

Conductivity Instrumentation, Dissolved Oxygen Instrumentation, Environmental Instrumentation, pH Electrodes and Instruments, Water and Soil Analysis Instrumentation

### • Data Acquisition

Auto-Dialers and Alarm Monitoring Systems, Communication Products and Converters, Data Acquisition and Analysis Software, Data Loggers Plug-in Cards, Signal Conditioners, USB, RS232, RS485 and Parallel Port Data Acquisition Systems, Wireless Transmitters and Receivers

### • Pressure, Strain and Force

Displacement Transducers, Dynamic Measurement Force Sensors, Instrumentation for Pressure and Strain Measurements, Load Cells, Pressure Gauges, Pressure Reference Section, Pressure Switches, Pressure Transducers, Proximity Transducers, Regulators, Strain Gages, Torque Transducers, Valves

### • Heaters

Band Heaters, Cartridge Heaters, Circulation Heaters, Comfort Heaters, Controllers, Meters and Switching Devices, Flexible Heaters, General Test and Measurement Instruments, Heater Hook-up Wire, Heating Cable Systems, Immersion Heaters, Process Air and Duct, Heaters, Radiant Heaters, Strip Heaters, Tubular Heaters