

1/8 DIN Dual Display Temperature, Process and Strain PID Controllers

CNi8D Series
 Starts at
\$340

CNi8DV33, \$400,
 shown smaller
 than actual size.

CNi8DH33, \$340, shown
 smaller than actual size.



- ✓ **First 1/8 DIN Controller with Embedded Ethernet Connectivity (Optional)**
- ✓ **Dual Display with Bright Color-Changing Feature**
- ✓ **Programmable Digital Filter**
- ✓ **2 Control or Alarm Outputs (Choice of DC Pulse, Solid State Relays, Mechanical Relays, Analog Voltage and Current)**
- ✓ **Full Autotune PID Control**
- ✓ **Built-In Excitation Standard**
- ✓ **Front Removable**



The OMEGA® CNi8DH and CNi8DV are high-quality, highly accurate single loop autotune PID temperature and process controllers for 1/8 DIN (96 x 48 mm) horizontal or vertical panel cutouts. Both devices feature the same state-of-the-art technology, uncompromising accuracy, and quality backed by an extended 5-year warranty.

The CNi8DH and CNi8DV are simple to configure and use, while providing tremendous versatility and a wealth of powerful features.

The CNi8DH and CNi8DV come standard with your choice of 2 control or alarm outputs in almost any combination: solid state relays rated at 0.5 A @ 120/240 Vac; Form "C" SPDT relays rated at 3 A @ 120/240 Vac; pulsed 10 Vdc output for use with an external SSR; or analog output (0 to 10 Vdc or 0 to 20 mA) selectable for control or retransmission of the process value.

The universal temperature and process instrument (model "i") offers a selection of 10 thermocouple types as well as 2-, 3- or 4-wire RTD's, process voltage and current. The CNi8DH and CNi8DV are ideal controllers for use with transmitters and amplified transducers. Built-in excitation is standard (24 Vdc @ 25 mA). The device handles 0 to 20 mA process current and process voltage in 3 scales: 0 to 100 mV, 0 to 1 V, and 0 to 10 V.

As with all iSeries devices, the process value display can be programmed to change color between **GREEN**, **AMBER**, and **RED** at any setpoint or alarm point. The LED's displaying the process value on the CNi8DH (horizontal 1/8 DIN) are the largest digits of any 1/8 DIN controller.

The strain/process instrument (model "iS") meters and controllers measure inputs from load cells, pressure transducers, and most any strain gage sensor. Input ranges include 0 to 100 mVdc; -100 mVdc to 1 Vdc; 0 to 10 Vdc in addition to 0 to 20 mA. Excitation for transducers of 5 V and 10 V is standard.

The highly recommended networking and communications options include direct Ethernet LAN connectivity with an embedded Web server, and serial communications. The C24 serial communications option includes both RS232 and RS485 which can be selected from the menu as well as both a

straightforward ASCII protocol or MODBUS. The C4EI option includes both Ethernet and RS485 ASCII/MODBUS on 1 device.

The iSeries, with the network options, are designed for easy integration with popular industrial automation and control programs as well as Microsoft Visual Basic and Excel. OMEGA® provides free configuration software which makes it fast and easy to get up and running with many applications. Available on CD-ROM and for download off the Internet.

iSeries
change color
 at any
 setpoint



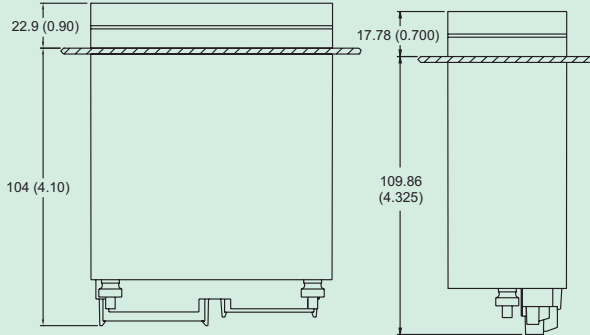
Totally
 Programmable
 Color
 Displays
PATENTED





The i/8 Series controllers feature plug/removable connectors and a sturdy panel mounting sleeve with adjustable thumb nuts for easy secure installation.

Dimensions: mm (in)



Options

Ordering Suffix	Add'l Price	Description
-AL	N/C	Limit alarm version (simplified menu, alarms only, no PID control) ²
-SM	N/C	Simplified menu (on/off control or alarms, no PID) ³
Network Options		
-EI	\$55	Ethernet with embedded Web server
-C24	60	Isolated RS232 and RS485/422, 300 to 19.2 Kb* ¹
-C4EI	115	Ethernet with embedded Web server + isolated RS485/422 hub for up to 31 devices* ¹
Power Supply		
	N/C	Standard power input: 90 to 240 Vac/dc, 50 to 400 Hz (no entry required)
-DC	\$25	20 to 36 Vac/dc, 24 Vac* ¹
Factory Setup (Requires Network Option)		
-FS	N/C	Factory setup and configuration (requires "-C24" serial communication option)
Software (Requires Network Option)		
OPC-SERVER LICENSE	\$295	OPC server/driver software license

¹ "-DC", "-C24", and "-C4EI" not available with excitation.

² Analog output is not available with "-AL" units.

³ "-SM" option not available on CNIS strain models.

MOST POPULAR MODELS HIGHLIGHTED!

To Order (Specify Model Number)

Model No.	Price	Output 1	Output 2
Dual Display Horizontal with 2 Control Outputs			
CNi8DH33	\$340	Relay	Relay
CNi8DH34	340	Relay	DC pulse
CNi8DH44	340	DC pulse	DC pulse
CNi8DH43	340	DC pulse	Relay
CNi8DH42	340	DC pulse	0.5 A SSR
CNi8DH22	340	0.5 A SSR	0.5 A SSR
CNi8DH23	340	0.5 A SSR	Relay
CNi8DH24	340	0.5 A SSR	DC pulse
CNi8DH53	340	Analog	Relay
CNi8DH54	340	Analog	DC pulse
CNi8DH52	340	Analog	0.5 A SSR
Dual Display Vertical with 2 Control Outputs			
CNi8DV33	\$340	Relay	Relay
CNi8DV34	340	Relay	DC pulse
CNi8DV44	340	DC pulse	DC pulse
CNi8DV43	340	DC pulse	Relay
CNi8DV42	340	DC pulse	0.5 A SSR
CNi8DV22	340	0.5 A SSR	0.5 A SSR
CNi8DV23	340	0.5 A SSR	Relay
CNi8DV24	340	0.5 A SSR	DC pulse
CNi8DV53	340	Analog	Relay
CNi8DV54	340	Analog	DC pulse
CNi8DV52	340	Analog	0.5 A SSR
Strain/Process Input, Dual Display Horizontal with 2 Control Outputs			
CNiS8DH33	\$400	Relay	Relay
CNiS8DH44	400	DC pulse	DC pulse
CNiS8DH43	400	DC pulse	Relay
CNiS8DH42	400	DC pulse	0.5 A SSR
CNiS8DH22	400	0.5 A SSR	0.5 A SSR
CNiS8DH23	400	0.5 A SSR	Relay
CNiS8DH24	400	0.5 A SSR	DC pulse
CNiS8DH53	400	Analog	Relay
CNiS8DH54	400	Analog	DC pulse
CNiS8DH52	400	Analog	0.5 A SSR
Strain/Process Input, Dual Display Vertical with 2 Control Outputs			
CNiS8DV33	\$400	Relay	Relay
CNiS8DV44	400	DC pulse	DC pulse
CNiS8DV43	400	DC pulse	Relay
CNiS8DV42	400	DC pulse	0.5 A SSR
CNiS8DV22	400	0.5 A SSR	0.5 A SSR
CNiS8DV23	400	0.5 A SSR	Relay
CNiS8DV24	400	0.5 A SSR	DC pulse
CNiS8DV53	400	Analog	Relay
CNiS8DV54	400	Analog	DC pulse
CNiS8DV52	400	Analog	0.5 A SSR

Comes with complete operator's manual.

Ordering Examples: CNi8DH43, horizontal 1/2 DIN dual display with pulse control and relay, \$340. CNi8DV53, 1/2 DIN dual display vertical controller with analog output and relay, \$340. CNiS8DH22, 1/2 DIN dual display horizontal controller with 2 SSR outputs, \$400.



UNITED STATES

www.omega.com
1-800-TC-OMEGA
Stamford, CT.

CANADA

www.omega.ca
Laval(Quebec)
1-800-TC-OMEGA

GERMANY

www.omega.de
Deckenpfronn, Germany
0800-8266342

UNITED KINGDOM

www.omega.co.uk
Manchester, England
0800-488-488

FRANCE

www.omega.fr
Guyancourt, France
088-466-342

CZECH REPUBLIC

www.omegaeng.cz
Karviná, Czech Republic
596-311-899

BENELUX

www.omega.nl
Amstelveen, NL
0800-099-33-44



More than 100,000 Products Available!

• Temperature

Calibrators, Connectors, General Test and Measurement Instruments, Glass Bulb Thermometers, Handheld Instruments for Temperature Measurement, Ice Point References, Indicating Labels, Crayons, Cements and Lacquers, Infrared Temperature Measurement Instruments, Recorders Relative Humidity Measurement Instruments, RTD Probes, Elements and Assemblies, Temperature & Process Meters, Timers and Counters, Temperature and Process Controllers and Power Switching Devices, Thermistor Elements, Probes and Assemblies, Thermocouples Thermowells and Head and Well Assemblies, Transmitters, Wire

• Flow and Level

Air Velocity Indicators, Doppler Flowmeters, Level Measurement, Magnetic Flowmeters, Mass Flowmeters, Pitot Tubes, Pumps, Rotameters, Turbine and Paddle Wheel Flowmeters, Ultrasonic Flowmeters, Valves, Variable Area Flowmeters, Vortex Shedding Flowmeters

• pH and Conductivity

Conductivity Instrumentation, Dissolved Oxygen Instrumentation, Environmental Instrumentation, pH Electrodes and Instruments, Water and Soil Analysis Instrumentation

• Data Acquisition

Auto-Dialers and Alarm Monitoring Systems, Communication Products and Converters, Data Acquisition and Analysis Software, Data Loggers Plug-in Cards, Signal Conditioners, USB, RS232, RS485 and Parallel Port Data Acquisition Systems, Wireless Transmitters and Receivers

• Pressure, Strain and Force

Displacement Transducers, Dynamic Measurement Force Sensors, Instrumentation for Pressure and Strain Measurements, Load Cells, Pressure Gauges, Pressure Reference Section, Pressure Switches, Pressure Transducers, Proximity Transducers, Regulators, Strain Gages, Torque Transducers, Valves

• Heaters

Band Heaters, Cartridge Heaters, Circulation Heaters, Comfort Heaters, Controllers, Meters and Switching Devices, Flexible Heaters, General Test and Measurement Instruments, Heater Hook-up Wire, Heating Cable Systems, Immersion Heaters, Process Air and Duct, Heaters, Radiant Heaters, Strip Heaters, Tubular Heaters