

HAZARDOUS AREA HEATER

50 W, 100 W

CREX020 Series
Starts at
\$189



- Large Convection Surface
- DIN Rail Mountable
- Ready for Use
- Maintenance Free

Compact convection heater for use in areas with explosion hazard for prevention of formation of condensation, temperature fluctuations and for protection against frost in transmitter housings, switch cabinets and measuring equipment.

SPECIFICATIONS

Explosion Protection According to EN: LCIE (Laboratoire Central des Industries Electriques)

Conformity Certificate: 01 ATEX 6073/03, LCIE N° 06 ATEX Q8011, IECEx LCI 07.0021

Heating Element: High performance cartridge

Heater Body: Aluminium profile, black anodised

Connection: Si HF-JZ 3 x 0.75 mm² (0.03 in²) cable, length 1 m (3.3')

Connection PE: 4 mm² (0.16 in²)

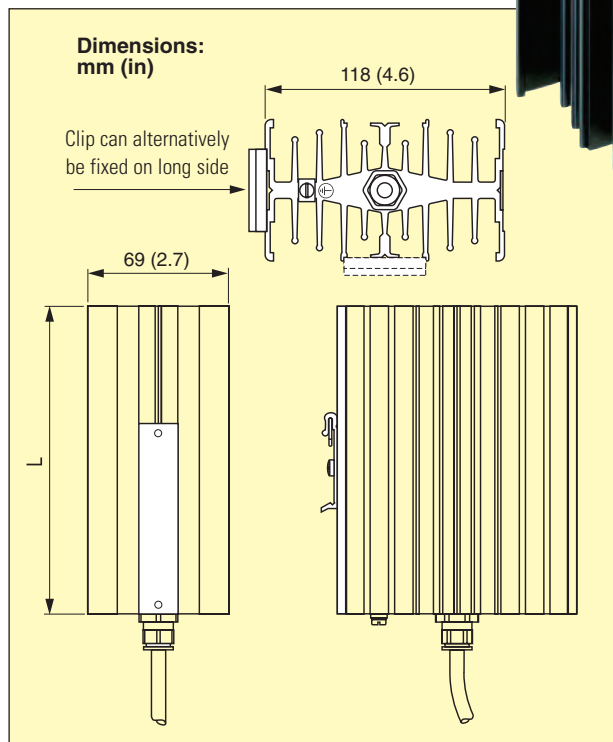
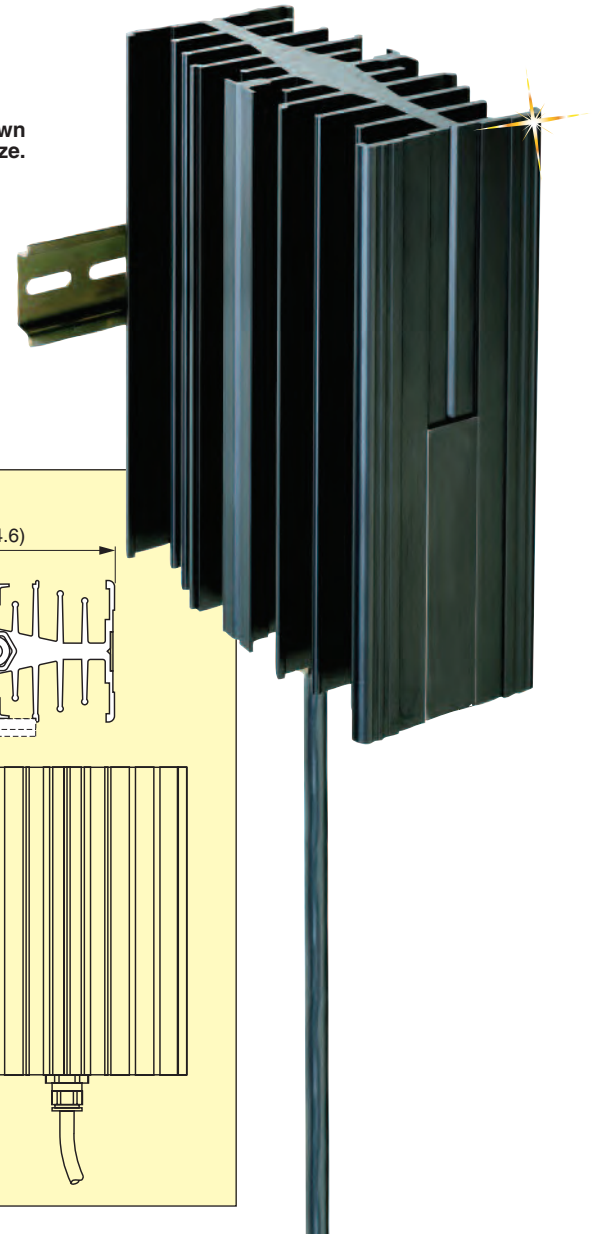
Mounting Clip: 35 mm (1.4") DIN rail, EN 50022

Fitting Position: Vertical

Operating/Storage Temperature: -45 to 70°C (-49 to 158°F)

Protection Type/Protection Class: NEMA 4 (IP65)/I (grounded)

CREX0201, \$189, shown smaller than actual size.



MODEL NO.	CREX0201	CREX02011
Operating Voltage	110 to 120 Vac	110 to 120 Vac
Heating Capacity	50 W	100 W
Ex Protection Type	d IIC T5 - Ex tD A21 IP6X T100°C	d IIC T4 - Ex tD A21 IP6X T135°C
Surface Temperature	100°C (212°F)	135°C (275°F)
Length (L)	150 mm (6")	180 mm (7.1")
Weight (Approx.)	1.30 kg (46 oz)	1.50 kg (53 oz)



To Order (Specify Model Number)

AVAILABLE FOR FAST DELIVERY!

MODEL NO.	PRICE	DESCRIPTION
CREX0201	\$189	Enclosure heater, explosion-proof, 50 W, 120 Vac
CREX02011	221	Enclosure heater, explosion-proof, 100 W, 120 Vac

Comes complete with operator's manual.

Ordering Examples: CREX0201, hazardous area heater, \$189. CREX02011, hazardous area heater, \$221.



UNITED STATES

www.omega.com
1-800-TC-OMEGA
Stamford, CT.

CANADA

www.omega.ca
Laval(Quebec)
1-800-TC-OMEGA

GERMANY

www.omega.de
Deckenpfronn, Germany
0800-8266342

UNITED KINGDOM

www.omega.co.uk
Manchester, England
0800-488-488

FRANCE

www.omega.fr
Guyancourt, France
088-466-342

CZECH REPUBLIC

www.omegaeng.cz
Karviná, Czech Republic
596-311-899

BENELUX

www.omega.nl
Amstelveen, NL
0800-099-33-44



More than 100,000 Products Available!

• Temperature

Calibrators, Connectors, General Test and Measurement Instruments, Glass Bulb Thermometers, Handheld Instruments for Temperature Measurement, Ice Point References, Indicating Labels, Crayons, Cements and Lacquers, Infrared Temperature Measurement Instruments, Recorders Relative Humidity Measurement Instruments, RTD Probes, Elements and Assemblies, Temperature & Process Meters, Timers and Counters, Temperature and Process Controllers and Power Switching Devices, Thermistor Elements, Probes and Assemblies, Thermocouples Thermowells and Head and Well Assemblies, Transmitters, Wire

• Flow and Level

Air Velocity Indicators, Doppler Flowmeters, Level Measurement, Magnetic Flowmeters, Mass Flowmeters, Pitot Tubes, Pumps, Rotameters, Turbine and Paddle Wheel Flowmeters, Ultrasonic Flowmeters, Valves, Variable Area Flowmeters, Vortex Shedding Flowmeters

• pH and Conductivity

Conductivity Instrumentation, Dissolved Oxygen Instrumentation, Environmental Instrumentation, pH Electrodes and Instruments, Water and Soil Analysis Instrumentation

• Data Acquisition

Auto-Dialers and Alarm Monitoring Systems, Communication Products and Converters, Data Acquisition and Analysis Software, Data Loggers Plug-in Cards, Signal Conditioners, USB, RS232, RS485 and Parallel Port Data Acquisition Systems, Wireless Transmitters and Receivers

• Pressure, Strain and Force

Displacement Transducers, Dynamic Measurement Force Sensors, Instrumentation for Pressure and Strain Measurements, Load Cells, Pressure Gauges, Pressure Reference Section, Pressure Switches, Pressure Transducers, Proximity Transducers, Regulators, Strain Gages, Torque Transducers, Valves

• Heaters

Band Heaters, Cartridge Heaters, Circulation Heaters, Comfort Heaters, Controllers, Meters and Switching Devices, Flexible Heaters, General Test and Measurement Instruments, Heater Hook-up Wire, Heating Cable Systems, Immersion Heaters, Process Air and Duct, Heaters, Radiant Heaters, Strip Heaters, Tubular Heaters