

High-Accuracy Digital Thermometer

DP97
\$2358



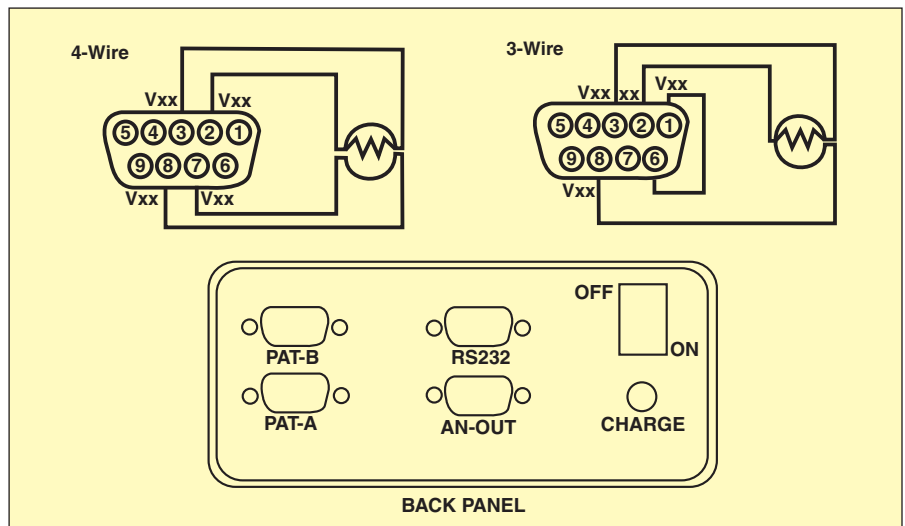
- ✓ Single or Dual Pt100 Inputs, A, B and A-B
- ✓ High Resolution 0.01°C
- ✓ Very High Accuracy and Stability
- ✓ Better Than 40 mK (0.04°C) System Accuracy (Based on DP97-Probe Calibration)
- ✓ PC Software Included
- ✓ Digital Matching of Calibrated Sensors
- ✓ Circuitry Self-Calibrates for Total Stability
- ✓ 3- or 4-Wire Sensors with Automatic Recognition
- ✓ Readout Directly in °C, °F, Kelvin, and Ω
- ✓ RS232 (Remote Control and Measure) as Standard
- ✓ Programmable Analog Output
- ✓ Bench Mounting (Or Panel Option)
- ✓ Rechargeable Battery/AC Adaptor



Exceptional Performance and Versatility!

For Complete Details Visit omega.com/dp97

DP97, \$2358.



OMEGACARESM extended warranty program is available for models shown on this page. Ask your sales representative for full details when placing an order. OMEGACARESM covers parts, labor and equivalent loaners.

AVAILABLE FOR FAST DELIVERY!

To Order (Specify Model Number)		
Model No.	Price	Description
DP97	\$2358	High-accuracy digital thermometer

Accessories

Model No.	Price	Description
DP97-PROBE1	\$135	Precision Pt100 probe, temperature range -50 to 250°C (-58 to 482°F)
DP97-PROBE2	154	Precision Pt100 probe, temperature range -50 to 450°C (-58 to 842°F)
DP97-SW	17	Replacement software
DP97-CONN	3	Replacement 9-pin connector
PSU-DP97	280	Replacement power supply

Comes complete with software, power adaptor, 9-pin connector and operator's manual.

Ordering Example: DP97, high-accuracy digital thermometer, DP97-PROBE1, \$2358 + 135 = \$2493. OCW-3, OMEGACARESM extends standard 1-year warranty to a total of 4 years (\$350), \$2493 + 350 = \$2843.



UNITED STATES

www.omega.com
1-800-TC-OMEGA
Stamford, CT.

CANADA

www.omega.ca
Laval(Quebec)
1-800-TC-OMEGA

GERMANY

www.omega.de
Deckenpfronn, Germany
0800-8266342

UNITED KINGDOM

www.omega.co.uk
Manchester, England
0800-488-488

FRANCE

www.omega.fr
Guyancourt, France
088-466-342

CZECH REPUBLIC

www.omegaeng.cz
Karviná, Czech Republic
596-311-899

BENELUX

www.omega.nl
Amstelveen, NL
0800-099-33-44



More than 100,000 Products Available!

• Temperature

Calibrators, Connectors, General Test and Measurement Instruments, Glass Bulb Thermometers, Handheld Instruments for Temperature Measurement, Ice Point References, Indicating Labels, Crayons, Cements and Lacquers, Infrared Temperature Measurement Instruments, Recorders Relative Humidity Measurement Instruments, RTD Probes, Elements and Assemblies, Temperature & Process Meters, Timers and Counters, Temperature and Process Controllers and Power Switching Devices, Thermistor Elements, Probes and Assemblies, Thermocouples Thermowells and Head and Well Assemblies, Transmitters, Wire

• Flow and Level

Air Velocity Indicators, Doppler Flowmeters, Level Measurement, Magnetic Flowmeters, Mass Flowmeters, Pitot Tubes, Pumps, Rotameters, Turbine and Paddle Wheel Flowmeters, Ultrasonic Flowmeters, Valves, Variable Area Flowmeters, Vortex Shedding Flowmeters

• pH and Conductivity

Conductivity Instrumentation, Dissolved Oxygen Instrumentation, Environmental Instrumentation, pH Electrodes and Instruments, Water and Soil Analysis Instrumentation

• Data Acquisition

Auto-Dialers and Alarm Monitoring Systems, Communication Products and Converters, Data Acquisition and Analysis Software, Data Loggers Plug-in Cards, Signal Conditioners, USB, RS232, RS485 and Parallel Port Data Acquisition Systems, Wireless Transmitters and Receivers

• Pressure, Strain and Force

Displacement Transducers, Dynamic Measurement Force Sensors, Instrumentation for Pressure and Strain Measurements, Load Cells, Pressure Gauges, Pressure Reference Section, Pressure Switches, Pressure Transducers, Proximity Transducers, Regulators, Strain Gages, Torque Transducers, Valves

• Heaters

Band Heaters, Cartridge Heaters, Circulation Heaters, Comfort Heaters, Controllers, Meters and Switching Devices, Flexible Heaters, General Test and Measurement Instruments, Heater Hook-up Wire, Heating Cable Systems, Immersion Heaters, Process Air and Duct, Heaters, Radiant Heaters, Strip Heaters, Tubular Heaters