

Low Noise Thermocouple Probes with High Temperature **Miniature** Connectors

Ω MONOGRAM



Ground strap

Standard write-on connector window

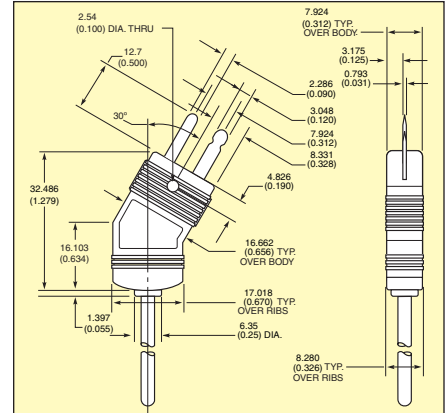
Probes shown close to actual size.

ANSI color code shown To order IEC color code see page A-9

- ✓ Connector Body Temperature Ratings: 260°C (500°F) Continuous and 315°C (600°F) Intermittent
- ✓ Environmentally Friendly Cadmium-Free Liquid Crystal Polymer Material
- ✓ Mating Connector, Cable Clamp, Write-On Windows and Ground Strap Included!
- ✓ Ground Strap Connection Provides Protection Against Electrical Noise
- ✓ Ground Strap Provides Additional Mechanical Rigidity
- ✓ Write-on Area for Easy Identification on Female Connector

- ✓ Compatible with Standard Style Probes and Connectors
- ✓ Cal 5 Available

The OMEGA® low noise thermocouple probes and connectors maintain an electrical connection from the sheath of the probe, through the connectors, all the way to your instrumentation. This system assures high accuracy measurements, providing protection against electrical noise. The external strap maintains the electrical connection of the ground wire, and also strengthens the mechanical connection between the two connectors. The female connector features a handy write-on area, for easy identification.



Extra Replacement Write-On Windows—Sold in Pkg. of 5

Model No.	Description	Price/pkg
WCP-S	Female connector face	\$1
WCP-GMQ	Miniature size probe side	1
WCP-GMP	GMP connector side	1

150 mm (6") and 300 mm (12") Lengths[†]

MOST POPULAR MODELS HIGHLIGHTED!

To Order (Specify Model Number)								
Thermocouple Alloy	Sheath Dia. mm (in.)	Model No. 150 mm (6") Length	Price		Model No. 300 mm (12") Length	Price		Price/Add'l 150 mm (6")
			G*/E	U*		G*/E*	U*	
IRON-CONSTANTAN J 304 SS Sheath	1.0 (0.040")	HGJMQSS-040(*)-6	\$34	\$36	HGJMQSS-040(*)-12	\$34.65	\$36.65	\$0.65
	1.5 (0.062")	HGJMQSS-062(*)-6	30	32	HGJMQSS-062(*)-12	30.80	32.80	0.80
	3.0 (0.125")	HGJMQSS-125(*)-6	30	32	HGJMQSS-125(*)-12	30.95	32.95	0.95
CHROMEQA®-ALOMEGA® K 304 SS Sheath	1.0 (0.040")	HGKMQSS-040(*)-6	34	36	HGKMQSS-040(*)-12	34.65	36.65	0.65
	1.5 (0.062")	HGKMQSS-062(*)-6	30	32	HGKMQSS-062(*)-12	30.80	32.80	0.80
	3.0 (0.125")	HGKMQSS-125(*)-6	30	32	HGKMQSS-125(*)-12	30.95	32.95	0.95
CHROMEQA®-CONSTANTAN E 304 SS Sheath	1.0 (0.040")	HGEMQSS-040(*)-6	34	33	HGEMQSS-040(*)-12	34.65	36.65	0.65
	1.5 (0.062")	HGEMQSS-062(*)-6	30	32	HGEMQSS-062(*)-12	30.80	32.80	0.80
	3.0 (0.125")	HGEMQSS-125(*)-6	30	32	HGEMQSS-125(*)-12	30.95	32.95	0.95
COPPER-CONSTANTAN T 304 SS Sheath	1.0 (0.040")	HGTMQSS-040(*)-6	34	33	HGTMQSS-040(*)-12	34.65	36.65	0.65
	1.5 (0.062")	HGTMQSS-062(*)-6	30	32	HGTMQSS-062(*)-12	30.80	32.80	0.80
	3.0 (0.125")	HGTMQSS-125(*)-6	30	32	HGTMQSS-125(*)-12	30.95	32.95	0.95

* Specify junction type: **E** (Exposed), **G** (Grounded), or **U** (Ungrounded). Extra ground straps, **GS-GMQ-10**, \$2.75/pkg of 10.

[†] Other Lengths available, consult Sales Department

To Order Inconel Sheath, change "SS" in part no. to "IN", no additional charge. Example: HGKMQIN-040(*)-6

To Order with 321 SS Sheath, change "SS" in model number to '321SS'. No additional charge. Example: HGKMQ321SS-040(*)-6

Ordering Example: HGKMQSS-125G-6, Subminiature quick disconnect probe Type K, stainless steel sheath, 3 mm (0.125") O.D., 150 mm (6") long, grounded junction \$30.

Ordering Example: HGKMQSS-062G-6, Subminiature quick disconnect probe Type K, stainless steel sheath, 1.5 mm (0.062") O.D., 150 mm (6") long, grounded junction \$30.



UNITED STATES

www.omega.com
1-800-TC-OMEGA
Stamford, CT.

CANADA

www.omega.ca
Laval(Quebec)
1-800-TC-OMEGA

GERMANY

www.omega.de
Deckenpfronn, Germany
0800-8266342

UNITED KINGDOM

www.omega.co.uk
Manchester, England
0800-488-488

FRANCE

www.omega.fr
Guyancourt, France
088-466-342

CZECH REPUBLIC

www.omegaeng.cz
Karviná, Czech Republic
596-311-899

BENELUX

www.omega.nl
Amstelveen, NL
0800-099-33-44



More than 100,000 Products Available!

• Temperature

Calibrators, Connectors, General Test and Measurement Instruments, Glass Bulb Thermometers, Handheld Instruments for Temperature Measurement, Ice Point References, Indicating Labels, Crayons, Cements and Lacquers, Infrared Temperature Measurement Instruments, Recorders Relative Humidity Measurement Instruments, RTD Probes, Elements and Assemblies, Temperature & Process Meters, Timers and Counters, Temperature and Process Controllers and Power Switching Devices, Thermistor Elements, Probes and Assemblies, Thermocouples Thermowells and Head and Well Assemblies, Transmitters, Wire

• Flow and Level

Air Velocity Indicators, Doppler Flowmeters, Level Measurement, Magnetic Flowmeters, Mass Flowmeters, Pitot Tubes, Pumps, Rotameters, Turbine and Paddle Wheel Flowmeters, Ultrasonic Flowmeters, Valves, Variable Area Flowmeters, Vortex Shedding Flowmeters

• pH and Conductivity

Conductivity Instrumentation, Dissolved Oxygen Instrumentation, Environmental Instrumentation, pH Electrodes and Instruments, Water and Soil Analysis Instrumentation

• Data Acquisition

Auto-Dialers and Alarm Monitoring Systems, Communication Products and Converters, Data Acquisition and Analysis Software, Data Loggers Plug-in Cards, Signal Conditioners, USB, RS232, RS485 and Parallel Port Data Acquisition Systems, Wireless Transmitters and Receivers

• Pressure, Strain and Force

Displacement Transducers, Dynamic Measurement Force Sensors, Instrumentation for Pressure and Strain Measurements, Load Cells, Pressure Gauges, Pressure Reference Section, Pressure Switches, Pressure Transducers, Proximity Transducers, Regulators, Strain Gages, Torque Transducers, Valves

• Heaters

Band Heaters, Cartridge Heaters, Circulation Heaters, Comfort Heaters, Controllers, Meters and Switching Devices, Flexible Heaters, General Test and Measurement Instruments, Heater Hook-up Wire, Heating Cable Systems, Immersion Heaters, Process Air and Duct, Heaters, Radiant Heaters, Strip Heaters, Tubular Heaters