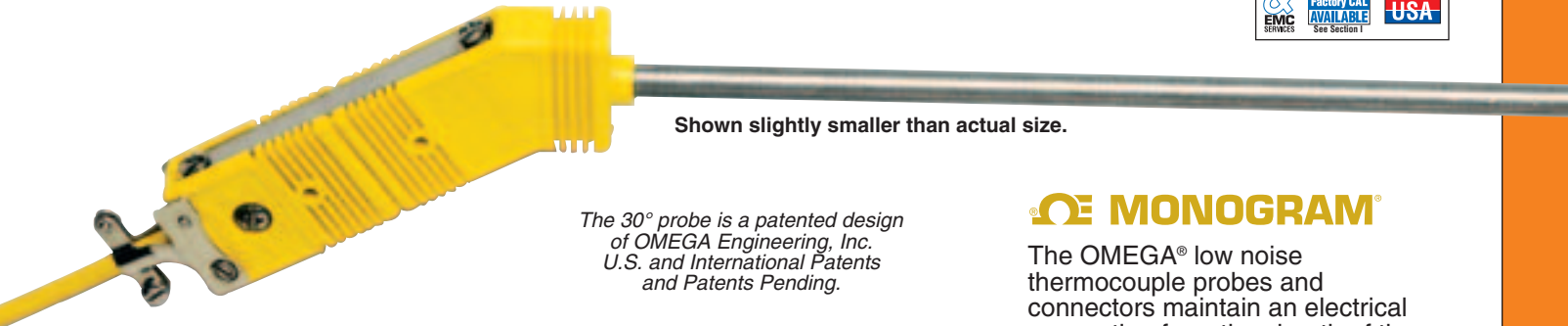


Low Noise Thermocouple Probes with High Temperature Standard Size Connectors

MEETS OR EXCEEDS
SPECIAL LIMITS
OF ERROR (SLE)
AND EN 60584-2:
Tolerance Class I

Available as
SUPER
OMEGA CLAD™ XL
THERMOCOUPLE PROBES
MAXIMUM PERFORMANCE SHEATHING
ELIMINATES HIGH TEMPERATURE DRIFT
See Pages A-45 to 48

EMC SERVICES
OMEGA CAL
FACTORY CAL
AVAILABLE
See Section I
MADE IN
USA



Shown slightly smaller than actual size.

The 30° probe is a patented design of OMEGA Engineering, Inc. U.S. and International Patents and Patents Pending.



- ✓ Connector Temperature Ratings: 260°C (500°F)
- ✓ Environmentally Friendly Cadmium-Free Liquid Crystal Polymer Material
- ✓ Mating Connector, Cable Clamp, Write-On Windows and Ground Strap Included!
- ✓ Ground Strap Connection Provides Protection Against Electrical Noise
- ✓ Ground Strap Provides Additional Mechanical Rigidity
- ✓ Write-on Area for Easy Identification
- ✓ Compatible with Standard Style Probes and Connectors
- ✓ Cal-5 Available

The Write-On connector is a U.S. patented design of OMEGA Engineering, Inc.

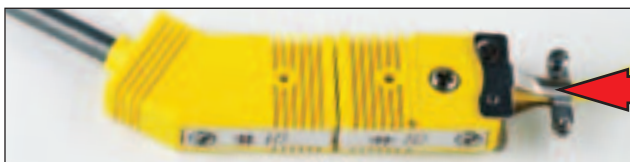
Ω MONOGRAM®

The OMEGA® low noise thermocouple probes and connectors maintain an electrical connection from the sheath of the probe, through the connectors, all the way to your instrumentation. This system assures high accuracy measurements, providing protection against electrical noise. The external strap maintains the electrical connection of the ground wire, and also strengthens the mechanical connection between the two connectors. The female connector features a handy write-on area, for easy identification.

ALL MODELS AVAILABLE FOR FAST DELIVERY!

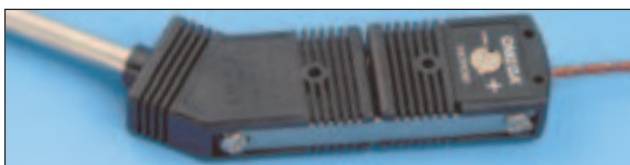
Replacement Write-On Windows

Model No.	Description	Price
WCP-L	GST connector face - 5 pk	\$1.00
WCP-GST	Connector/probe side - 5 pk	1.00

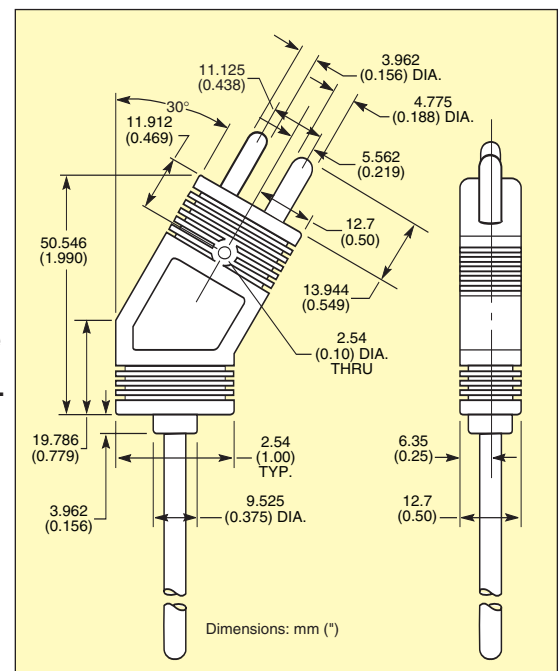


Mating connector, clamps and locking clip provided free with all low noise probes.

For applications not requiring the external ground strap, plastic write-on windows are included with each probe and connector to provide additional Write-On areas. Note: Windows cannot be used concurrently with ground straps. Mating connector 2 cable clamp provided free with all models.



Each connector pair includes a protective ground strap. Extra ground straps sold separately, Model GS-GST-10 (package of 10), \$2.75. Twisted/shielded wire is suggested for Low Noise Probes.



Low Noise High Temperature Probes

Standard Size Connectors

Standard Dimensions



ANSI color code shown
To order IEC color code see pg. A-9



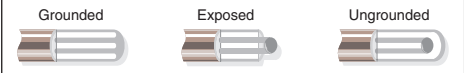
Mating connector, cable clamp and additional hardware included with all low noise probes.

Shown smaller than actual size.

MEETS OR EXCEEDS SPECIAL LIMITS OF ERROR (SLE) AND EN 60584-2: Tolerance Class 1



Junction Types



Cal-5 Available Popular Size Probes
12", 18" and 24" Lengths[†]

Also Available with 310, 321 SS, or Super OMEGACLAD[®] XL Sheath! See ordering suggestions below.

ALL MODELS AVAILABLE FOR FAST DELIVERY!

To Order (Specify Model Number)

Thermocouple Alloy	Sheath Dia. inches	Model No. 12" Length	Price		Model No. 18" Length	Price		Model No. 24" Length	Price		Price Per Add'l Ft.
			G*/E	U*		G*/E*	U*		G*/E*	U*	
IRON-CONSTANTAN Inconel Sheath J	1/16"	HGJQIN-116(*)-12	\$29	\$33	HGJQIN-116(*)-18	\$29.80	\$33.80	HGJQIN-116(*)-24	\$30.55	\$34.55	\$1.85
	1/8"	HGJQIN-18(*)-12	30	33	HGJQIN-18(*)-18	31.60	34.60	HGJQIN-18(*)-24	33.15	36.15	3.75
	3/16"	HGJQIN-316(*)-12	32	34	HGJQIN-316(*)-18	34.20	36.20	HGJQIN-316(*)-24	36.35	38.35	5.00
	1/4"	HGJQIN-14(*)-12	33	36	HGJQIN-14(*)-18	35.50	38.50	HGJQIN-14(*)-24	40.50	44.50	7.50
IRON-CONSTANTAN 304 SS Sheath J	1/16"	HGJQSS-116(*)-12	\$28	\$34	HGJQSS-116(*)-18	\$28.80	\$33.80	HGJQSS-116(*)-24	\$29.55	\$34.50	\$1.55
	1/8"	HGJQSS-18(*)-12	29	33	HGJQSS-18(*)-18	31.50	34.30	HGJQSS-18(*)-24	30.85	34.85	1.85
	3/16"	HGJQSS-316(*)-12	31	34	HGJQSS-316(*)-18	32.60	35.60	HGJQSS-316(*)-24	34.15	37.15	3.15
	1/4"	HGJQSS-14(*)-12	33	36	HGJQSS-14(*)-18	35.50	38.50	HGJQSS-14(*)-24	38.00	41.00	5.00
CHROMEGA [®] -ALOMEGA [®] Inconel Sheath K	1/16"	HGKQIN-116(*)-12	\$29	\$33	HGKQIN-116(*)-18	\$29.80	\$33.80	HGKQIN-116(*)-24	\$30.55	\$34.55	\$1.85
	1/8"	HGKQIN-18(*)-12	30	33	HGKQIN-18(*)-18	31.60	34.60	HGKQIN-18(*)-24	33.15	36.15	3.75
	3/16"	HGKQIN-316(*)-12	32	34	HGKQIN-316(*)-18	34.20	36.20	HGKQIN-316(*)-24	36.35	38.35	5.00
	1/4"	HGKQIN-14(*)-12	33	37	HGKQIN-14(*)-18	35.50	38.50	HGKQIN-14(*)-24	40.50	44.50	7.50
CHROMEGA [®] -ALOMEGA [®] 304 SS Sheath K	1/16"	HGKQSS-116(*)-12	\$28	\$33	HGKQSS-116(*)-18	\$28.80	\$33.80	HGKQSS-116(*)-24	\$29.55	\$34.50	\$1.55
	1/8"	HGKQSS-18(*)-12	29	33	HGKQSS-18(*)-18	31.50	34.30	HGKQSS-18(*)-24	30.85	34.85	1.85
	3/16"	HGKQSS-316(*)-12	31	34	HGKQSS-316(*)-18	32.60	35.60	HGKQSS-316(*)-24	34.15	37.15	3.15
	1/4"	HGKQSS-14(*)-12	33	36	HGKQSS-14(*)-18	35.50	38.50	HGKQSS-14(*)-24	38.00	41.00	5.00
CHROMEGA [®] -CONSTANTAN Inconel Sheath E	1/16"	HGEQIN-116(*)-12	\$29	\$33	HGEQIN-116(*)-18	\$29.80	\$33.80	HGEQIN-116(*)-24	\$30.55	\$34.55	\$1.85
	1/8"	HGEQIN-18(*)-12	30	33	HGEQIN-18(*)-18	31.60	34.60	HGEQIN-18(*)-24	33.15	36.15	3.75
	3/16"	HGEQIN-316(*)-12	32	34	HGEQIN-316(*)-18	34.20	36.20	HGEQIN-316(*)-24	36.35	38.35	5.00
	1/4"	HGEQIN-14(*)-12	33	36	HGEQIN-14(*)-18	35.50	38.50	HGEQIN-14(*)-24	40.50	44.50	7.50
CHROMEGA [®] -CONSTANTAN 304 SS Sheath E	1/16"	HGEQSS-116(*)-12	\$28	\$33	HGEQSS-116(*)-18	\$28.80	\$33.80	HGEQSS-116(*)-24	\$29.55	\$34.50	\$1.55
	1/8"	HGEQSS-18(*)-12	29	33	HGEQSS-18(*)-18	31.50	34.30	HGEQSS-18(*)-24	30.85	34.85	2.50
	3/16"	HGEQSS-316(*)-12	31	34	HGEQSS-316(*)-18	32.60	35.60	HGEQSS-316(*)-24	34.15	37.15	3.15
	1/4"	HGEQSS-14(*)-12	33	36	HGEQSS-14(*)-18	35.50	38.50	HGEQSS-14(*)-24	38.00	41.00	5.00
COPPER-CONSTANTAN Inconel Sheath T	1/16"	HGTQIN-116(*)-12	\$29	\$33	HGTQIN-116(*)-18	\$29.80	\$33.80	HGTQIN-116(*)-24	\$30.55	\$34.55	\$1.85
	1/8"	HGTQIN-18(*)-12	30	33	HGTQIN-18(*)-18	31.60	34.60	HGTQIN-18(*)-24	33.15	36.15	3.75
	3/16"	HGTQIN-316(*)-12	32	34	HGTQIN-316(*)-18	34.20	36.20	HGTQIN-316(*)-24	36.35	38.35	5.00
	1/4"	HGTQIN-14(*)-12	33	36	HGTQIN-14(*)-18	35.50	38.50	HGTQIN-14(*)-24	40.50	44.50	7.50
COPPER-CONSTANTAN 304 SS Sheath T	1/16"	HGTQSS-116(*)-12	\$28	\$33	HGTQSS-116(*)-18	\$28.80	\$33.80	HGTQSS-116(*)-24	\$29.55	\$34.50	\$1.55
	1/8"	HGTQSS-18(*)-12	29	33	HGTQSS-18(*)-18	31.50	31.60	HGTQSS-18(*)-24	30.85	34.85	2.50
	3/16"	HGTQSS-316(*)-12	31	34	HGTQSS-316(*)-18	32.60	35.60	HGTQSS-316(*)-24	34.15	37.15	3.15
	1/4"	HGTQSS-14(*)-12	33	36	HGTQSS-14(*)-18	35.50	38.50	HGTQSS-14(*)-24	38.00	41.00	5.00

*Specify junction type: **G** (Grounded), **E** (Exposed), or **U** (Ungrounded). No add'l charge for lengths from 2 to 12".

[†]Other lengths available, IEC Colors available, consult Sales Department. Each probe supplied with mating connector, cable clamp, ground strap and locking clip. Extra ground straps, **GS-GST-10**, \$2.75/pkg of 10.

To Order with 321 SS Sheath, change 'SS' in model number to '321SS', no additional charge; Example: **HGKQ321SS-316G-12**.

To order Super OMEGACLAD[®], change 'IN' to 'XL'; add \$3.

Ordering Example: **HGKQSS-116U-12**, quick disconnect probe, type K, 304 SS sheath, 1/16" O.D., ungrounded junction, 12" length, \$33.

Low Noise High Temperature Probes

Standard Size Connectors

Metric Dimensions



ANSI color code shown
To order IEC color code see pg. A-9

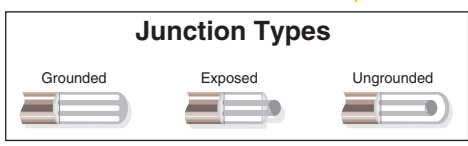


High Temperature Mating Connector Included!

The foolproof connector! Side and interior screws have combination heads, so you can use either a flathead or Phillips screwdriver. And, it's captive, so it won't fall out.

PATENTED
Covered by U.S and International patents and pending applications

MEETS OR EXCEEDS SPECIAL LIMITS OF ERROR (SLE) AND EN 60584-2: Tolerance Class 1



Mating connector and cable clamp included with all low noise probes.

Cal-5 Available

Popular Size Probes
300, 450, and 600 mm Lengths[†]

Also Available with 310, 321 SS, or Super OMEGACLAD[®] XL Sheath! See ordering suggestions below.



To Order (Specify Model Number)				ALL MODELS AVAILABLE FOR FAST DELIVERY!							
Thermocouple Alloy	Sheath Dia. mm	Model No. 300 mm Length	Price		Model No. 450 mm Length	Price		Model No. 600 mm Length	Price		Price/Add'l 300 mm
			G*/E	U*		G*/E*	U*		G*/E*	U*	
IRON-CONSTANTAN Inconel Sheath J	1.5	HGJQIN-M150(*)-300	\$29	\$33	HGJQIN-M150(*)-450	\$29.80	\$33.80	HGJQIN-M150(*)-600	\$30.55	\$34.55	\$1.85
	3.0	HGJQIN-M300(*)-300	30	33	HGJQIN-M300(*)-450	31.60	34.60	HGJQIN-M300(*)-600	33.15	36.15	3.75
	4.5	HGJQIN-M45(*)-300	32	34	HGJQIN-M45(*)-450	34.20	36.20	HGJQIN-M45(*)-600	36.35	38.35	5.00
	6.0	HGJQIN-M600(*)-300	33	36	HGJQIN-M600(*)-450	35.50	38.50	HGJQIN-M600(*)-600	40.50	44.50	7.50
IRON-CONSTANTAN 304 SS Sheath J	1.5	HGJQSS-M150(*)-300	\$28	\$34	HGJQSS-M150(*)-450	\$28.80	\$33.80	HGJQSS-M150(*)-600	\$29.55	\$34.50	\$1.55
	3.0	HGJQSS-M300(*)-300	29	33	HGJQSS-M300(*)-450	31.50	34.30	HGJQSS-M300(*)-600	30.85	34.85	1.85
	4.5	HGJQSS-M45(*)-300	31	34	HGJQSS-M45(*)-450	32.60	35.60	HGJQSS-M45(*)-600	34.15	37.15	3.15
	6.0	HGJQSS-M600(*)-300	33	36	HGJQSS-M600(*)-450	35.50	38.50	HGJQSS-M600(*)-600	38.00	41.00	5.00
CHROMEGA [®] -ALOMEGA [®] Inconel Sheath K	1.5	HGKQIN-M150(*)-300	\$29	\$33	HGKQIN-M150(*)-450	\$29.80	\$33.80	HGKQIN-M150(*)-600	\$30.55	\$34.55	\$1.85
	3.0	HGKQIN-M300(*)-300	30	33	HGKQIN-M300(*)-450	31.60	34.60	HGKQIN-M300(*)-600	33.15	36.15	3.75
	4.5	HGKQIN-M45(*)-300	32	34	HGKQIN-M45(*)-450	34.20	36.20	HGKQIN-M45(*)-600	36.35	38.35	5.00
	6.0	HGKQIN-M600(*)-300	33	37	HGKQIN-M600(*)-450	35.50	38.50	HGKQIN-M600(*)-600	40.50	44.50	7.50
CHROMEGA [®] -ALOMEGA [®] 304 SS Sheath K	1.5	HGKQSS-M150(*)-300	\$28	\$33	HGKQSS-M150(*)-450	\$28.80	\$33.80	HGKQSS-M150(*)-600	\$29.55	\$34.50	\$1.55
	3.0	HGKQSS-M300(*)-300	29	33	HGKQSS-M300(*)-450	31.50	34.30	HGKQSS-M300(*)-600	30.85	34.85	1.85
	4.5	HGKQSS-M45(*)-300	31	34	HGKQSS-M45(*)-450	32.60	35.60	HGKQSS-M45(*)-600	34.15	37.15	3.15
	6.0	HGKQSS-M600(*)-300	33	36	HGKQSS-M600(*)-450	35.50	38.50	HGKQSS-M600(*)-600	38.00	41.00	5.00
CHROMEGA [®] -CONSTANTAN Inconel Sheath E	1.5	HGEQIN-M150(*)-300	\$29	\$33	HGEQIN-M150(*)-450	\$29.80	\$33.80	HGEQIN-M150(*)-600	\$30.55	\$34.55	\$1.85
	3.0	HGEQIN-M300(*)-300	30	33	HGEQIN-M300(*)-450	31.60	34.60	HGEQIN-M300(*)-600	33.15	36.15	3.75
	4.5	HGEQIN-M45(*)-300	32	34	HGEQIN-M45(*)-450	34.20	36.20	HGEQIN-M45(*)-600	36.35	38.35	5.00
	6.0	HGEQIN-M600(*)-300	33	36	HGEQIN-M600(*)-450	35.50	38.50	HGEQIN-M600(*)-600	40.50	44.50	7.50
CHROMEGA [®] -CONSTANTAN 304 SS Sheath E	1.5	HGEQSS-M150(*)-300	\$28	\$33	HGEQSS-M150(*)-450	\$28.80	\$33.80	HGEQSS-M150(*)-600	\$29.55	\$34.50	\$1.55
	3.0	HGEQSS-M300(*)-300	29	33	HGEQSS-M300(*)-450	31.50	34.30	HGEQSS-M300(*)-600	30.85	34.85	2.50
	4.5	HGEQSS-M45(*)-300	31	34	HGEQSS-M45(*)-450	32.60	35.60	HGEQSS-M45(*)-600	34.15	37.15	3.15
	6.0	HGEQSS-M600(*)-300	33	36	HGEQSS-M600(*)-450	35.50	38.50	HGEQSS-M600(*)-600	38.00	41.00	5.00
COPPER-CONSTANTAN Inconel Sheath T	1.5	HGTQIN-M150(*)-300	\$29	\$33	HGTQIN-M150(*)-450	\$29.80	\$33.80	HGTQIN-M150(*)-600	\$30.55	\$34.55	\$1.85
	3.0	HGTQIN-M300(*)-300	30	33	HGTQIN-M300(*)-450	31.60	34.60	HGTQIN-M300(*)-600	33.15	36.15	3.75
	4.5	HGTQIN-M45(*)-300	32	34	HGTQIN-M45(*)-450	34.20	36.20	HGTQIN-M45(*)-600	36.35	38.35	5.00
	6.0	HGTQIN-M600(*)-300	33	36	HGTQIN-M600(*)-450	35.50	38.50	HGTQIN-M600(*)-600	40.50	44.50	7.50
COPPER-CONSTANTAN 304 SS Sheath T	1.5	HGTQSS-M150(*)-300	\$28	\$33	HGTQSS-M150(*)-450	\$28.80	\$33.80	HGTQSS-M150(*)-600	\$29.55	\$34.50	\$1.55
	3.0	HGTQSS-M300(*)-300	29	33	HGTQSS-M300(*)-450	31.50	31.60	HGTQSS-M300(*)-600	30.85	34.85	2.50
	4.5	HGTQSS-M45(*)-300	31	34	HGTQSS-M45(*)-450	32.60	35.60	HGTQSS-M45(*)-600	34.15	37.15	3.15
	6.0	HGTQSS-M600(*)-300	33	36	HGTQSS-M600(*)-450	35.50	38.50	HGTQSS-M600(*)-600	38.00	41.00	5.00

*Specify junction type: **G** (Grounded), **E** (Exposed), or **U** (Ungrounded). No add'l charge for lengths from 2 to 12".
[†]Other lengths available, IEC Colors available, consult Sales Department. Each probe supplied with mating connector, cable clamp, ground strap and locking clip. Extra ground straps, **GS-GST-10**, \$2.75/pkg of 10.
 To Order with 321 SS Sheath, change 'SS' in model number to '321SS', no additional charge; Example: **HGKQ321SS-316G-12**.
 To order Super OMEGACLAD[®], change 'IN' to 'XL', add \$3.
Ordering Example: HGKQIN-M300U-300, quick disconnect probe, Type K, Inconel sheath, 3.0 mm O.D., ungrounded junction, 300 mm length, \$33.



UNITED STATES

www.omega.com
1-800-TC-OMEGA
Stamford, CT.

CANADA

www.omega.ca
Laval(Quebec)
1-800-TC-OMEGA

GERMANY

www.omega.de
Deckenpfronn, Germany
0800-8266342

UNITED KINGDOM

www.omega.co.uk
Manchester, England
0800-488-488

FRANCE

www.omega.fr
Guyancourt, France
088-466-342

CZECH REPUBLIC

www.omegaeng.cz
Karviná, Czech Republic
596-311-899

BENELUX

www.omega.nl
Amstelveen, NL
0800-099-33-44



More than 100,000 Products Available!

• Temperature

Calibrators, Connectors, General Test and Measurement Instruments, Glass Bulb Thermometers, Handheld Instruments for Temperature Measurement, Ice Point References, Indicating Labels, Crayons, Cements and Lacquers, Infrared Temperature Measurement Instruments, Recorders Relative Humidity Measurement Instruments, RTD Probes, Elements and Assemblies, Temperature & Process Meters, Timers and Counters, Temperature and Process Controllers and Power Switching Devices, Thermistor Elements, Probes and Assemblies, Thermocouples Thermowells and Head and Well Assemblies, Transmitters, Wire

• Flow and Level

Air Velocity Indicators, Doppler Flowmeters, Level Measurement, Magnetic Flowmeters, Mass Flowmeters, Pitot Tubes, Pumps, Rotameters, Turbine and Paddle Wheel Flowmeters, Ultrasonic Flowmeters, Valves, Variable Area Flowmeters, Vortex Shedding Flowmeters

• pH and Conductivity

Conductivity Instrumentation, Dissolved Oxygen Instrumentation, Environmental Instrumentation, pH Electrodes and Instruments, Water and Soil Analysis Instrumentation

• Data Acquisition

Auto-Dialers and Alarm Monitoring Systems, Communication Products and Converters, Data Acquisition and Analysis Software, Data Loggers Plug-in Cards, Signal Conditioners, USB, RS232, RS485 and Parallel Port Data Acquisition Systems, Wireless Transmitters and Receivers

• Pressure, Strain and Force

Displacement Transducers, Dynamic Measurement Force Sensors, Instrumentation for Pressure and Strain Measurements, Load Cells, Pressure Gauges, Pressure Reference Section, Pressure Switches, Pressure Transducers, Proximity Transducers, Regulators, Strain Gages, Torque Transducers, Valves

• Heaters

Band Heaters, Cartridge Heaters, Circulation Heaters, Comfort Heaters, Controllers, Meters and Switching Devices, Flexible Heaters, General Test and Measurement Instruments, Heater Hook-up Wire, Heating Cable Systems, Immersion Heaters, Process Air and Duct, Heaters, Radiant Heaters, Strip Heaters, Tubular Heaters