

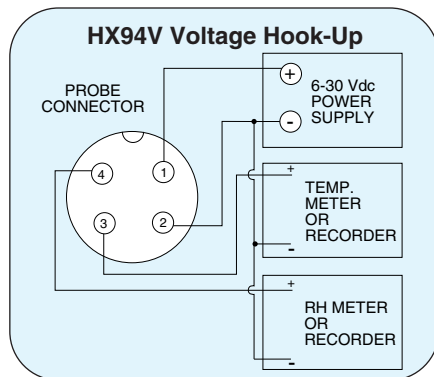
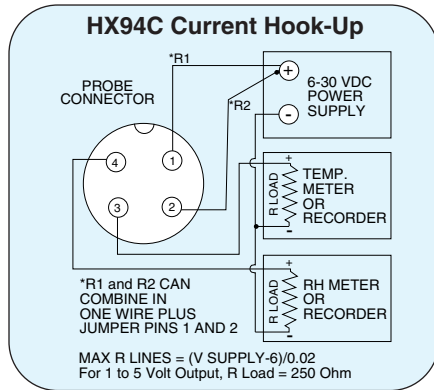
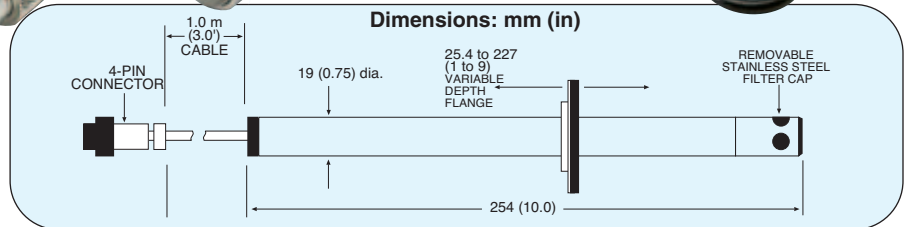
Relative Humidity Temperature Transmitters

- ✓ Stainless Steel NEMA 4 Housing
- ✓ 3 Different Output Connection Styles Available for Mounting Versatility
- ✓ 4 to 20 mA/0 to 1 Vdc Outputs
- ✓ Removable Stainless Steel Sensor Filter for Cleaning Ease

HX94 Series Starts at **\$245**



The HX94 relative humidity/temperature transmitter provides a reliable and low cost method for duct mount monitoring applications. Solid state sensors provide excellent sensitivity, fast response, and stability. Simple hookup and linearized output permit interfacing with most display and control devices.



Temperature

Thin-film 100 Ω Platinum RTD (DIN 43760)

Input Voltage Range:

6 to 30 Vdc, (polarity protected)

Range: 0 to 100°C (32 to 212°F)

Accuracy: ±0.6°C (±1°F)

Repeatability: ±0.3°C (±0.5°F)

Current Output:

HX94C: 4 to 20 mA for 0 to 100°C

Voltage Output:

HX94V: 0 to 1.0V for 0 to 100°C

Time Constant:

(for 60% response) Less than 2 seconds in moving air (1m/sec) less than 10 seconds in still air

Mechanical

Housing: Stainless steel NEMA 4 enclosure

Probe: 254 x 19 mm (10 x 0.75") Dia., 305 mm (12") cable

Duct Flange: Removable, variable 25.4 to 227 mm (1 to 9") depth. 70 mm (2.75") Dia., duct hole 21 mm (0.812") Dia. 4 mtg holes; 4 mm (0.156") Dia. (for #6 sheet metal screws) on 51 mm (2.00") Dia. circle; wall mounting bracket included

Connections:

HX94C/94V: 4 pin mating connector accepts 26 to 18 AWG wires

HX94CW/94VW: 1 m (3') braided and shielded cable, PVC sheathing

HX94CNPT/94VNPT: ½ male NPT conductor with 1 m (3') braided/shielded cable

Weight: 198 g (7 oz) with duct flange

MOST POPULAR MODELS HIGHLIGHTED!

Specifications

Relative Humidity

Thin-film polymer capacitor

Input Voltage Range:

6 to 30 Vdc, (polarity protected)

Range/Accuracy/Repeatability:

3 to 95% RH/±2% RH/±1% RH

Temperature Compensation:

-20 to 85°C (4 to 185°F)

Current Output:

HX94C: 4 to 20 mA (0 to 100% RH)

Voltage Output:

HX94V: 0 to 1.0V (0 to 100% RH)

Time Constant: (for 90% response at 25°C; in moving air, 1m/sec.)

Less than 20 seconds, 10 to 90% RH

Less than 30 seconds, 90 to 10% RH

To Order (Specify Model Number)

Model No.	Price	Description
HX94C	\$275	RH/temp transmitter with 4 to 20 mA outputs with 4 pin connector
HX94V	275	RH/temp transmitter with 0 to 1 Vdc outputs with 4 pin connector
HX94CW	245	RH/temp transmitter with 4 to 20 mA outputs with 1 m (3') lead wires
HX94VW	245	RH/temp transmitter with 0 to 1 Vdc outputs with 1 m (3') lead wires
HX94CNPT	255	RH/temp transmitter with 4 to 20 mA outputs with ½ male NPT fitting and 1 m (3') leads
HX94VNPT	255	RH/temp transmitter with 0 to 1 Vdc outputs with ½ male NPT fitting and 1 m (3') leads
HX94-MC	10	Spare 4-pin mating connector
PSR-24S	60	Regulated power supply, US plug, 90 to 264 Vac input, 24 Vdc output, 400 mA, screw terminals, UL
PSR-24L	60	Regulated power supply, US plug, 90 to 264 Vac input, 24 Vdc output, 400 mA, stripped leads, UL
PSR-24L-230	60	Regulated power supply, European plug, 230 Vac input, 24 Vdc output, 400 mA, stripped leads, CE
PSU-93	40	Unregulated power supply, 16 to 23 Vdc, 300 mA max, screw terminal
TX4-100	28.50	4 conductor shielded transmitter cable, 30 m (100')
CAL-3-HU	125	NIST-traceable calibration

Comes with mating connector, removable protective sensor filter, removable duct flange, wall mounting bracket, and operator's manual.

Ordering Example: HX94C, duct mount RH/temperature transmitter with 4 to 20 mA output, \$275.



UNITED STATES

www.omega.com
1-800-TC-OMEGA
Stamford, CT.

CANADA

www.omega.ca
Laval(Quebec)
1-800-TC-OMEGA

GERMANY

www.omega.de
Deckenpfronn, Germany
0800-8266342

UNITED KINGDOM

www.omega.co.uk
Manchester, England
0800-488-488

FRANCE

www.omega.fr
Guyancourt, France
088-466-342

CZECH REPUBLIC

www.omegaeng.cz
Karviná, Czech Republic
596-311-899

BENELUX

www.omega.nl
Amstelveen, NL
0800-099-33-44



More than 100,000 Products Available!

• Temperature

Calibrators, Connectors, General Test and Measurement Instruments, Glass Bulb Thermometers, Handheld Instruments for Temperature Measurement, Ice Point References, Indicating Labels, Crayons, Cements and Lacquers, Infrared Temperature Measurement Instruments, Recorders Relative Humidity Measurement Instruments, RTD Probes, Elements and Assemblies, Temperature & Process Meters, Timers and Counters, Temperature and Process Controllers and Power Switching Devices, Thermistor Elements, Probes and Assemblies, Thermocouples Thermowells and Head and Well Assemblies, Transmitters, Wire

• Flow and Level

Air Velocity Indicators, Doppler Flowmeters, Level Measurement, Magnetic Flowmeters, Mass Flowmeters, Pitot Tubes, Pumps, Rotameters, Turbine and Paddle Wheel Flowmeters, Ultrasonic Flowmeters, Valves, Variable Area Flowmeters, Vortex Shedding Flowmeters

• pH and Conductivity

Conductivity Instrumentation, Dissolved Oxygen Instrumentation, Environmental Instrumentation, pH Electrodes and Instruments, Water and Soil Analysis Instrumentation

• Data Acquisition

Auto-Dialers and Alarm Monitoring Systems, Communication Products and Converters, Data Acquisition and Analysis Software, Data Loggers Plug-in Cards, Signal Conditioners, USB, RS232, RS485 and Parallel Port Data Acquisition Systems, Wireless Transmitters and Receivers

• Pressure, Strain and Force

Displacement Transducers, Dynamic Measurement Force Sensors, Instrumentation for Pressure and Strain Measurements, Load Cells, Pressure Gauges, Pressure Reference Section, Pressure Switches, Pressure Transducers, Proximity Transducers, Regulators, Strain Gages, Torque Transducers, Valves

• Heaters

Band Heaters, Cartridge Heaters, Circulation Heaters, Comfort Heaters, Controllers, Meters and Switching Devices, Flexible Heaters, General Test and Measurement Instruments, Heater Hook-up Wire, Heating Cable Systems, Immersion Heaters, Process Air and Duct, Heaters, Radiant Heaters, Strip Heaters, Tubular Heaters