

Relative Humidity/Temperature Transmitters

For Duct or Wall Mounting

HX94ACW
\$245



HX94AC, \$275, shown much smaller than actual size.

- ✓ Accurate to $\pm 2.5\%$ Relative Humidity and $\pm 0.6^\circ\text{C}$ ($\pm 1^\circ\text{F}$) Temperature
- ✓ Provides Independent Analog Outputs for Both Humidity and Temperature Measurement
- ✓ Stainless Steel NEMA 4 (IP66) Housing
- ✓ 3 Different Output Connection Styles Available
- ✓ Models with 4 to 20 mA or 0 to 1 Vdc Outputs
- ✓ Removable Stainless Steel Sensor Filter
- ✓ Includes Hardware for Wall and Duct Mounting
- ✓ Standard Models Include Cable and Connector Pair

Connector pair included with models HX94AC and HX94AV only.

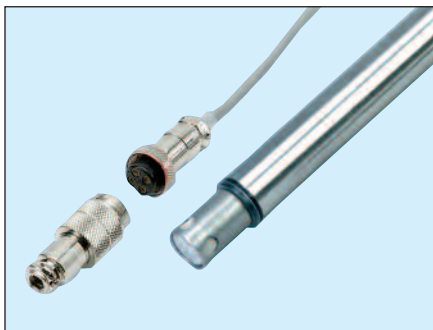
All models include mounting kit, shown above.

The HX94A relative humidity/temperature transmitter provides a reliable and low cost method for duct or wall mount monitoring applications. Solid state sensors provide excellent sensitivity, fast response, and stability.

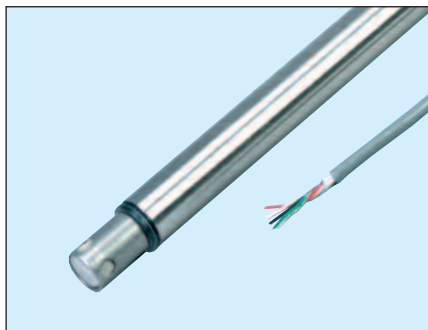
Simple hookup and linearized output permit interfacing with most display and control devices like meters, controllers, recorders, and data loggers. The design features a rugged stainless steel NEMA 4 (IP66) housing.

† Refer to ordering chart on next page for NIST calibration ordering information.

MODELS AVAILABLE WITH THREE DIFFERENT CONNECTION STYLES SHOWN BELOW!



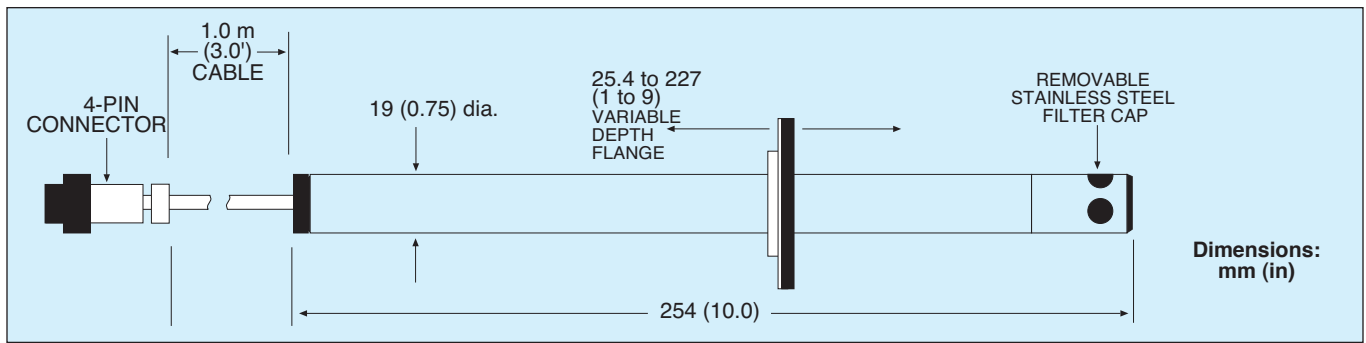
Standard connector model.



“W” and “NPT” models come with stripped leads.



NPT fitting model with stripped leads.



Specifications

Relative Humidity

Thin-film polymer capacitor

Power: 6 to 24 Vdc (polarity protected)

Measurement Range: 3 to 95% RH

Accuracy: ±2.5% @ 22°C (72°F) from 20 to 80% RH; ±3.1% @ 22°C (72°F) below 20 and above 80% RH; with an added temperature coefficient error of ±0.1% RH/°F (both increasing and decreasing in temperature)

Repeatability: ±1% RH

Temperature Compensation:

-20 to 85°C (-4 to 185°F)

Current Output:

HX94AC: 4 to 20 mA (0 to 100% RH)

Voltage Output:

HX94AV: 0 to 1.0 V (0 to 100% RH)

Time Constant: (for 90% response at 25°C; in moving air, 1m/sec)

Less than 20 Seconds: 10 to 90% RH

Less than 30 Seconds: 90 to 10% RH

Temperature

Thin-film 100 Ω Platinum RTD (DIN 43760)

Input Voltage Range:

6 to 24 Vdc (polarity protected)

Range: 0 to 100°C (32 to 212°F)

Accuracy: ±0.6°C (±1°F)

Repeatability: ±0.3°C (±0.5°F)

Current Output:

HX94AC: 4 to 20 mA for 0 to 100°C

Voltage Output:

HX94AV: 0 to 1.0 V for 0 to 100°C

Time Constant: (for 60% response)

Less than 2 seconds in moving air (1m/sec), less than 10 seconds in still air

Mechanical

Housing: 316 SS NEMA 4 (IP66) enclosure

Probe: 254 x 19 mm dia. (10 x 0.75"), 305 mm (12") cable

Duct Flange: Removable, variable 25.4 to 227 mm (1 to 9") depth. 70 mm (2.75") dia., duct hole 21 mm (0.812") dia. 4 mtg holes 4 mm (0.156") dia. (for #6 sheet metal screws) on 51 mm (2.00") dia. circle; wall mounting bracket included

Connections:

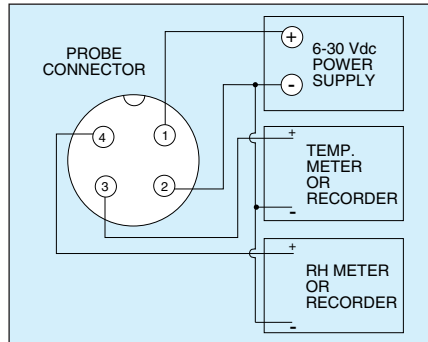
HX94AC/94AV: 4 pin mating connector accepts 26 to 18 AWG wires

HX94ACW/94AVW: 1 m (3') braided and shielded cable, PVC sheathing

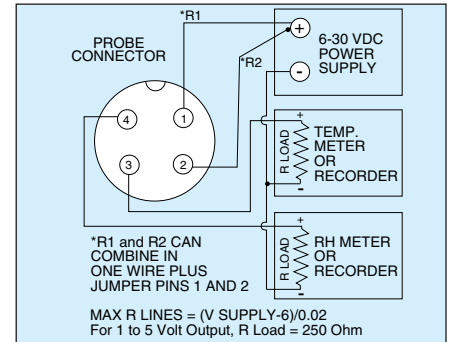
HX94ACNPT/94AVNPT: ½" male NPT conductor with 1 m (3') braided and shielded cable

Weight: 198 g (7 oz) with duct flange

Voltage Connector Models



Current Connector Models



Lead Wire Models

Models: HX94ACW, HX94ACNPT
(2-Wire Current Output with stripped leads)

Relative Humidity:

White Wire: + Power supply

Green Wire: 4 to 20 mA output

Bare Wire: Shield, earth ground

Temperature:

Black Wire: + Power supply

Red Wire: 4 to 20 mA output

Models: HX94AVW, HX94AVNPT
(3-Wire Voltage Output with stripped leads)

Relative Humidity:

Black Wire: + Power supply

Green Wire: 0 to 1 Vdc output

White Wire: - Power supply

Bare Wire: Shield, earth ground

Temperature:

Black Wire: + Power supply

Red Wire: 0 to 1 Vdc output

White Wire: - Power supply

MOST POPULAR MODELS HIGHLIGHTED!

To Order (Specify Model Number)

| Model No. | Price | Description |
|--------------------|--------------|--|
| HX94AC | \$275 | RH/temp transmitter with 4 to 20 mA outputs with 4-pin connector |
| HX94AV | 275 | RH/temp transmitter with 0 to 1 Vdc outputs with 4-pin connector |
| HX94ACW | 245 | RH/temp transmitter with 4 to 20 mA outputs with 1 m (3') lead wires |
| HX94AVW | 245 | RH/temp transmitter with 0 to 1 Vdc outputs with 1 m (3') lead wires |
| HX94ACNPT | 255 | RH/temp transmitter with 4 to 20 mA outputs with ½" male NPT fitting and 1 m (3') leads |
| HX94AVNPT | 255 | RH/temp transmitter with 0 to 1 Vdc outputs with ½" male NPT fitting and 1 m (3') leads |
| HX94-MC | 10 | Spare 4-pin mating connector |
| PSR-24S | 60 | Regulated power supply, US plug, 90 to 264 Vac input, 24 Vdc output, 400 mA, screw terminals, UL |
| PSR-24L | 60 | Regulated power supply, US plug, 90 to 264 Vac input, 24 Vdc output, 400 mA, stripped leads, UL |
| PSR-24L-230 | 60 | Regulated power supply, European plug, 230 Vac input, 24 Vdc output, 400 mA, stripped leads, CE |
| TX4-100 | 35 | 4 conductor shielded transmitter cable, 30 m (100') |
| CAL-3-HU† | 125 | NIST-traceable calibration |

Comes complete with mating connector (models HX94AC and HX94AV only), removable protective sensor filter, removable duct flange, wall mounting bracket, and operator's manual.

Ordering Example: HX94AC, duct mount RH/temperature transmitter with 4 to 20 mA output, \$275.



UNITED STATES

www.omega.com
1-800-TC-OMEGA
Stamford, CT.

CANADA

www.omega.ca
Laval(Quebec)
1-800-TC-OMEGA

GERMANY

www.omega.de
Deckenpfronn, Germany
0800-8266342

UNITED KINGDOM

www.omega.co.uk
Manchester, England
0800-488-488

FRANCE

www.omega.fr
Guyancourt, France
088-466-342

CZECH REPUBLIC

www.omegaeng.cz
Karviná, Czech Republic
596-311-899

BENELUX

www.omega.nl
Amstelveen, NL
0800-099-33-44



More than 100,000 Products Available!

• Temperature

Calibrators, Connectors, General Test and Measurement Instruments, Glass Bulb Thermometers, Handheld Instruments for Temperature Measurement, Ice Point References, Indicating Labels, Crayons, Cements and Lacquers, Infrared Temperature Measurement Instruments, Recorders Relative Humidity Measurement Instruments, RTD Probes, Elements and Assemblies, Temperature & Process Meters, Timers and Counters, Temperature and Process Controllers and Power Switching Devices, Thermistor Elements, Probes and Assemblies, Thermocouples Thermowells and Head and Well Assemblies, Transmitters, Wire

• Flow and Level

Air Velocity Indicators, Doppler Flowmeters, Level Measurement, Magnetic Flowmeters, Mass Flowmeters, Pitot Tubes, Pumps, Rotameters, Turbine and Paddle Wheel Flowmeters, Ultrasonic Flowmeters, Valves, Variable Area Flowmeters, Vortex Shedding Flowmeters

• pH and Conductivity

Conductivity Instrumentation, Dissolved Oxygen Instrumentation, Environmental Instrumentation, pH Electrodes and Instruments, Water and Soil Analysis Instrumentation

• Data Acquisition

Auto-Dialers and Alarm Monitoring Systems, Communication Products and Converters, Data Acquisition and Analysis Software, Data Loggers Plug-in Cards, Signal Conditioners, USB, RS232, RS485 and Parallel Port Data Acquisition Systems, Wireless Transmitters and Receivers

• Pressure, Strain and Force

Displacement Transducers, Dynamic Measurement Force Sensors, Instrumentation for Pressure and Strain Measurements, Load Cells, Pressure Gauges, Pressure Reference Section, Pressure Switches, Pressure Transducers, Proximity Transducers, Regulators, Strain Gages, Torque Transducers, Valves

• Heaters

Band Heaters, Cartridge Heaters, Circulation Heaters, Comfort Heaters, Controllers, Meters and Switching Devices, Flexible Heaters, General Test and Measurement Instruments, Heater Hook-up Wire, Heating Cable Systems, Immersion Heaters, Process Air and Duct, Heaters, Radiant Heaters, Strip Heaters, Tubular Heaters