

Relative Humidity/ Temperature Transmitters

- ✓ 2% RH Accuracy
- ✓ Easy to Install/Calibrate
- ✓ Rugged Design
- ✓ User-Selectable Outputs
- ✓ Reliable Sensor Technology
- ✓ Outside Air, Room, Duct Mount Models Available



HX95 Series
\$315
Basic Unit

The HX95 Series RH/temp transmitters offer superior versatility, reliability, and performance in low-profile space mount, duct mount, and outside air mount models. Prewired base and plug-in electronics in the cover make installation quick and easy. Wiring is connected to the terminal block in the base and the cover can be snapped into place at a later time, allowing the user to mount and wire the unit without the sensor and electronics.

Outputs available are either 4 to 20 mA, 0 to 5 Vdc, or 0 to 10 Vdc. The voltage output unit is jumper selectable for either 0 to 5 Vdc or 0 to 10 Vdc; all models are available with either 2 or 3% RH accuracy. Typical drift is less than 1% per year and all models can be quickly field calibrated using the HX95-CAL handheld one point RH calibrator. Just plug the HX95-CAL into the phone jack connector on the transmitter. The HX95-CAL displays the RH reference environment as well as the transmitter RH reading during calibration. A quick one-point offset adjustment allows calibration in about 60 seconds without interrupting transmitter operation.

The HX95, HX96, and HX97 transmitters, as well as the HX95-CAL, feature a bulk polymer resistive sensor that will not be affected by surface contamination in dirty environments. As a result, you can expect long-term stability with minimal drift. The HX97 outside air model is in a rugged case with the probe housed in an aluminum sheath allowing for uniform air flow, making it ideal for applications requiring a rugged transmitter to monitor outside air RH and temperature.



HX95 space mount transmitter shown with HX95-CAL RH calibrator, \$315 + 250 = \$565.

Specifications

Sensing Element:

RH: Resistance change bulk polymer
Temp: Thin-film platinum RTD

Accuracy at 25°C (77°F):

RH: ±2% or 3% RH from 20 to 95% RH
Temp: ±0.3°C (±0.5°F)

Operating Range:

0 to 99% RH non-condensing
-29 to 60°C (-20 to 140°F)

Long-Term Stability:

Less than 1% drift per year

Sensitivity: 0.1% RH

Repeatability: 0.5% RH

Signal Outputs: 4 to 20 mA, 0 to 5 Vdc, 0 to 10 Vdc linear (jumper selectable range on voltage output)

Supply Voltage: 18 to 36 Vdc

Storage Temperature:

-65 to 70°C (-85 to 185°F)

Dimensions:

See diagram

Weight:

All models under 2 lb (907 g)

HX95-CAL SPECIFICATIONS

Sensing Element:

Resistance change bulk polymer

Calibration Range:

20 to 90% RH

Single Point Calibration Accuracy:

±2.5% RH

Reference Probe Accuracy:

±2% RH (20 to 90% RH)

Long-Term Stability:

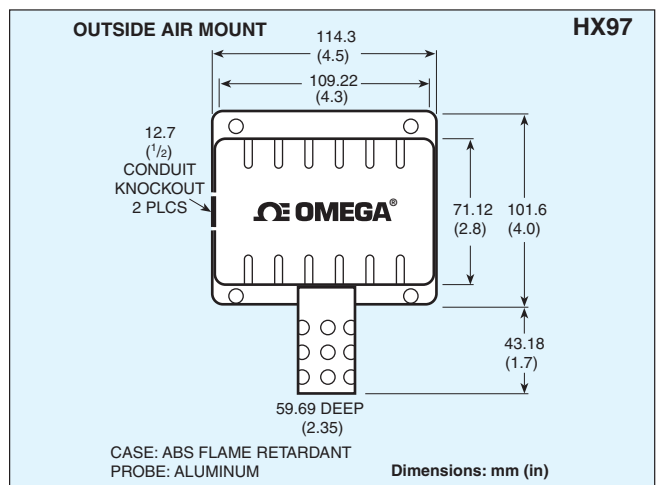
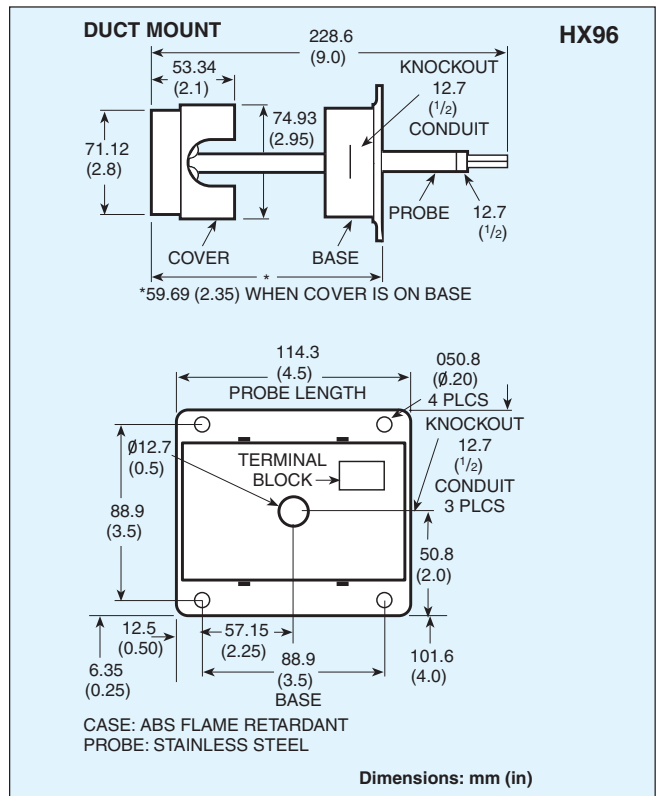
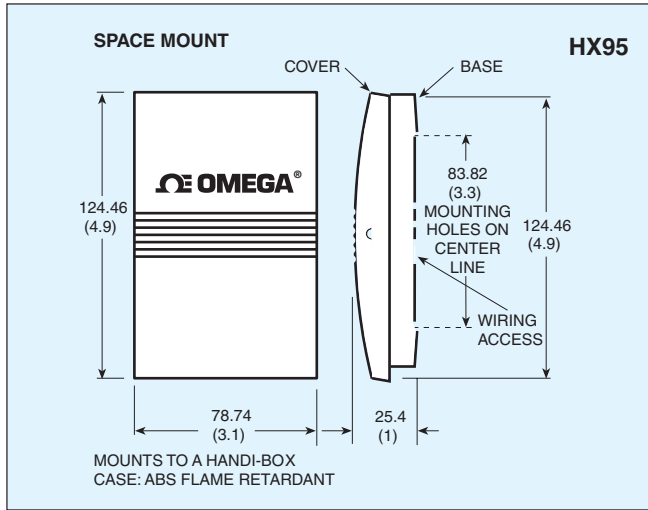
<1% drift per year

Probe Dimensions:

Diameter: 12.7 mm (0.5"); length: 76.2 mm (3")

Power Supply:

Supplied by HX95/6/7 (18 to 36 Vdc)



MOST POPULAR MODELS HIGHLIGHTED!

To Order (Specify Model Number)

| Model No. | Price | Description |
|------------------|-------|--|
| HX95-(*)-(**)-S | \$315 | Space mount RH/temperature transmitter |
| HX96-(*)-(**)-D | 435 | Duct mount RH/temperature transmitter |
| HX97-(*)-(**)-OA | 455 | Outside air RH/temperature transmitter |
| HX95-CAL | 250 | Handheld RH calibrator for HX95, HX96, HX97 |
| TX4-100 | 28.50 | 4-conductor shielded transmitter cable, 30 m (100') |
| CAL-3-HU | 125 | NIST-traceable calibration |
| PSR-24S | 60 | Regulated power supply, US plug, 90 to 264 Vac input, 24 Vdc output, 400 mA, screw terminals, UL |
| PSR-24L | 60 | Regulated power supply, US plug, 90 to 264 Vac input, 24 Vdc output, 400 mA, stripped leads, UL |
| PSR-24L-230 | 60 | Regulated power supply, European plug, 230 Vac input, 24 Vdc output, 400 mA, stripped leads, CE |
| PSU-93 | 40 | Unregulated power supply, 16 to 23 Vdc, 300 mA max, screw terminal |

*Insert "2" for 2% accuracy or "3" for 3% accuracy add \$95 for 2% accuracy models.

**Insert "C" for current output or "V" for voltage output (no additional charge).

All units come with complete operator's manual.

Ordering Example: HX97-2-C-OA, outside air RH/temperature transmitter, 2% accuracy, 4 to 20 mA output, \$455 + 95 = \$550.



UNITED STATES

www.omega.com
1-800-TC-OMEGA
Stamford, CT.

CANADA

www.omega.ca
Laval(Quebec)
1-800-TC-OMEGA

GERMANY

www.omega.de
Deckenpfronn, Germany
0800-8266342

UNITED KINGDOM

www.omega.co.uk
Manchester, England
0800-488-488

FRANCE

www.omega.fr
Guyancourt, France
088-466-342

CZECH REPUBLIC

www.omegaeng.cz
Karviná, Czech Republic
596-311-899

BENELUX

www.omega.nl
Amstelveen, NL
0800-099-33-44



More than 100,000 Products Available!

• Temperature

Calibrators, Connectors, General Test and Measurement Instruments, Glass Bulb Thermometers, Handheld Instruments for Temperature Measurement, Ice Point References, Indicating Labels, Crayons, Cements and Lacquers, Infrared Temperature Measurement Instruments, Recorders Relative Humidity Measurement Instruments, RTD Probes, Elements and Assemblies, Temperature & Process Meters, Timers and Counters, Temperature and Process Controllers and Power Switching Devices, Thermistor Elements, Probes and Assemblies, Thermocouples Thermowells and Head and Well Assemblies, Transmitters, Wire

• Flow and Level

Air Velocity Indicators, Doppler Flowmeters, Level Measurement, Magnetic Flowmeters, Mass Flowmeters, Pitot Tubes, Pumps, Rotameters, Turbine and Paddle Wheel Flowmeters, Ultrasonic Flowmeters, Valves, Variable Area Flowmeters, Vortex Shedding Flowmeters

• pH and Conductivity

Conductivity Instrumentation, Dissolved Oxygen Instrumentation, Environmental Instrumentation, pH Electrodes and Instruments, Water and Soil Analysis Instrumentation

• Data Acquisition

Auto-Dialers and Alarm Monitoring Systems, Communication Products and Converters, Data Acquisition and Analysis Software, Data Loggers Plug-in Cards, Signal Conditioners, USB, RS232, RS485 and Parallel Port Data Acquisition Systems, Wireless Transmitters and Receivers

• Pressure, Strain and Force

Displacement Transducers, Dynamic Measurement Force Sensors, Instrumentation for Pressure and Strain Measurements, Load Cells, Pressure Gauges, Pressure Reference Section, Pressure Switches, Pressure Transducers, Proximity Transducers, Regulators, Strain Gages, Torque Transducers, Valves

• Heaters

Band Heaters, Cartridge Heaters, Circulation Heaters, Comfort Heaters, Controllers, Meters and Switching Devices, Flexible Heaters, General Test and Measurement Instruments, Heater Hook-up Wire, Heating Cable Systems, Immersion Heaters, Process Air and Duct, Heaters, Radiant Heaters, Strip Heaters, Tubular Heaters