

# AC Current Transformers for Ammeters

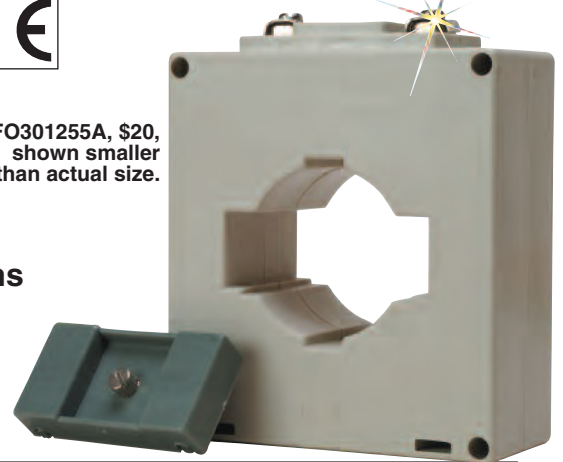


RCT1538005A, \$38, shown smaller than actual size.

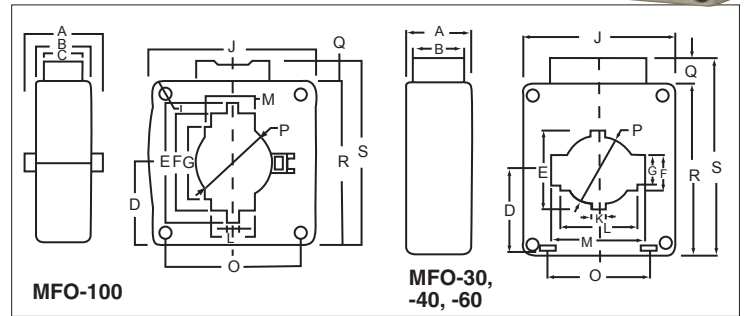
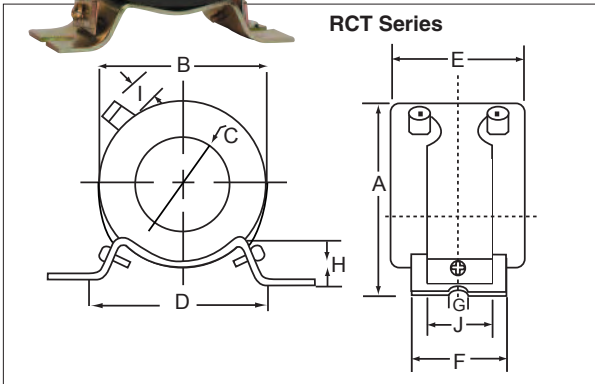
RCT/MFO Series Starts at **\$20**



MFO301255A, \$20, shown smaller than actual size.



- ✓ For Ammeters, Wattmeters, Instrumentation, Relays and Energy Management Systems
- ✓ Current Ratios from 20:5 to 3000:5

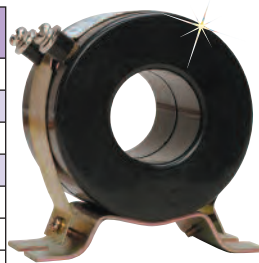


**Dimensions: mm**

Model No.	A	B	C	D	E	F	G	H	I	J	K	L	M	O	P	Q	R	S
MFO-30	43.5	31		41.8	30.5	20.5	10.7			75	10.7	20.5	30.5	48		16.5	82.5	99
MFO-40	43.5	31		41.8	41.5	13.3	10.5			75	13.5	30.6	41.5	48	31	16.5	82.5	99
MFO-60	43.5	31		53.4	50.2	22.2	20.7			99	10.7	50.5	60.3	65	45.8	16	108	124
MFO-100	64	44	31	67	100	80	60		8	140	10.5	35.8	41	110	63.4	16.5	133.5	150
RCT-15-1	92	78	35	65	55	45	8	17	14	25								
RCT-15-2	116	100	60	65	57	45	8	17	15	25.5								
RCT-15-3	150	135	91	74	59	45	8	17	15	26.2								
RCT-15-4	178	160	110	74	60	45	8	19	16	26.7								

**MOST POPULAR MODELS HIGHLIGHTED!**

Model No.	Price	Current Ratio	Window Size	Burden (VA)
RCT151205A	\$22	20/5 A	35 mm	2.5
RCT151605A	22	60/5 A	35 mm	5
RCT151755A	22	75/5 A	35 mm	5
RCT1511005A	22	100/5 A	35 mm	5
RCT1511255A	22	125/5 A	35 mm	5
RCT1511505A	22	150/5 A	35 mm	5
RCT1512005A	22	200/5 A	35 mm	10
RCT1512505A	22	250/5 A	35 mm	10
RCT1513005A	22	300/5 A	35 mm	10
RCT1524005A	24	400/5 A	60 mm	15
RCT1525005A	28	500/5 A	60 mm	15
RCT1526005A	31	600/5 A	60 mm	15
RCT1538005A	38	800/5 A	91 mm	15
RCT15310005A	46	1000/5 A	91 mm	15
RCT15312005A	53	1200/5 A	91 mm	15
RCT15415005A	63	1500/5 A	110 mm	15
RCT15420005A	77	2000/5 A	110 mm	15
RCT15425005A	90	2500/5 A	110 mm	15
RCT15430005A	104	3000/5 A	110 mm	15



RCT1511005A, \$20, shown smaller than actual size.

Note: Accuracy is class 1, secondary current is 5 A and power 40 VA.

Ordering Examples:  
 RCT1538005A, 800/5 A current ratio current transformer, \$38.  
 MFO10010005A, 1000/5 A current ratio current transformer, \$45.

Model No.	Price	Current Ratio	Window Size	Burden (VA)
MFO30505A	\$22	50/5 A	30.5 mm	2
MFO30605A	20	60/5 A	30.5 mm	2
MFO30755A	20	75/5 A	30.5 mm	2.5
MFO301005A	20	100/5 A	30.5 mm	2.5
MFO301255A	20	125/5 A	30.5 mm	2.5
MFO301505A	20	150/5 A	30.5 mm	3
MFO402005A	21	200/5 A	41.5 mm	5
MFO402505A	21	250/5 A	41.5 mm	5
MFO403005A	21	300/5 A	41.5 mm	5
MFO404005A	26	400/5 A	41.5 mm	5
MFO605005A	27	500/5 A	60.3 mm	7.5
MFO606005A	31	600/5 A	60.3 mm	7.5
MFO607005A	38	700/5 A	60.3 mm	7.5
MFO607505A	38	750/5 A	60.3 mm	7.5
MFO608005A	38	800/5 A	60.3 mm	7.5
MFO10010005A	45	1000/5 A	100 mm	10
MFO10012005A	53	1200/5 A	100 mm	10
MFO10015005A	63	1500/5 A	100 mm	10
MFO10020005A	77	2000/5 A	100 mm	10
MFO10025005A	95	2500/5 A	100 mm	10
MFO10030005A	104	3000/5 A	100 mm	10



#### UNITED STATES

[www.omega.com](http://www.omega.com)  
1-800-TC-OMEGA  
Stamford, CT.

#### CANADA

[www.omega.ca](http://www.omega.ca)  
Laval(Quebec)  
1-800-TC-OMEGA

#### GERMANY

[www.omega.de](http://www.omega.de)  
Deckenpfronn, Germany  
0800-8266342

#### UNITED KINGDOM

[www.omega.co.uk](http://www.omega.co.uk)  
Manchester, England  
0800-488-488

#### FRANCE

[www.omega.fr](http://www.omega.fr)  
Guyancourt, France  
088-466-342

#### CZECH REPUBLIC

[www.omegaeng.cz](http://www.omegaeng.cz)  
Karviná, Czech Republic  
596-311-899

#### BENELUX

[www.omega.nl](http://www.omega.nl)  
Amstelveen, NL  
0800-099-33-44



## More than 100,000 Products Available!

### • Temperature

Calibrators, Connectors, General Test and Measurement Instruments, Glass Bulb Thermometers, Handheld Instruments for Temperature Measurement, Ice Point References, Indicating Labels, Crayons, Cements and Lacquers, Infrared Temperature Measurement Instruments, Recorders Relative Humidity Measurement Instruments, RTD Probes, Elements and Assemblies, Temperature & Process Meters, Timers and Counters, Temperature and Process Controllers and Power Switching Devices, Thermistor Elements, Probes and Assemblies, Thermocouples Thermowells and Head and Well Assemblies, Transmitters, Wire

### • Flow and Level

Air Velocity Indicators, Doppler Flowmeters, Level Measurement, Magnetic Flowmeters, Mass Flowmeters, Pitot Tubes, Pumps, Rotameters, Turbine and Paddle Wheel Flowmeters, Ultrasonic Flowmeters, Valves, Variable Area Flowmeters, Vortex Shedding Flowmeters

### • pH and Conductivity

Conductivity Instrumentation, Dissolved Oxygen Instrumentation, Environmental Instrumentation, pH Electrodes and Instruments, Water and Soil Analysis Instrumentation

### • Data Acquisition

Auto-Dialers and Alarm Monitoring Systems, Communication Products and Converters, Data Acquisition and Analysis Software, Data Loggers Plug-in Cards, Signal Conditioners, USB, RS232, RS485 and Parallel Port Data Acquisition Systems, Wireless Transmitters and Receivers

### • Pressure, Strain and Force

Displacement Transducers, Dynamic Measurement Force Sensors, Instrumentation for Pressure and Strain Measurements, Load Cells, Pressure Gauges, Pressure Reference Section, Pressure Switches, Pressure Transducers, Proximity Transducers, Regulators, Strain Gages, Torque Transducers, Valves

### • Heaters

Band Heaters, Cartridge Heaters, Circulation Heaters, Comfort Heaters, Controllers, Meters and Switching Devices, Flexible Heaters, General Test and Measurement Instruments, Heater Hook-up Wire, Heating Cable Systems, Immersion Heaters, Process Air and Duct, Heaters, Radiant Heaters, Strip Heaters, Tubular Heaters