

Infrared Thermocouples

Handheld Design—Very Accurate Non-Contact Surface Measurement

Model OS-88202-(*)-(#)
\$310 (shown)

Model OS-98202-(*)-(#)
\$330

With Swivel Head

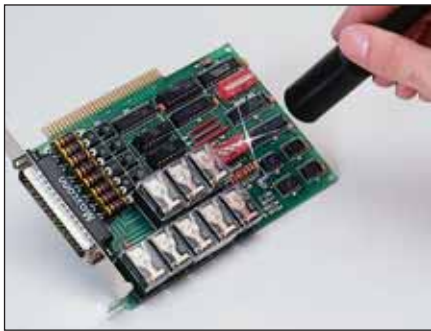
A roller-surface probe, ideal for measuring outside wall temperatures. Can be used on moving or rotating surfaces of 560 to 1500 mm (22 to 60") Dia., with 90 m (300') per min max surface velocity. Max 200°C (400°F) surface temperature.

Model OS-88010-(*)-(#)
\$325

Model OS-98010-(*)-(#)
\$345 (shown)

With Swivel Head

Long, 300 mm (12") reach probe. For use on ovens and furnaces. 160°C (325°F) max surface temperature.



- ✓ 1.5 m (5') PFA Shielded Cable
- ✓ GMP Low Noise Miniature Connector Standard
- ✓ Mating Female Connector Included

Model OS-88201-(*)-(#)
\$340

Model OS-88107-(*)-(#)
\$350

Right angle, long reach probe with 200 mm (8") sheath length. 160°C (325°F) max surface temperature.

Range Chart

Range Code	Temperature Range
-50F	-18 to 27°C (0 to 80°F)
-80F	10 to 49°C (50 to 120°F)
-98.6F	16 to 39°C (60 to 102°F)
-140F	25 to 80°C (80 to 180°F)
-180F	70 to 104°C (160 to 220°F)
-240F	95 to 130°C (200 to 270°F)
-280F	125 to 155°C (260 to 310°F)
-340F	145 to 175°C (290 to 350°F)
-440F	170 to 250°C (340 to 480°F)

Model OS-88001-(*)-(#)
\$260

Model OS-98001-(*)-(#)
\$280 (shown)

With Swivel Head

Standard probe for stationary surface measurements. Suited to molds, plates, walls, glassware, etc. 160°C (325°F) max surface temperature.

* Specify calibration: J, K, T or E. (#) Specify range code from range chart above.

Note: See complete dimensions on following page.

Ordering Example: OS-88001-K-140F, handheld infrared thermocouple for stationary surface measurements. Type K thermocouple, 25 to 80°C (80 to 180°F) range, \$260.

Very High Performance!



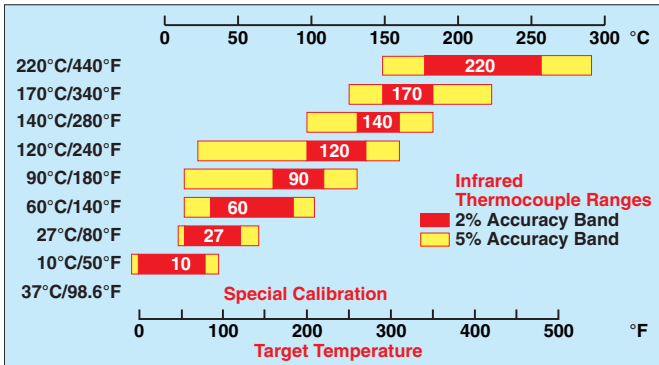
Model OS-98201-(*)-(#)
\$360

With Swivel Head

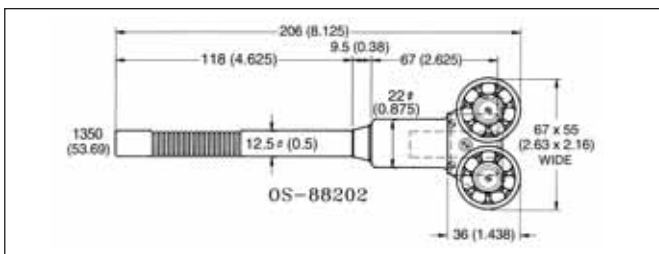
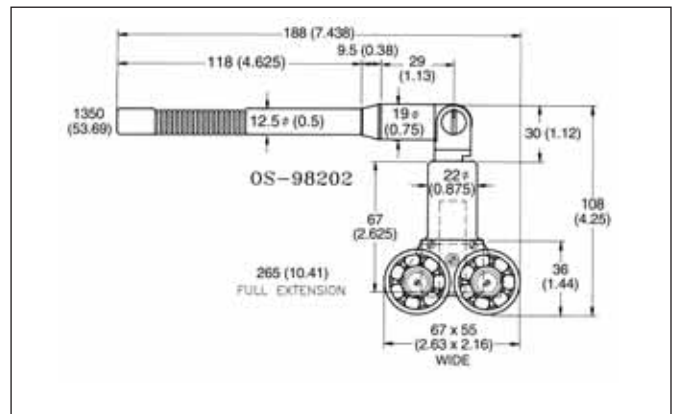
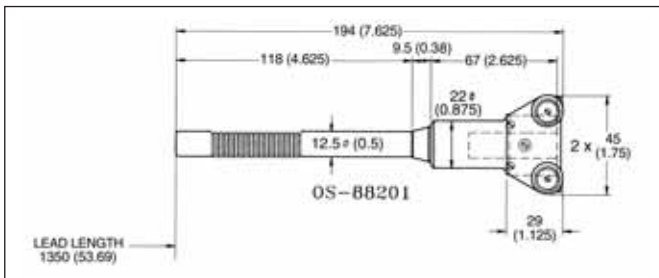
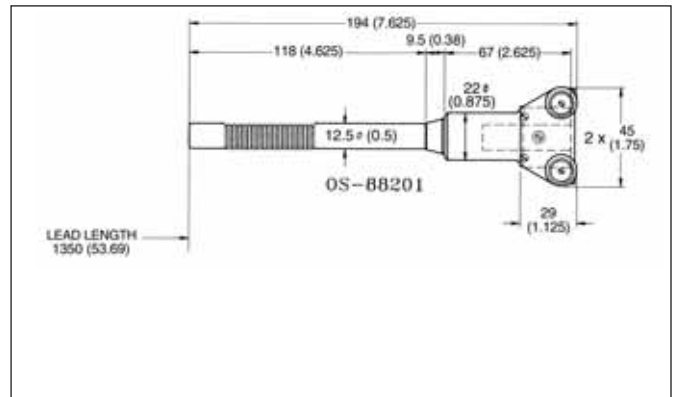
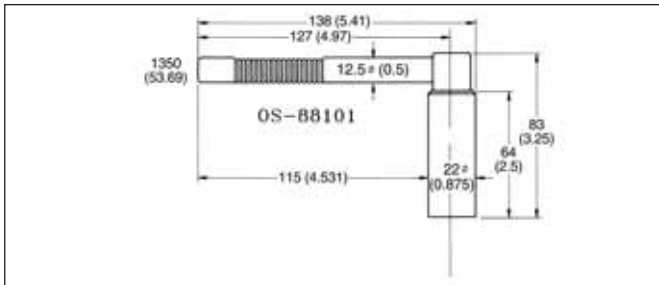
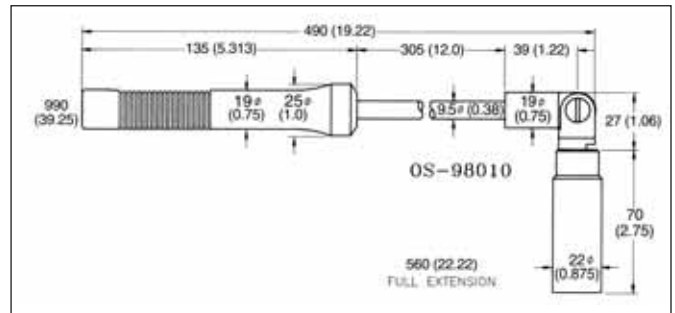
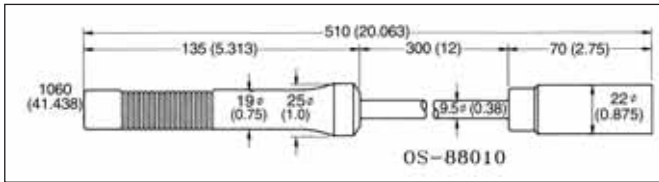
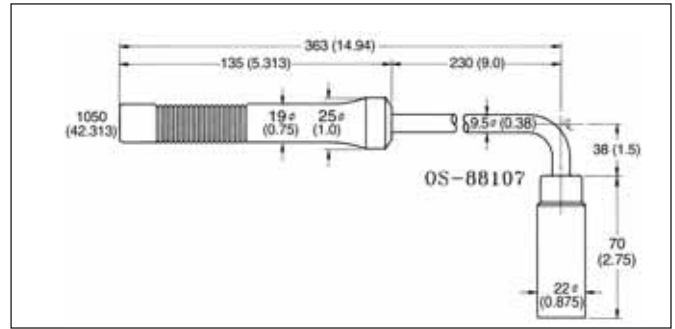
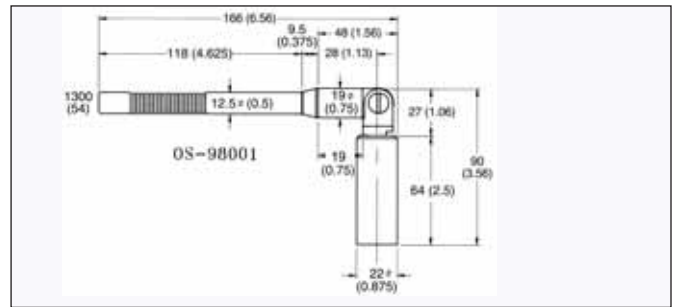
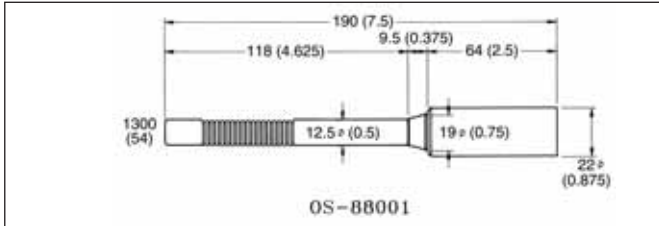
A roller-surface probe, for use on moving or rotating, smooth surfaces with velocity up to 60 m (200') per minute. 200°C (400°F) max surface temperature.

Model OS-88101-(*)-(#)
\$265

Right angle design for hard-to-reach inside surfaces. For measuring stationary surface temperatures. 160°C (325°F) max surface temperature.



Dimensions: mm (in)





UNITED STATES

www.omega.com
1-800-TC-OMEGA
Stamford, CT.

CANADA

www.omega.ca
Laval(Quebec)
1-800-TC-OMEGA

GERMANY

www.omega.de
Deckenpfronn, Germany
0800-8266342

UNITED KINGDOM

www.omega.co.uk
Manchester, England
0800-488-488

FRANCE

www.omega.fr
Guyancourt, France
088-466-342

CZECH REPUBLIC

www.omegaeng.cz
Karviná, Czech Republic
596-311-899

BENELUX

www.omega.nl
Amstelveen, NL
0800-099-33-44



More than 100,000 Products Available!

• Temperature

Calibrators, Connectors, General Test and Measurement Instruments, Glass Bulb Thermometers, Handheld Instruments for Temperature Measurement, Ice Point References, Indicating Labels, Crayons, Cements and Lacquers, Infrared Temperature Measurement Instruments, Recorders Relative Humidity Measurement Instruments, RTD Probes, Elements and Assemblies, Temperature & Process Meters, Timers and Counters, Temperature and Process Controllers and Power Switching Devices, Thermistor Elements, Probes and Assemblies, Thermocouples Thermowells and Head and Well Assemblies, Transmitters, Wire

• Flow and Level

Air Velocity Indicators, Doppler Flowmeters, Level Measurement, Magnetic Flowmeters, Mass Flowmeters, Pitot Tubes, Pumps, Rotameters, Turbine and Paddle Wheel Flowmeters, Ultrasonic Flowmeters, Valves, Variable Area Flowmeters, Vortex Shedding Flowmeters

• pH and Conductivity

Conductivity Instrumentation, Dissolved Oxygen Instrumentation, Environmental Instrumentation, pH Electrodes and Instruments, Water and Soil Analysis Instrumentation

• Data Acquisition

Auto-Dialers and Alarm Monitoring Systems, Communication Products and Converters, Data Acquisition and Analysis Software, Data Loggers Plug-in Cards, Signal Conditioners, USB, RS232, RS485 and Parallel Port Data Acquisition Systems, Wireless Transmitters and Receivers

• Pressure, Strain and Force

Displacement Transducers, Dynamic Measurement Force Sensors, Instrumentation for Pressure and Strain Measurements, Load Cells, Pressure Gauges, Pressure Reference Section, Pressure Switches, Pressure Transducers, Proximity Transducers, Regulators, Strain Gages, Torque Transducers, Valves

• Heaters

Band Heaters, Cartridge Heaters, Circulation Heaters, Comfort Heaters, Controllers, Meters and Switching Devices, Flexible Heaters, General Test and Measurement Instruments, Heater Hook-up Wire, Heating Cable Systems, Immersion Heaters, Process Air and Duct, Heaters, Radiant Heaters, Strip Heaters, Tubular Heaters