

Infrared Thermometers



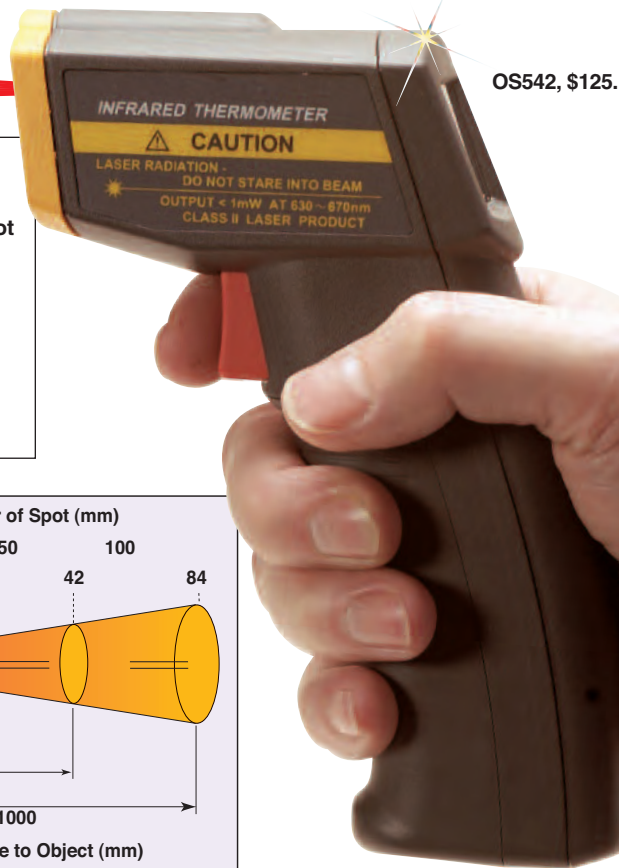
OS540 Series
Starts at
\$99



Patented Laser Sighting Circle or Dot Switchable

Switch From Circle To High Intensity Dot

PATENTED
Covered by U.S. and International patents and pending applications.

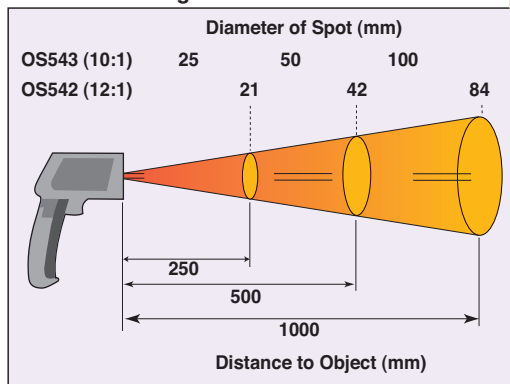


OS542, \$125.

- ✓ LCD with Backlight
- ✓ Circle/Dot Laser On/Off Switch (OS542)
- ✓ Auto Power-Off
- ✓ °C/°F Switchable
- ✓ Field of View; Model OS542: 12 to 1 Model OS543: 10 to 1
- ✓ Display Hold Function

The OS542 and OS543 are low priced infrared, which are ideal for education, training and demonstration programs. Industrial applications include diesel and fleet maintenance, electrical, measure ink and dryer temperature (screen-printing), in-process temperature measurement and food safety. Laser sighting helps locate target at a distance.

Field of View Diagram



Specifications

Display: 4 digit LCD
Display Illumination: Backlight by LCD
Field of View:
 OS542: 12:1
 OS543: 10:1
Target Indicator: Laser dot or circle
Emissivity:
 OS542: 0.98 (fixed)
 OS543: 0.95 (fixed)
Power Off: Automatic power off after 10 to 15 seconds
Temperature Range:
 OS542: -20 to 500°C (-4 to 932°F)
 OS543: -30 to 550°C (-22 to 1022°F)
Accuracy: ±2°C (4°F) or ±2% of rdg
Resolution:
 OS542: 0.1°C (0.2°F)
 OS543: 0.5°C (1°F), -9.5 to 199.5°C/°F
Repeatability: ±1% of rdg or ±1°C (2°F)
Storage Conditions:
 -10 to 60°C (14 to 140°F), 0 to 75% RH

Operating Ambient:

OS542: 0 to 40°C (32 to 104°F), 10 to 90% RH
 OS543: 0 to 50°C (32 to 122°F), 10 to 75% RH

Response Time: 0.5 second
Battery: 9V alkaline (included)
Battery Life: Approx 9 hours

Dimensions:

OS542:
 157.5 L x 115 W x 36 mm D
 (6.2 x 4.5 x 1.4")
 OS543: 148 L x 105 W x 42 mm D
 (5.8 x 4.1 x 1.6")

Weight: 180 g (6.3 oz)
Spectral Response:
 6 to 14 micron

OS543, \$99.

AVAILABLE FOR FAST DELIVERY!

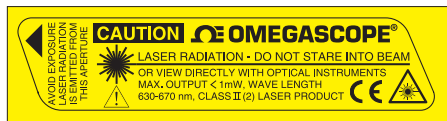
To Order (Specify Model Number)

Model No.	Price	Description
OS542	\$125	12:1 infrared thermometer
OS543	99	10:1 infrared thermometer

Comes complete with 9V battery, carrying pouch, operator's manual and laser circle to dot switchable sighting included (model OS542, OS543 laser dot only).

Ordering Examples: OS542, infrared thermometer, \$125.

OCW-3, OMEGACARE™ extends standard 1-year warranty to a total of 4 years (\$31), \$125 + 31 = \$156.





UNITED STATES

www.omega.com
1-800-TC-OMEGA
Stamford, CT.

CANADA

www.omega.ca
Laval(Quebec)
1-800-TC-OMEGA

GERMANY

www.omega.de
Deckenpfronn, Germany
0800-8266342

UNITED KINGDOM

www.omega.co.uk
Manchester, England
0800-488-488

FRANCE

www.omega.fr
Guyancourt, France
088-466-342

CZECH REPUBLIC

www.omegaeng.cz
Karviná, Czech Republic
596-311-899

BENELUX

www.omega.nl
Amstelveen, NL
0800-099-33-44



More than 100,000 Products Available!

• Temperature

Calibrators, Connectors, General Test and Measurement Instruments, Glass Bulb Thermometers, Handheld Instruments for Temperature Measurement, Ice Point References, Indicating Labels, Crayons, Cements and Lacquers, Infrared Temperature Measurement Instruments, Recorders Relative Humidity Measurement Instruments, RTD Probes, Elements and Assemblies, Temperature & Process Meters, Timers and Counters, Temperature and Process Controllers and Power Switching Devices, Thermistor Elements, Probes and Assemblies, Thermocouples Thermowells and Head and Well Assemblies, Transmitters, Wire

• Flow and Level

Air Velocity Indicators, Doppler Flowmeters, Level Measurement, Magnetic Flowmeters, Mass Flowmeters, Pitot Tubes, Pumps, Rotameters, Turbine and Paddle Wheel Flowmeters, Ultrasonic Flowmeters, Valves, Variable Area Flowmeters, Vortex Shedding Flowmeters

• pH and Conductivity

Conductivity Instrumentation, Dissolved Oxygen Instrumentation, Environmental Instrumentation, pH Electrodes and Instruments, Water and Soil Analysis Instrumentation

• Data Acquisition

Auto-Dialers and Alarm Monitoring Systems, Communication Products and Converters, Data Acquisition and Analysis Software, Data Loggers Plug-in Cards, Signal Conditioners, USB, RS232, RS485 and Parallel Port Data Acquisition Systems, Wireless Transmitters and Receivers

• Pressure, Strain and Force

Displacement Transducers, Dynamic Measurement Force Sensors, Instrumentation for Pressure and Strain Measurements, Load Cells, Pressure Gauges, Pressure Reference Section, Pressure Switches, Pressure Transducers, Proximity Transducers, Regulators, Strain Gages, Torque Transducers, Valves

• Heaters

Band Heaters, Cartridge Heaters, Circulation Heaters, Comfort Heaters, Controllers, Meters and Switching Devices, Flexible Heaters, General Test and Measurement Instruments, Heater Hook-up Wire, Heating Cable Systems, Immersion Heaters, Process Air and Duct, Heaters, Radiant Heaters, Strip Heaters, Tubular Heaters