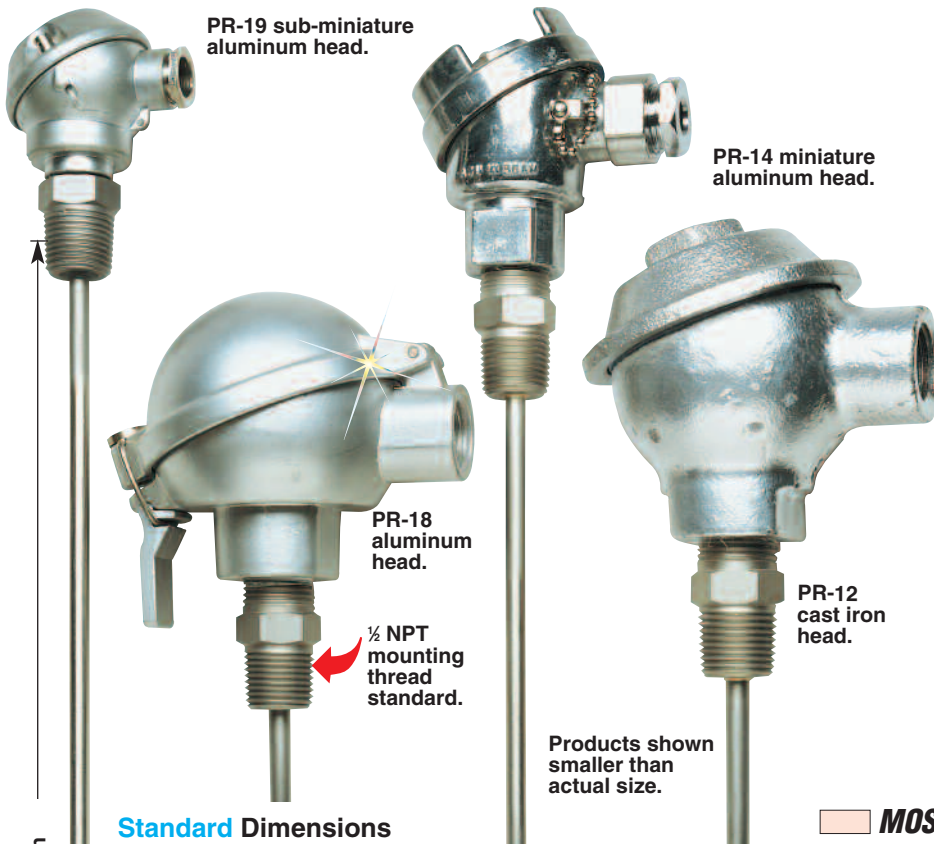


# Platinum RTD Probes

## Spring Loaded for Use in Thermowells

### Standard and Metric Dimensions

PR Series  
Starts at  
**\$101**



- ✓ Include Spring Loaded Probes for Improved Response Time and Vibration Resistance When Used in Thermowells (See Section B for Thermowells)
- ✓ Standard Probes are Supplied with 100 Ω, Class "A" DIN Platinum Elements in 3-Wire Configurations
- ✓ Multiple Connection Head Options Include Screw Cover and Snap Locking Enclosures with Ceramic Terminal Boards (See Table on Next Page and in Section B)
- ✓ A Full Line of Connection Head Mountable 4 to 20 mA Transmitters are Available for Use with Some Connection Head Models (See Table on Next Page and in Section N)

*Note: When installed in a thermowell, the thread engagement will equal the spring loading compression length.*

#### Standard Dimensions

**MOST POPULAR MODELS HIGHLIGHTED!**

To Order (Specify Model Number)					
Model Number	Lead Type†	Ω at 0°C	Sheath Length	1/4" OD Price	1/8 or 3/16" OD Price
PR-(**)-2-100-(*)-6-E-SL	2	100	6"	<b>\$101</b>	<b>\$105</b>
PR-(**)-2-100-(*)-9-E-SL	2	100	9"	<b>101</b>	<b>105</b>
PR-(**)-2-100-(*)-12-E-SL	2	100	12"	<b>101</b>	<b>105</b>
PR-(**)-2-100-(*)-18-E-SL	2	100	18"	<b>107</b>	<b>111</b>
PR-(**)-2-100-(*)-24-E-SL	2	100	24"	<b>116</b>	<b>117</b>

\* Specify 1/8, 3/16 or 1/4 for probe diameter in inches. Other lengths readily available.

\*\* Specify protection head style: 12 = cast iron; 14 = miniature aluminum; 18 = aluminum; 19 = subminiature aluminum.

† 3-wire lead configuration standard, contact sales for other configurations.

**Ordering Example:** PR-12-2-100-1/14-6-E-SL, industrial RTD probe with cast iron head, 3-wire configuration (style 2), 100 Ω, Class "A" DIN Platinum 1/4" diameter, 6" length, European curve ( $\alpha = 0.00385$ ), \$90.

#### Metric Dimensions

To Order (Specify Model Number)					
Model Number	Lead Type†	Ω at 0°C	Sheath Length	6 mm OD Price	3 or 4.5 mm OD Price
PR-(**)-2-100-(*)-150-E-SL	2	100	150 mm	<b>\$101</b>	<b>\$105</b>
PR-(**)-2-100-(*)-225-E-SL	2	100	225 mm	<b>101</b>	<b>105</b>
PR-(**)-2-100-(*)-300-E-SL	2	100	300 mm	<b>101</b>	<b>105</b>
PR-(**)-2-100-(*)-450-E-SL	2	100	450 mm	<b>107</b>	<b>111</b>
PR-(**)-2-100-(*)-600-E-SL	2	100	600 mm	<b>116</b>	<b>117</b>

\* Specify: M30, M45 or M60 for probe diameter in millimeters. Other lengths readily available.

\*\* Specify protection head style: 12 = cast iron; 14 = miniature aluminum; 18 = aluminum; 19 = subminiature aluminum.

† 3-wire lead configuration standard, contact sales for other configurations.

**Ordering Example:** PR-12-2-100-M60-150-E-SL, industrial RTD probe with cast iron head, 3-wire configuration (style 2), 100 Ω, Class "A" DIN Platinum 6 mm diameter, 150 mm length, European curve ( $\alpha = 0.00385$ ), \$90.

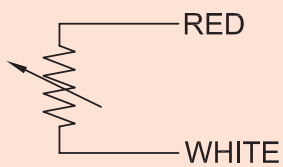
### Connection Head Options

Model No.	Connection Head Style	Material	Conduit Connection
PRTF-12	NB1 screw top	Cast iron	½ NPT
PRTF-14	NB2 screw top sub miniature	Aluminum	½ NPT with compression fitting for ⅛ to ¼" OD cable
PRTF-18	NB3 flip top	Aluminum	½ NPT
PRTF-19	NB4 screw down, subminiature	Aluminum	M16 x 1.0 with compression fitting

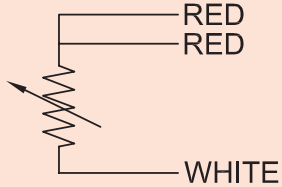
C

All of these sensors are supplied with ceramic terminal blocks with the sensors wired as shown.

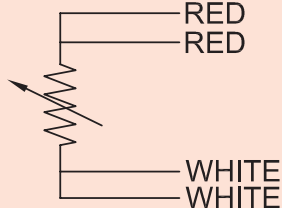
Use RTD Extension Wire, e.g., EXTT-3CU Series. See Page C-78.



STYLE 1  
2-WIRE




STYLE 2  
3-WIRE  
(STANDARD)



STYLE 3  
4-WIRE

**For Additional Transmitter Options See Section N**



**TX92 miniature transmitter,**  
\$188, see page N-39.



**TX94 ultra-low profile transmitter,**  
\$105, see page N-40.



**TX904 field rangeable transmitter,**  
\$173, see page N-42.

When the sensors are used in remote locations, or in environments where electro-magnetic noise is prevalent. Transmitters are a perfect choice. The transmitters shown above will convert the resistance of the RTD to a 4 to 20 mA signal.


**OMEGA can supply your thermowell needs, the following are styles available from stock:**



**260S Series general use thermowell,**  
\$20, see page B-20.



**260L Series lagging extension thermowell,**  
\$28, see page B-19.



**260A Series limited space thermowell,**  
\$20, see page B-33.



**260F Series flanged thermowell,**  
\$35, see page B-30.



#### UNITED STATES

[www.omega.com](http://www.omega.com)  
1-800-TC-OMEGA  
Stamford, CT.

#### CANADA

[www.omega.ca](http://www.omega.ca)  
Laval(Quebec)  
1-800-TC-OMEGA

#### GERMANY

[www.omega.de](http://www.omega.de)  
Deckenpfronn, Germany  
0800-8266342

#### UNITED KINGDOM

[www.omega.co.uk](http://www.omega.co.uk)  
Manchester, England  
0800-488-488

#### FRANCE

[www.omega.fr](http://www.omega.fr)  
Guyancourt, France  
088-466-342

#### CZECH REPUBLIC

[www.omegaeng.cz](http://www.omegaeng.cz)  
Karviná, Czech Republic  
596-311-899

#### BENELUX

[www.omega.nl](http://www.omega.nl)  
Amstelveen, NL  
0800-099-33-44



## More than 100,000 Products Available!

### • Temperature

Calibrators, Connectors, General Test and Measurement Instruments, Glass Bulb Thermometers, Handheld Instruments for Temperature Measurement, Ice Point References, Indicating Labels, Crayons, Cements and Lacquers, Infrared Temperature Measurement Instruments, Recorders Relative Humidity Measurement Instruments, RTD Probes, Elements and Assemblies, Temperature & Process Meters, Timers and Counters, Temperature and Process Controllers and Power Switching Devices, Thermistor Elements, Probes and Assemblies, Thermocouples Thermowells and Head and Well Assemblies, Transmitters, Wire

### • Flow and Level

Air Velocity Indicators, Doppler Flowmeters, Level Measurement, Magnetic Flowmeters, Mass Flowmeters, Pitot Tubes, Pumps, Rotameters, Turbine and Paddle Wheel Flowmeters, Ultrasonic Flowmeters, Valves, Variable Area Flowmeters, Vortex Shedding Flowmeters

### • pH and Conductivity

Conductivity Instrumentation, Dissolved Oxygen Instrumentation, Environmental Instrumentation, pH Electrodes and Instruments, Water and Soil Analysis Instrumentation

### • Data Acquisition

Auto-Dialers and Alarm Monitoring Systems, Communication Products and Converters, Data Acquisition and Analysis Software, Data Loggers Plug-in Cards, Signal Conditioners, USB, RS232, RS485 and Parallel Port Data Acquisition Systems, Wireless Transmitters and Receivers

### • Pressure, Strain and Force

Displacement Transducers, Dynamic Measurement Force Sensors, Instrumentation for Pressure and Strain Measurements, Load Cells, Pressure Gauges, Pressure Reference Section, Pressure Switches, Pressure Transducers, Proximity Transducers, Regulators, Strain Gages, Torque Transducers, Valves

### • Heaters

Band Heaters, Cartridge Heaters, Circulation Heaters, Comfort Heaters, Controllers, Meters and Switching Devices, Flexible Heaters, General Test and Measurement Instruments, Heater Hook-up Wire, Heating Cable Systems, Immersion Heaters, Process Air and Duct, Heaters, Radiant Heaters, Strip Heaters, Tubular Heaters