

Remote Display/ Programmer

Compatible with all **iSeries**
Meters and Controllers

RD4/RD6
Starts at
\$150



- ✓ 1/8 DIN Panel Cutout or Surface Mount
- ✓ Big LEDs: 21 mm (0.83")
- ✓ Alarm Indicators and Color Change
- ✓ Menu-Selectable Serial Inputs: ASCII RS232, RS485
- ✓ NEMA 4 (IP65) 1/8 DIN Bezel
- ✓ 20 mm (0.80") Behind Panel and Only 39 mm (1.6") Overall

Panel punches available, visit omega.com/panelpunches



RD4 in 1/8 DIN panel cutout, \$150.

Shown smaller than actual size.

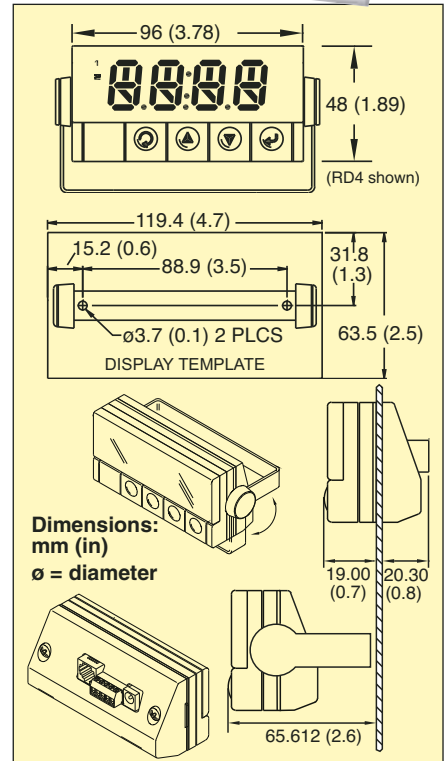
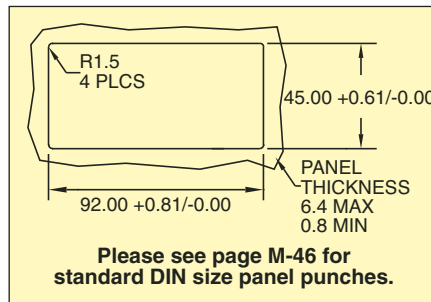
RD6 surface mount with included base, \$200.

Remote Display

The RD4/RD6 are 4- or 6-digit master/slave displays providing remote readout from instruments such as programmable controllers, digital panel meters, and other instruments with serial outputs. Two communication interfaces are supported in remote display: RS232 and RS485, which can be programmed through front-panel buttons. The RD4/RD6 remote display can be mounted in a 1/8 DIN panel cutout or surface mounted with the included base. The RD4 and RD6 feature big, bright, 21 mm (0.83") and 17.3 mm (0.68") 9-segment LEDs that can be programmed to change color between **GREEN**, **AMBER**, and **RED** to indicate alarms. Serial connections can be made to an RJ11 jack or screw terminals. In the slave mode, the RD4 and RD6 can be used for displaying alphanumeric characters from a computer. These displays are powered by a 10 to 36 Vdc supply or by an AC adaptor, 120/240 Vac to 12 Vdc (200 mA). (The compatible host device must have a serial RS232 or RS485 output.)

Specifications

Serial: ASCII interface RS232/RS485
Baud Rate: 300, 600, 1200, 2400, 4800, 9600, 19,200
Data Formats: 7 data/odd parity/1 stop, 7 data/even parity/1 stop, 8 data/no parity/1 stop
Power Requirements: 10 to 36 Vdc, or optional universal adaptor
Nominal Output: 9 Vdc @ 0.5 mA
Input: 100 to 240 Vac, 50/60 Hz
Storage Temperature: -20 to 85°C (-4 to 185°F)
Relative Humidity: 0 to 85%
Power Consumption: 2 W
Operating Temperature: 0 to 50°C (32 to 122°F)
Protection: NEMA 4 (IP65)
Mechanical Dimensions: 96 x 48 x 39 mm (3.78 x 1.89 x 1.6")
Panel Cutout: 92 x 45 mm (3.622 x 1.772")



AVAILABLE FOR FAST DELIVERY!

**Remote Displays
change color
At Any
Setpoint**

**PATENTED
Totally
Programmable
Color Displays**

To Order (Specify Model Number*)

Model No.	Price	Description
RD4	\$150	4-digit remote display for iSeries monitors and controllers
RD6	200	6-digit remote display for iSeries monitors and controllers
Options		
iLD24-EI	\$795	57 mm (2.25") 4-digit display with Ethernet, RS485/422 input*
iLD44-EI	995	101 mm (4") 4-digit display with Ethernet, RS485/422 input*
iLD26-EI	995	57 mm (2.25") 6-digit display with Ethernet, RS485/422 input*
iLD46-EI	1195	101 mm (4") 6-digit display with Ethernet, RS485/422 input*
DPP-5	525	1/8 DIN panel punch

Comes complete with operator's manual.

* For more information on the iLD Series please visit omega.com/ild_series

Ordering Examples: RD4, 4-digit remote display for iSeries monitors and controllers, \$150. RD6, 6-digit remote display for iSeries meters and controllers, \$200.





UNITED STATES

www.omega.com
1-800-TC-OMEGA
Stamford, CT.

CANADA

www.omega.ca
Laval(Quebec)
1-800-TC-OMEGA

GERMANY

www.omega.de
Deckenpfronn, Germany
0800-8266342

UNITED KINGDOM

www.omega.co.uk
Manchester, England
0800-488-488

FRANCE

www.omega.fr
Guyancourt, France
088-466-342

CZECH REPUBLIC

www.omegaeng.cz
Karviná, Czech Republic
596-311-899

BENELUX

www.omega.nl
Amstelveen, NL
0800-099-33-44



More than 100,000 Products Available!

• Temperature

Calibrators, Connectors, General Test and Measurement Instruments, Glass Bulb Thermometers, Handheld Instruments for Temperature Measurement, Ice Point References, Indicating Labels, Crayons, Cements and Lacquers, Infrared Temperature Measurement Instruments, Recorders Relative Humidity Measurement Instruments, RTD Probes, Elements and Assemblies, Temperature & Process Meters, Timers and Counters, Temperature and Process Controllers and Power Switching Devices, Thermistor Elements, Probes and Assemblies, Thermocouples Thermowells and Head and Well Assemblies, Transmitters, Wire

• Flow and Level

Air Velocity Indicators, Doppler Flowmeters, Level Measurement, Magnetic Flowmeters, Mass Flowmeters, Pitot Tubes, Pumps, Rotameters, Turbine and Paddle Wheel Flowmeters, Ultrasonic Flowmeters, Valves, Variable Area Flowmeters, Vortex Shedding Flowmeters

• pH and Conductivity

Conductivity Instrumentation, Dissolved Oxygen Instrumentation, Environmental Instrumentation, pH Electrodes and Instruments, Water and Soil Analysis Instrumentation

• Data Acquisition

Auto-Dialers and Alarm Monitoring Systems, Communication Products and Converters, Data Acquisition and Analysis Software, Data Loggers Plug-in Cards, Signal Conditioners, USB, RS232, RS485 and Parallel Port Data Acquisition Systems, Wireless Transmitters and Receivers

• Pressure, Strain and Force

Displacement Transducers, Dynamic Measurement Force Sensors, Instrumentation for Pressure and Strain Measurements, Load Cells, Pressure Gauges, Pressure Reference Section, Pressure Switches, Pressure Transducers, Proximity Transducers, Regulators, Strain Gages, Torque Transducers, Valves

• Heaters

Band Heaters, Cartridge Heaters, Circulation Heaters, Comfort Heaters, Controllers, Meters and Switching Devices, Flexible Heaters, General Test and Measurement Instruments, Heater Hook-up Wire, Heating Cable Systems, Immersion Heaters, Process Air and Duct, Heaters, Radiant Heaters, Strip Heaters, Tubular Heaters