



Connector/Transmitter For Sanitary Pt100 Probes with M12 Connector Splash-Proof Body and Integral Cable *The Smart Connector™*



M12 female 4-pin connector

Built-In Transmitter Housing!

SPRTX-SS1-M12, \$95, shown actual size.

U.S. Pat. No 7,259,686

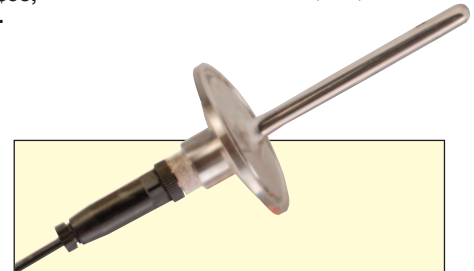
SPRTX-SS Series
All Models
\$95



Optional†

- ✓ Miniature Design Attaches Directly to Pt100 Sensors with M12 Connector
- ✓ 2-Wire, 4 to 20 mA Output
- ✓ ±0.5% FS Accuracy
- ✓ Upscale Break Protection
- ✓ Encapsulated Signal Conditioner with Water Tight Connector Housing
- ✓ Integral 4 m (12') Cable with Stripped Leads on One End

The SPRTX-SS temperature transmitters are high performance low cost industrial transmitters designed for direct connection to most CIP (clean-in-place) sanitary Pt100 probes with an M12 style connection. The SPRTX-SS transmitter attaches directly to a Pt100 probe with an M12 connection, such as the OMEGA® PRS-S-M12 Series, and PR-21 Series probes provide a standard 4 to 20 mA output signal.



SPRTX-SS transmitter with PRS-3-100-A-S-0400-D1-M12 heavy-duty sanitary RTD probe, \$140, shown smaller than actual size. See page 7 and 30 for additional Pt100 RTD probes, or visit omega.com/prs-3-100-m12 and omega.com/pr-21

Input: RTD, Pt100 (0.00385 curve), 3 or 4-wire; M12 4-pin female connector
Ambient Temperature: -40 to 85°C (-40 to 185°F)
Probe/Sensor Connection: M12 style, 4-pin female
Output Connection: Integral 2-wire shielded polyurethane cable, 4 m (12')
Approvals: CE marked
Dimensions: 76 L x 20 mm Dia (3.0 x 0.8") without cable
Weight: 110 g (0.25 lb) max, with cable

Specifications

Supply Voltage:

9 to 24 Vdc: @ 30 mA max
8 to 35 Vdc: NEMA 4 enclosures recommended for external power supply in washdown, outdoor or other wet environments

Max Loop Resistance:

(Vs - 9V) / 0.020 A

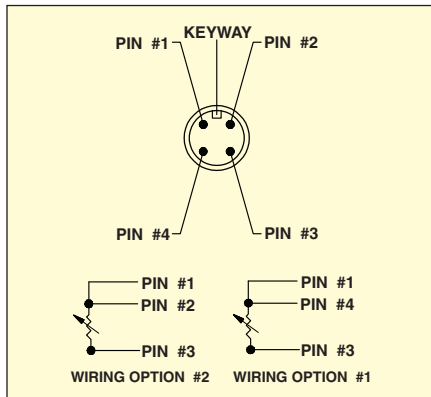
Output Range: Linearized 4 to 20 mA dc over specified input range

Accuracy: ±0.5% FS @ 23°C (73°F)

Repeatability: ±0.25°C (0.5°F)

Temperature Effect: ±0.00022 mA/°C (0.00012 mA/°F)

MOST POPULAR MODEL HIGHLIGHTED!



To Order (Specify Model Number)

Model No.	Price	Input Range
SPRTX-SS1-M12-(*)	\$95	-99 to 208°C
SPRTX-SS2-M12-(*)	95	2 to 569°C

(*) Specify wiring option (see diagrams): "1" for wiring option 1, "2" for wiring option 2

Accessories

Model No.	Price	Input Range
SCTX2-100	\$125	Extension cable, 2-wire shielded, 30 m (100')
PSR-24S	60	Regulated power supply, 24 Vdc, 400 mA, screw terminals
PSR-24L	60	Regulated power supply, 24 Vdc, 400 mA, UL, 1.8 m (6') cable with stripped leads
PSR-24L-230	60	Regulated power supply, 24 Vdc, 400 mA, 230 Vac, CE, 1.8 m (6') cable with stripped leads
SCE-604ELJ*	37	NEMA type 4 enclosure 6 H x 4 W x 4" D
CAL-3†	75	NIST traceable calibration with data

* For ELJ Series enclosures and sub-panels visit omega.com/sce_elj

The SPRTX-SS comes complete with operator's manual.

Ordering Example: SPRTX-SS1-M12-1, temperature transmitter with Pt100 input, -99 to 208°C (-146 to 406°F) range, 4 to 20 mA output, wiring option 1, M12 female connector for probes (input) and 4 m (12') cable with PSR-24S, screw terminal power supply, \$95 + 60 = \$155.



UNITED STATES

www.omega.com
1-800-TC-OMEGA
Stamford, CT.

CANADA

www.omega.ca
Laval(Quebec)
1-800-TC-OMEGA

GERMANY

www.omega.de
Deckenpfronn, Germany
0800-8266342

UNITED KINGDOM

www.omega.co.uk
Manchester, England
0800-488-488

FRANCE

www.omega.fr
Guyancourt, France
088-466-342

CZECH REPUBLIC

www.omegaeng.cz
Karviná, Czech Republic
596-311-899

BENELUX

www.omega.nl
Amstelveen, NL
0800-099-33-44



More than 100,000 Products Available!

• Temperature

Calibrators, Connectors, General Test and Measurement Instruments, Glass Bulb Thermometers, Handheld Instruments for Temperature Measurement, Ice Point References, Indicating Labels, Crayons, Cements and Lacquers, Infrared Temperature Measurement Instruments, Recorders Relative Humidity Measurement Instruments, RTD Probes, Elements and Assemblies, Temperature & Process Meters, Timers and Counters, Temperature and Process Controllers and Power Switching Devices, Thermistor Elements, Probes and Assemblies, Thermocouples Thermowells and Head and Well Assemblies, Transmitters, Wire

• Flow and Level

Air Velocity Indicators, Doppler Flowmeters, Level Measurement, Magnetic Flowmeters, Mass Flowmeters, Pitot Tubes, Pumps, Rotameters, Turbine and Paddle Wheel Flowmeters, Ultrasonic Flowmeters, Valves, Variable Area Flowmeters, Vortex Shedding Flowmeters

• pH and Conductivity

Conductivity Instrumentation, Dissolved Oxygen Instrumentation, Environmental Instrumentation, pH Electrodes and Instruments, Water and Soil Analysis Instrumentation

• Data Acquisition

Auto-Dialers and Alarm Monitoring Systems, Communication Products and Converters, Data Acquisition and Analysis Software, Data Loggers Plug-in Cards, Signal Conditioners, USB, RS232, RS485 and Parallel Port Data Acquisition Systems, Wireless Transmitters and Receivers

• Pressure, Strain and Force

Displacement Transducers, Dynamic Measurement Force Sensors, Instrumentation for Pressure and Strain Measurements, Load Cells, Pressure Gauges, Pressure Reference Section, Pressure Switches, Pressure Transducers, Proximity Transducers, Regulators, Strain Gages, Torque Transducers, Valves

• Heaters

Band Heaters, Cartridge Heaters, Circulation Heaters, Comfort Heaters, Controllers, Meters and Switching Devices, Flexible Heaters, General Test and Measurement Instruments, Heater Hook-up Wire, Heating Cable Systems, Immersion Heaters, Process Air and Duct, Heaters, Radiant Heaters, Strip Heaters, Tubular Heaters