

Sanitary Thermistor Probes Heavy-Duty—With Integral Cable



THS-H-CB-120 Series

\$150

All Models



**For Use in
CIP and Sanitary
Processes**

- ✓ Heavy-Duty Probe Design with Stepped Probe Stem for Additional Strength
- ✓ 1½" 16 AMP Tri-Grip™ (Tri-Clamp® Compatible) Fitting Standard
- ✓ 3 m (10') of 2-Conductor 26 AWG Stranded Nickel Plated Copper, PFA Insulated and Jacketed Cable with Strain Relief Standard
- ✓ 316L SS Wetted Surfaces with 32 µin or Better Finish
- ✓ 10k Thermistor Element (44006) Standard
- ✓ -80 to 150°C (-112 to 302°F) Temperature Range

Options

- ✓ Fitting Styles
- ✓ Probe Lengths
- ✓ Thermistor Elements
- ✓ Cable Lengths

The OMEGA® THS-H-CB-120 Series thermistor probe assemblies are available in standard lengths from 3 to 6", with standard 10 kΩ (44006) thermistor element. These heavy-duty probes have a ¾" diameter, which steps down to a ⅜" diameter at the probe tip, for fast response and additional strength. Standard features include a 1½" 16 AMP Tri-Grip™ fitting and 3 m (10') of PFA insulated and jacketed cable with strain relief. Please consult sales for available options, including element types and curves, probe lengths, protection heads and sanitary fitting styles.

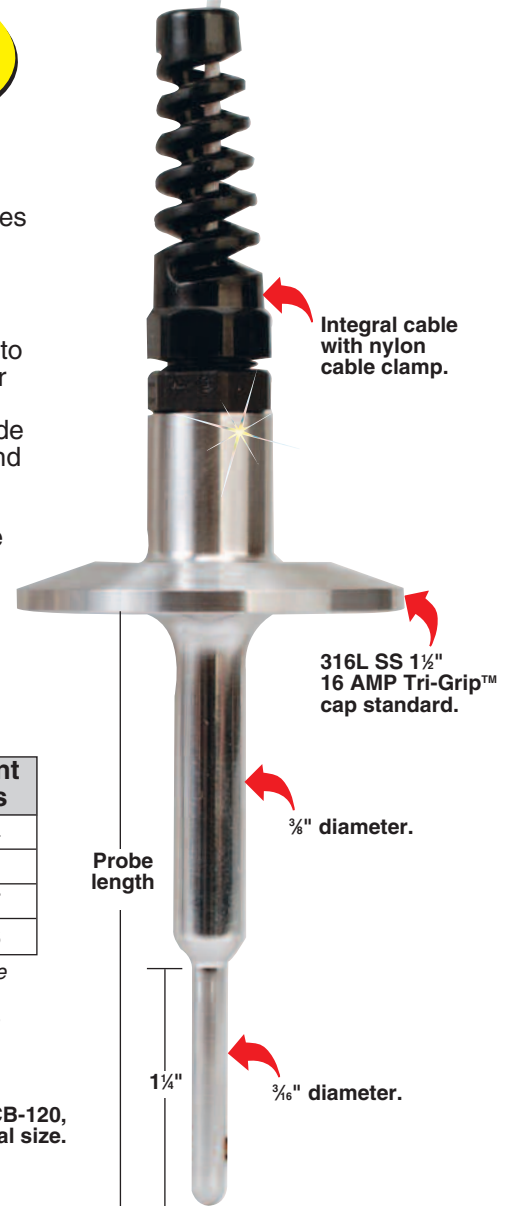
Element Options

Sensor Code	Resistance @ 25°C	Element Series
2K	2252 Ω	44004
3K	3000 Ω	44005
5K	5000 Ω	44007
30K	30,000 Ω	44008

For other thermistor elements, change the model number from "10K" to the desired sensor code as shown in the table above, no additional cost.

**32 µin
Finish**

THS-10K-H-0300-D1-CB-120,
\$150, shown actual size.



MOST POPULAR MODEL HIGHLIGHTED!

To Order (Specify Model Number)						
Model No.	Price	Resistance at 25°C	Element Series	Interchangeability (0 to 70°C)	Sheath Diameter	Probe Length
THS-10K-H-0300-D1-CB-120	\$150	10,000 Ω	44006	±0.2°C	¼"	3"
THS-10K-H-0400-D1-CB-120	150	10,000 Ω	44006	±0.2°C	¼"	4"
THS-10K-H-0500-D1-CB-120	150	10,000 Ω	44006	±0.2°C	¼"	5"
THS-10K-H-0600-D1-CB-120	150	10,000 Ω	44006	±0.2°C	¼"	6"

For probe lengths longer than 6", change "-0600" in model number to the required length (example: 12" = "-1200", 9¼" = "-0925") and add \$1 per inch to price.

For cable lengths longer than 3 m (10'), change the "-120" in model number to the desired length in inches, and add \$1 per additional foot to price.

Ordering Examples: THS-10K-H-0400-D1-CB-120, 10,000 Ω thermistor sensor, 1½" 16 AMP Tri-Grip™ fitting, 4" length, heavy-duty probe, 3 m (10') PFA insulated/jacketed cable, \$150.

THS-10K-H-0400-D1-CB-144, 10,000 Ω thermistor sensor, 1½" 16 AMP Tri-Grip™ fitting, 4" length, heavy-duty probe, 3.6 m (144") PFA insulated/jacketed cable, \$150 + (2 x 1) = \$152.



Sanitary Thermistor Probes

Standard Duty—With Integral Cable

THS-S-CB-120 Series

\$120

All Models

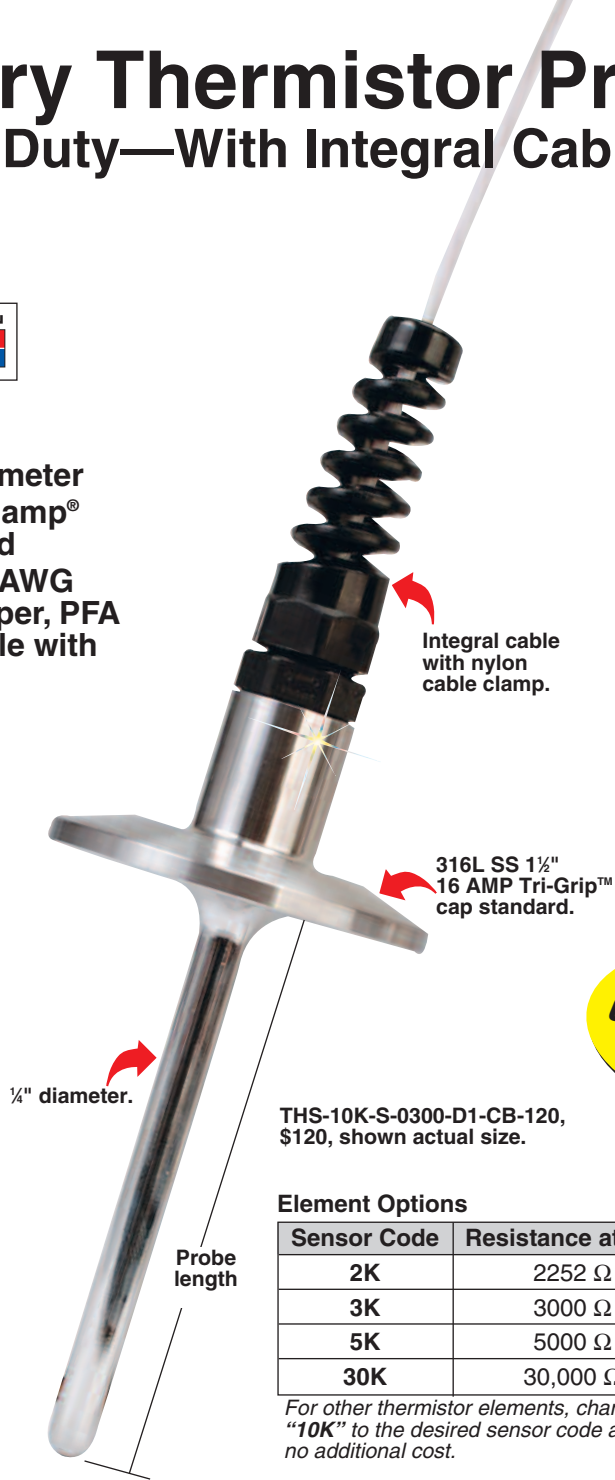


- ✓ Standard Duty ¼" Probe Diameter
- ✓ 1½" 16 AMP Tri-Grip™ (Tri-Clamp® Compatible) Fitting Standard
- ✓ 3 m (10') of 2-Conductor 26 AWG Stranded Nickel Plated Copper, PFA Insulated and Jacketed Cable with Strain Relief Standard
- ✓ 316L SS Wetted Surfaces with 32 µin or Better Finish
- ✓ 10k Thermistor Element (44006) Standard
- ✓ -80 to 150°C (-112 to 302°F) Temperature Range

Options

- ✓ Fitting Styles
- ✓ Probe Lengths
- ✓ Thermistor Elements
- ✓ Cable Lengths

The OMEGA® THS-H-CB-120 Series thermistor probe assemblies are available in standard lengths from 3 to 6", with standard 10 kΩ (44006) thermistor element. Standard features include a 1½" 16 AMP Tri-Grip™ fitting and 3 m (10') of PFA insulated and jacketed cable with strain relief. Please consult sales for available options, including element types and curves, probe lengths, protection heads and sanitary fitting styles.



32 µin Finish

For Use in CIP and Sanitary Processes

THS-10K-S-0300-D1-CB-120, \$120, shown actual size.

Element Options

Sensor Code	Resistance at 25°C	Element Series
2K	2252 Ω	44004
3K	3000 Ω	44005
5K	5000 Ω	44007
30K	30,000 Ω	44008

For other thermistor elements, change the model number from "10K" to the desired sensor code as shown in the table above, no additional cost.

MOST POPULAR MODEL HIGHLIGHTED!

To Order (Specify Model Number)						
Model No.	Price	Resistance at 25°C	Element Series	Interchangeability (0 to 70°C)	Sheath Diameter	Probe Length
THS-10K-S-0300-D1-CB-120	\$120	10,000 Ω	44006	±0.2°C	¼"	3"
THS-10K-S-0400-D1-CB-120	120	10,000 Ω	44006	±0.2°C	¼"	4"
THS-10K-S-0500-D1-CB-120	120	10,000 Ω	44006	±0.2°C	¼"	5"
THS-10K-S-0600-D1-CB-120	120	10,000 Ω	44006	±0.2°C	¼"	6"

For probe lengths longer than 6", change "-0600" in model number to the required length (example: 12" = "-1200", 9¼" = "-0925") and add \$1 per inch to price.

For cable lengths longer than 3 m (10'), change the "-120" in model number to the desired length in inches, and add \$1 per additional foot to price.

Ordering Examples: THS-10K-S-0400-D1-CB-120, 10,000 Ω thermistor sensor, 1½" 16 AMP Tri-Grip™ fitting, 4" length, standard duty probe, 3 m (10') PFA insulated/jacketed cable, \$120.

THS-10K-S-0400-D1-CB-144, 10,000 Ω thermistor sensor, 1½" 16 AMP Tri-Grip™ fitting, 4" length, standard duty probe, 3.6 m (144") PFA insulated/jacketed cable, \$120 + (2 x 1) = \$122.



UNITED STATES

www.omega.com
1-800-TC-OMEGA
Stamford, CT.

CANADA

www.omega.ca
Laval(Quebec)
1-800-TC-OMEGA

GERMANY

www.omega.de
Deckenpfronn, Germany
0800-8266342

UNITED KINGDOM

www.omega.co.uk
Manchester, England
0800-488-488

FRANCE

www.omega.fr
Guyancourt, France
088-466-342

CZECH REPUBLIC

www.omegaeng.cz
Karviná, Czech Republic
596-311-899

BENELUX

www.omega.nl
Amstelveen, NL
0800-099-33-44



More than 100,000 Products Available!

• Temperature

Calibrators, Connectors, General Test and Measurement Instruments, Glass Bulb Thermometers, Handheld Instruments for Temperature Measurement, Ice Point References, Indicating Labels, Crayons, Cements and Lacquers, Infrared Temperature Measurement Instruments, Recorders Relative Humidity Measurement Instruments, RTD Probes, Elements and Assemblies, Temperature & Process Meters, Timers and Counters, Temperature and Process Controllers and Power Switching Devices, Thermistor Elements, Probes and Assemblies, Thermocouples Thermowells and Head and Well Assemblies, Transmitters, Wire

• Flow and Level

Air Velocity Indicators, Doppler Flowmeters, Level Measurement, Magnetic Flowmeters, Mass Flowmeters, Pitot Tubes, Pumps, Rotameters, Turbine and Paddle Wheel Flowmeters, Ultrasonic Flowmeters, Valves, Variable Area Flowmeters, Vortex Shedding Flowmeters

• pH and Conductivity

Conductivity Instrumentation, Dissolved Oxygen Instrumentation, Environmental Instrumentation, pH Electrodes and Instruments, Water and Soil Analysis Instrumentation

• Data Acquisition

Auto-Dialers and Alarm Monitoring Systems, Communication Products and Converters, Data Acquisition and Analysis Software, Data Loggers Plug-in Cards, Signal Conditioners, USB, RS232, RS485 and Parallel Port Data Acquisition Systems, Wireless Transmitters and Receivers

• Pressure, Strain and Force

Displacement Transducers, Dynamic Measurement Force Sensors, Instrumentation for Pressure and Strain Measurements, Load Cells, Pressure Gauges, Pressure Reference Section, Pressure Switches, Pressure Transducers, Proximity Transducers, Regulators, Strain Gages, Torque Transducers, Valves

• Heaters

Band Heaters, Cartridge Heaters, Circulation Heaters, Comfort Heaters, Controllers, Meters and Switching Devices, Flexible Heaters, General Test and Measurement Instruments, Heater Hook-up Wire, Heating Cable Systems, Immersion Heaters, Process Air and Duct, Heaters, Radiant Heaters, Strip Heaters, Tubular Heaters