

Universal Snap-In Panel Jacks

Works with ALL **Miniature** and **Standard** Male Connectors

Type UPJ Glass-Filled Nylon
Rated -29 to 220°C (-20 to 425°F)

New Industry Standard!
Two Connectors in One!



Fits All

Most Popular



SPJ-CAP, extra supply of dust caps, \$6.00/pkg of 12



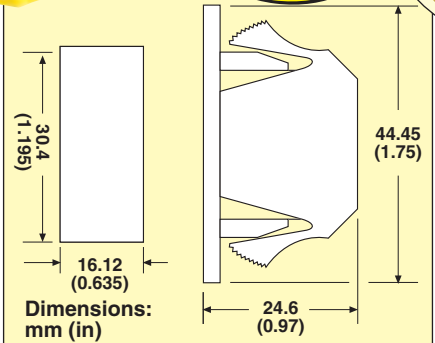
Miniature Connector

Standard connector

For miniature panel jacks and aluminum panels please see next page for details.

Panel punches available, visit omega.com/panelpunches

- Heavy Duty
- No Special Mounting Hardware Required
- No Installation Tools Needed
- Interlocking Design
- Combination Phillips/Slot Screws
- Color-Coded
- Numbered, Reusable
- Accepts Stranded or Solid Wire up to Size 14 AWG
- Wire Divider



For additional universal connectors, see page G-21.

Discount Schedule	
1-10	Net
11-49	.5%
50-99	10%
100-999	15%
1000-4999	20%
5000 and over	25%

MOST POPULAR MODELS HIGHLIGHTED!



Removal Tool SIRT-1, \$15

For the large volume user who requires the ability to quickly remove installed connectors, the SIRT-1 removal tool is invaluable. Operating easily even in densely packed panels, the tool compresses all spring clips together, allowing the UPJ to be pushed out of the panel from the rear.

We make running changes when technical advances allow. Check at time of ordering for additional features.

To Order (Specify Model Number)

Alloy Code†	Type of Thermocouple Used With Connector	Compensating Alloy Used in Connector		Shell Color	Model Number (Female)	Price of Jack
		+	-			
K	CHROMEALLOY®-ALOMEGA®	CHROMEALLOY®	ALOMEGA®	Yellow	UPJ-K-F	\$4.25
T	Copper-Constantan	Copper	Constantan	Blue	UPJ-T-F	4.25
J	Iron-Constantan	Iron	Constantan	Black	UPJ-J-F	4.25
E	CHROMEALLOY®-Constantan	CHROMEALLOY®	Constantan	Purple	UPJ-E-F	4.25
R/S	Pt/13% Rh-Pt	Copper	RNX/SNX	Green	UPJ-R/S-F	4.25
U	Uncompensated	Copper	Copper	White	UPJ-U-F	4.25
N	OMEGALLOY®	OMEGA-P®	OMEGA-N®	Orange	UPJ-N-F	6.25

OMEGALLOY® is generically known as Nicrosil-Nisil.
† K, T, J, E, R, S and B are ANSI designations. ANSI color models shown.
Note: Type U (Uncompensated) connectors are used with Type B thermocouples, (Pt/6%Rh-Pt/30%Rh)
Ordering Example: UPJ-K-F, Type K universal panel jack for use with CHROMEALLOY®-ALOMEGA® female connector, \$4.25.



UNITED STATES

www.omega.com
1-800-TC-OMEGA
Stamford, CT.

CANADA

www.omega.ca
Laval(Quebec)
1-800-TC-OMEGA

GERMANY

www.omega.de
Deckenpfronn, Germany
0800-8266342

UNITED KINGDOM

www.omega.co.uk
Manchester, England
0800-488-488

FRANCE

www.omega.fr
Guyancourt, France
088-466-342

CZECH REPUBLIC

www.omegaeng.cz
Karviná, Czech Republic
596-311-899

BENELUX

www.omega.nl
Amstelveen, NL
0800-099-33-44



More than 100,000 Products Available!

• Temperature

Calibrators, Connectors, General Test and Measurement Instruments, Glass Bulb Thermometers, Handheld Instruments for Temperature Measurement, Ice Point References, Indicating Labels, Crayons, Cements and Lacquers, Infrared Temperature Measurement Instruments, Recorders Relative Humidity Measurement Instruments, RTD Probes, Elements and Assemblies, Temperature & Process Meters, Timers and Counters, Temperature and Process Controllers and Power Switching Devices, Thermistor Elements, Probes and Assemblies, Thermocouples Thermowells and Head and Well Assemblies, Transmitters, Wire

• Flow and Level

Air Velocity Indicators, Doppler Flowmeters, Level Measurement, Magnetic Flowmeters, Mass Flowmeters, Pitot Tubes, Pumps, Rotameters, Turbine and Paddle Wheel Flowmeters, Ultrasonic Flowmeters, Valves, Variable Area Flowmeters, Vortex Shedding Flowmeters

• pH and Conductivity

Conductivity Instrumentation, Dissolved Oxygen Instrumentation, Environmental Instrumentation, pH Electrodes and Instruments, Water and Soil Analysis Instrumentation

• Data Acquisition

Auto-Dialers and Alarm Monitoring Systems, Communication Products and Converters, Data Acquisition and Analysis Software, Data Loggers Plug-in Cards, Signal Conditioners, USB, RS232, RS485 and Parallel Port Data Acquisition Systems, Wireless Transmitters and Receivers

• Pressure, Strain and Force

Displacement Transducers, Dynamic Measurement Force Sensors, Instrumentation for Pressure and Strain Measurements, Load Cells, Pressure Gauges, Pressure Reference Section, Pressure Switches, Pressure Transducers, Proximity Transducers, Regulators, Strain Gages, Torque Transducers, Valves

• Heaters

Band Heaters, Cartridge Heaters, Circulation Heaters, Comfort Heaters, Controllers, Meters and Switching Devices, Flexible Heaters, General Test and Measurement Instruments, Heater Hook-up Wire, Heating Cable Systems, Immersion Heaters, Process Air and Duct, Heaters, Radiant Heaters, Strip Heaters, Tubular Heaters