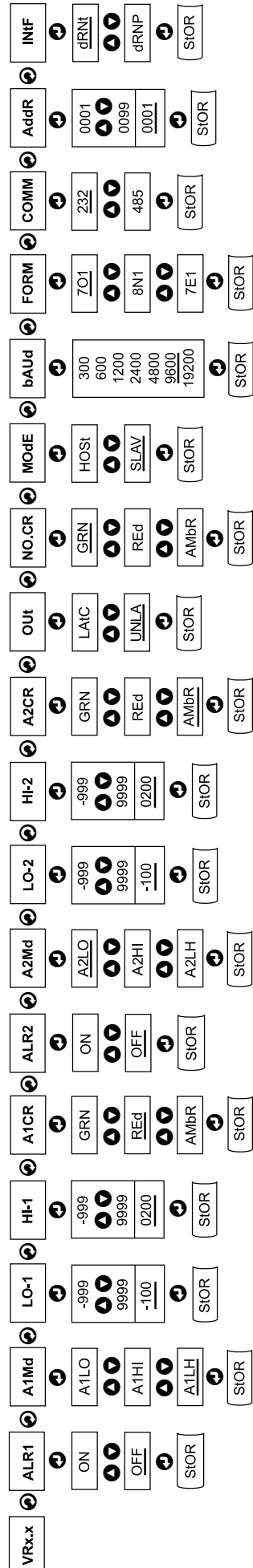


Below is a flowchart showing how to navigate through all menus by pressing front buttons.



DISPLAY ABBREVIATIONS

<b>ALR1</b>	Alarm 1 Status		
<b>OFF</b>	Alarm 1 set Off	<b>ON</b>	Alarm 1 set On
<b>A1Md</b>	Alarm 1 Mode		
<b>A1LO</b>	Alarm 1 Low	<b>A1HI</b>	Alarm 1 High
<b>A1LH</b>	Alarm 1 Low/High		
<b>LO-1</b>	Alarm 1 Low	<b>-999..</b>	Alarm 1 Low Value
		<b>..9999</b>	
<b>HI-1</b>	Alarm 1 High	<b>-999..</b>	Alarm 1 High Value
		<b>..9999</b>	
<b>A1CR</b>	Display color when Alarm 1 triggered		
<b>GRN</b>	Green Color	<b>REd</b>	Red Color
<b>AMbR</b>	Amber Color		
<b>ALR2</b>	Alarm 2 Status		
<b>OFF</b>	Alarm 2 set Off	<b>ON</b>	Alarm 2 set On
<b>A2Md</b>	Alarm 2 Mode		
<b>A2LO</b>	Alarm 2 Low	<b>A2HI</b>	Alarm 2 High
<b>A2LH</b>	Alarm 2 Low/High		
<b>LO-2</b>	Alarm 2 Low	<b>-999..</b>	Alarm 2 Low Value
		<b>..9999</b>	
<b>HI-2</b>	Alarm 2 High	<b>-999..</b>	Alarm 2 High Value
		<b>..9999</b>	
<b>A2CR</b>	Display color when Alarm 2 triggered		
<b>GRN</b>	Green Color	<b>REd</b>	Red Color
<b>AMbR</b>	Amber Color		
<b>Out</b>	Alarm Latched/Unlatched selection		
<b>LAtC</b>	Latched	<b>UNLA</b>	Unlatched
<b>NO.CR</b>	Display Color in Normal condition		
<b>GRN</b>	Green Color	<b>REd</b>	Red Color
<b>AMbR</b>	Amber Color		
<b>MOdE</b>	Data Flow Mode		
<b>HOSt</b>	Host Mode	<b>SLAV</b>	Slave Mode
<b>bAUd</b>	Baud Rate	<b>300..</b>	Baud Rate Value
		<b>..19200</b>	
<b>FORM</b>	Data Format		
<b>7O1</b>	7 Bit, Odd, 1 Stop Bit	<b>7E1</b>	7 Bit, Even, 1 Stop Bit
<b>8N1</b>	8 Bit, No parity, 1 Stop Bit		
<b>COMM</b>	Communication Standard		
<b>232</b>	RS-232 Standard	<b>485</b>	RS-485 Standard
<b>AddR</b>	Device Address	<b>0000..</b>	Address Value
		<b>..0099</b>	
<b>INtF</b>	Interface Device		
<b>dRnT</b>	DRN with Temperature Input	<b>dRNp</b>	DRN with Process Input
<b>Miscellaneous:</b>			
<b>PEAK</b>	Peak Value	<b>VALL</b>	Valley Value
<b>PROC</b>	Process Value	<b>RUN</b>	Run Mode
<b>OVLd</b>	Input Overload	<b>StOR</b>	Stored Message

Note

1. In **Slave Mode** the Big Display will wait for commands and data from the Serial Bus.
2. In **Host Mode** the Big Display will send data automatically and continuously into the Serial Bus.
3. When used in **RS-485 Mode**, the device must be accessed with an appropriate **Address Value**.
4. **Latched Mode**: Alarm remains latched until reset. To reset already latched alarm select any menu items and then press "up" or "down" button.

SPECIFICATION

**Temperature Stability:**  
50 ppm/°C

**Display:**  
6-digit, 7-segment LED,  
101.6mm (4.00") with red, green  
and amber programmable colors.

**Alarm:**  
Alarm 1 & 2 programmable,  
Latch/Unlatch, High, Low,  
High/Low

**SERIAL INTERFACE**

**Communication Standard:**  
RS-485, RS-422 or RS-232

**Transfer speed (Baud rate):**  
300, 600, 1200, 2400, 4800,  
9600, 19200 bps

**Data Format:**  
7O1-7 bit, Odd, 1 stop bit,  
7E1- 7 bit, even, 1 stop bit  
8N1 – 8 bit, No parity, 1 stop bit

**Multi-Point Address (RS-485):**  
0 to 199

**Flow Control:**  
No Flow control

**Screw terminals for RS-232/485/422 interface**

**Power Supply:**  
100-240 Vac ±10%,  
50/60 Hz, 22.5 W

**Operating Temperature:**  
0 to 40°C

**Storage Temperature:**  
-20 to 60°C

**Relative Humidity:**  
0 to 85%

**Protection:**  
NEMA-4x (IP65)

**Dimensions:**  
641.6 L x 210.8 W x 95.4 D mm  
(25.26" x 8.31" x 3.76")

**Panel Cutout:**  
596.9 L x 179.4 W mm  
(23.50" L x 7.06" W)

**Weight:**  
3,175 g (7.0 lbs)

**Approvals:**  
CE per EN61010-1:2001

**WARNING:** These products are not designed for use in, and should not be used for, patient-connected applications.

This device is marked with the international caution symbol. It is important to read the Setup Guide before installing or commissioning this device, as the guide contains important information relating to safety and EMC.

It is the policy of OMEGA to comply with all worldwide safety and EMC/EMI regulations that apply. OMEGA is constantly pursuing certification of its products to the European New Approach Directives. OMEGA will add the CE mark to every appropriate device upon certification.

The information contained in this document is believed to be correct, but OMEGA Engineering, Inc. accepts no liability for any errors it contains, and reserves the right to alter specifications without notice.

**TRADEMARK NOTICE:**  
Ω, *omega.com*, Ω OMEGA, and Ω are Trademarks of OMEGA ENGINEERING, INC.

**WARRANTY/DISCLAIMER**

OMEGA ENGINEERING, INC. warrants this unit to be free of defects in materials and workmanship for a period of **one (1) year** from the date of purchase. In addition to OMEGA's standard warranty period, OMEGA Engineering will extend the warranty period for **four (4) additional years** if the warranty card enclosed with each instrument is returned to OMEGA.

If the unit malfunctions, it must be returned to the factory for evaluation. OMEGA's Customer Service Department will issue an Authorized Return (AR) number immediately upon phone or written request. Upon examination by OMEGA, if the unit is found to be defective, it will be repaired or replaced at no charge. OMEGA's WARRANTY does not apply to defects resulting from any action of the purchaser, including but not limited to mishandling, improper interfacing, operation outside of design limits, improper repair, or unauthorized modification. This WARRANTY is VOID if the unit shows evidence of having been tampered with or shows evidence of having been damaged as a result of excessive corrosion, or current, heat, moisture or vibration; improper specification; misapplication; misuse or other operating conditions outside of OMEGA's control. Components which wear are not warranted, including but not limited to contact points, fuses, and triacs.

OMEGA is pleased to offer suggestions on the use of its various products. However, OMEGA neither assumes responsibility for any omissions or errors nor assumes liability for any damages that result from the use of its products in accordance with information provided by OMEGA, either verbal or written. OMEGA warrants only that the parts manufactured by it will be as specified and free of defects. OMEGA MAKES NO OTHER WARRANTIES OR REPRESENTATIONS OF ANY KIND WHATSOEVER, EXPRESS OR IMPLIED, EXCEPT THAT OF TITLE, AND ALL IMPLIED WARRANTIES INCLUDING ANY WARRANTY OF MERCHANTABILITY AND FITNESS FOR A PARTICULAR PURPOSE ARE HEREBY DISCLAIMED. LIMITATION OF LIABILITY: The remedies of purchaser set forth herein are exclusive, and the total liability of OMEGA with respect to this order, whether based on contract, warranty, negligence, indemnification, strict liability or otherwise, shall not exceed the purchase price of the component upon which liability is based. In no event shall OMEGA be liable for consequential, incidental or special damages.

CONDITIONS: Equipment sold by OMEGA is not intended to be used, nor shall it be used: (1) as a "Basic Component" under 10 CFR 21 (NRC), used in or with any nuclear installation or activity, or (2) in medical applications or used on humans. Should any Product(s) be used in or with any nuclear installation or activity, medical application, used on humans, or misused in any way, OMEGA assumes no responsibility as set forth in our basic WARRANTY/DISCLAIMER language, and, additionally, purchaser will indemnify OMEGA and hold OMEGA harmless from any liability or damage whatsoever arising out of the use of the Product(s) in such a manner.

**RETURN REQUESTS/INQUIRIES**

Direct all warranty and repair requests/inquiries to the OMEGA Customer Service Department. BEFORE RETURNING ANY PRODUCT(S) TO OMEGA, PURCHASER MUST OBTAIN AN AUTHORIZED RETURN (AR) NUMBER FROM OMEGA'S CUSTOMER SERVICE DEPARTMENT (IN ORDER TO AVOID PROCESSING DELAYS). The assigned AR number should then be marked on the outside of the return package and on any correspondence.

The purchaser is responsible for shipping charges, freight, insurance and proper packaging to prevent breakage in transit.

**FOR WARRANTY RETURNS**, please have the following information available BEFORE contacting OMEGA:

1. Purchase Order number under which the product was PURCHASED,
2. Model and serial number of the product under warranty, and
3. Repair instructions and/or specific problems relative to the product.

**FOR NON-WARRANTY REPAIRS**, consult OMEGA for current repair charges. Have the following information available BEFORE contacting OMEGA:

1. Purchase Order number to cover the COST of the repair,
2. Model and serial number of product, and
3. Repair instructions and/or specific problems relative to the product.

OMEGA's policy is to make running changes, not model changes, whenever an improvement is possible. This affords our customers the latest in technology and engineering.

© Copyright 2005 OMEGA ENGINEERING, INC. All rights reserved. This document may not be copied, photocopied, reproduced, translated, or reduced to any electronic medium or machine-readable form, in whole or in part, without the prior written consent of OMEGA ENGINEERING, INC.

**PATENT AND TRADEMARK NOTICE:** This product is covered by one or more of the following patents: U.S. Pat. No. Des. 336,895; 5,274,577; 6,243,021/ CANADA 2052599; 2052600/ ITALY 1249456; 1250938/ GERMANY DE 41 34398 C2/ SPAIN 2039150; 2048066/ UK Patent No. GB2 249 837; GB2 248 954/ FRANCE BREVET NO. 91 12756. Other U.S. and International Patents pending or applied for.

OPERATION MANUAL



**iLD46-C2**  
**Series** Big Remote Display  
with RS-232 Input



**OMEGAnet® On-Line Service** [www.omega.com](http://www.omega.com)  
**Internet e-mail** [info@omega.com](mailto:info@omega.com)

**Servicing North America:**

**USA:** One Omega Drive, P.O. Box 4047  
Stamford CT 06907-0047  
TEL: (203) 359-1660 FAX: (203) 359-7700  
ISO 9001 Certified e-mail: [info@omega.com](mailto:info@omega.com)

**Canada:** 976 Berger  
Laval (Quebec) H7L 5A1  
TEL: (514) 856-6928 FAX: (514) 856-6886  
e-mail: [info@omega.ca](mailto:info@omega.ca)

**For immediate technical or application assistance:**

**USA and Canada:** Sales Service: 1-800-826-6342 / 1-800-TC-OMEGA®  
Customer Service: 1-800-622-2378 / 1-800-622-BEST®  
Engineering Service: 1-800-872-9436 / 1-800-USA-WHEN®

**Mexico and Latin American:** TEL: (001)800-TC-OMEGA® FAX: (001) 203-359-7807  
En Español: (001) 203-359-7803  
e-mail: [espanol@omega.com](mailto:espanol@omega.com)

**Servicing Europe:**

**Benelux:** Postbus 8034, 1180 LA Amstelveen, The Netherlands  
TEL: +31 20 3472121 FAX: +31 20 6434643  
Toll Free in Benelux: 0800 0993344  
e-mail: [sales@omegaeng.nl](mailto:sales@omegaeng.nl)

**Czech Republic:** Frystatska 184, 733 01 Karviná  
TEL: +420 59 6311899 FAX: +420 59 6311114  
e-mail: [info@omegashop.cz](mailto:info@omegashop.cz)

**France:** 11, rue Jacques Cartier, 78280 Guyancourt  
TEL: +33 1 61 37 29 00 FAX: +33 1 30 57 54 27  
Toll Free in France: 0800 466 342  
e-mail: [sales@omega.fr](mailto:sales@omega.fr)

**Germany/Austria:** Daimlerstrasse 26, D-75392 Deckenpfronn, Germany  
TEL: +49 7056 9398-0 FAX: +49 7056 9398-29  
Toll Free in Germany: 0800 639 7678  
e-mail: [info@omega.de](mailto:info@omega.de)

**United Kingdom:** One Omega Drive  
River Bend Technology Centre  
Northbank, Irlam Manchester M44 5BD United Kingdom  
TEL: +44 161 777 6611 FAX: +44 161 777 6622  
Toll Free in England: 0800 488 488  
e-mail: [sales@omega.co.uk](mailto:sales@omega.co.uk)  
ISO 9002 Certified

**DESCRIPTION:**

The iLD46 is a 6-digit master/slave display providing remote readout from instruments such as programmable controllers, digital panel meters and other instruments with serial output. Communication interfaces supported are RS-232 or RS-485 standards. Both RS-232 or RS-485 are programmable through front panel buttons.

The Big Display features a large three color programmable display with the capability to change color every time an Alarm is triggered.

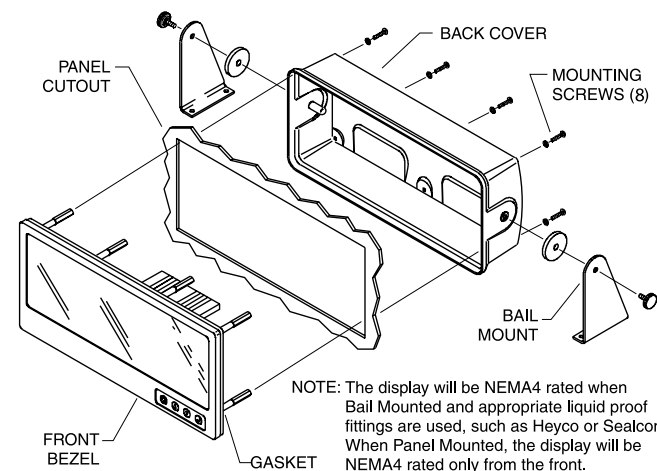
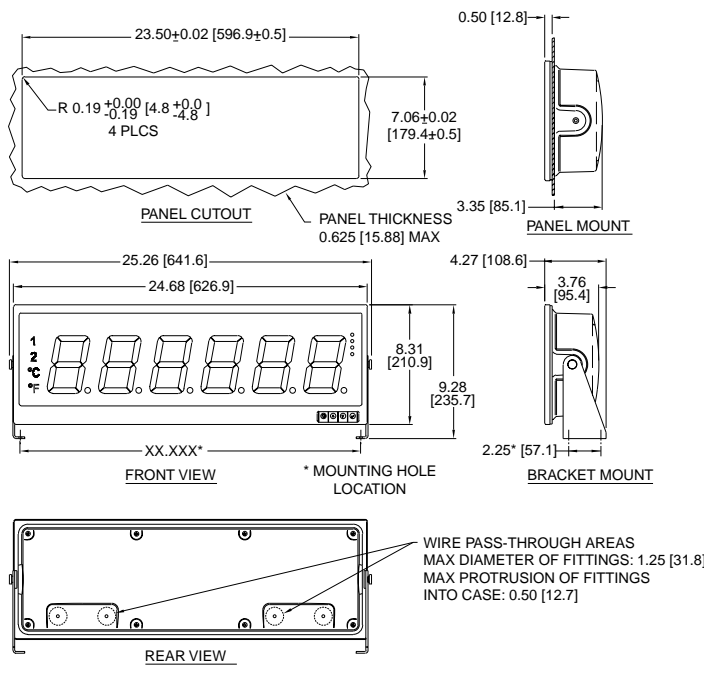
**SAFETY:**

- The instrument is a panel mount device protected in accordance with EN61010-1:2001.

**EMC:**

- Whenever EMC is an issue, always use shielded cables.
- Never run signal and power wires in the same conduit.
- Use signal wire connections with twisted-pair cables.
- Install Ferrite Bead(s) on signal wire close to the instrument if EMC problems persist.

**MOUNTING**



**Mounting Big Display Through Panel:**

- Using the panel cutout diagram shown above, cut an opening in the panel.
- Remove eight screws at the back of Big Display to remove back cover.
- Insert the unit into the opening from the front of the panel, so the gasket seals between the bezel and the front of the panel.
- Align back cover to Big Display and reinstall screws.

**Mounting Big Display on Bail:**

- Mark the location of mounting screws on the flat surface.
- Be sure to leave enough room around the bail to allow for removal and rotation of the display.
- The display can be rotated for the best viewing angle.

**Disassembly Instruction:**

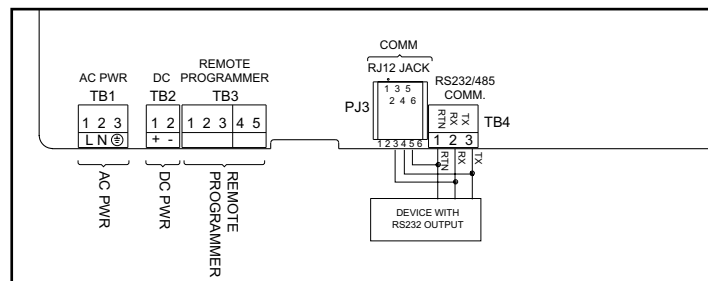
**Warning: Disconnect all ac power from the unit before proceeding.**

- Remove all wiring connections from the rear of the instrument, by unscrewing the power and input connectors.
- Remove eight screws at the back of the display and back cover.
- Remove the Big Display from the panel.
- To remove the Big Display from the bail, unscrew the two knobs at each end of the mounting brackets.

**WIRING**

**1. Wiring RS-232 Interface.**

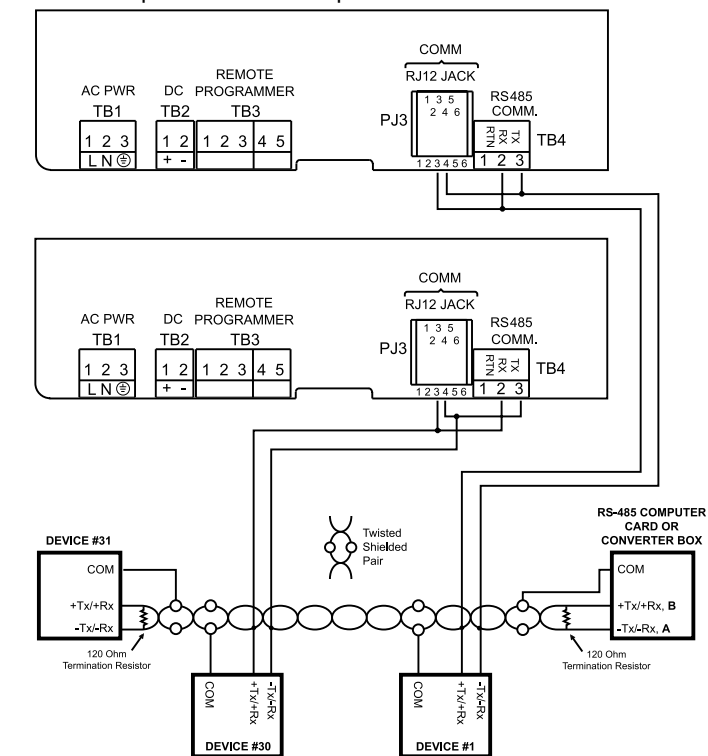
The RS-232 standard (point-to-point) allows a single device to be connected to the Big Display using a three-wire connection (full duplex).



Device with RS-232 Pin Function	Large Remote Display	
	RJ-12	Screw Terminal
Receive (Rx)	4 (Tx)	3 (Tx)
Transmit (Tx)	3 (Rx)	2 (Rx)
Common Ground (COM)	5	1

**2. Wiring RS-485 Interface.**

The RS-485 standard (multipoint) allows a computer, one or more devices and Big Displays (up to 32) to be connected using a two-wire connection (half-duplex) plus a common wire to connect to the shield of the cable. It is recommended to use shielded cable with one twisted pair for EMI noise protection.

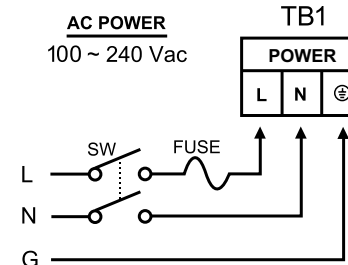


Connections to the computer are optional.

Computer Card or Converter Box Pin Function	Device with RS-485 Pin Function	Remote Display	
		RJ-12	Screw Terminal
A, -Tx/-Rx	-Tx/-Rx	4	3
B, +Tx/+Rx	+Tx/+Rx	3	2
COM	COM		1

**3. Power Connection.**

Connect the main power connections as shown in the figure below.



**OPERATIONS**

**1. Peak Value (Display in Host Mode)**

Press **▲** to request "Peak" value:

- RS-232 Mode, will send: \*X02 (Interface DRNT), or \*X03 (Interface DRNP)
- RS-485 Mode, will send: \*01X02 (Interface DRNT), or \*01X03 (Interface DRNP)

Note: In the examples for RS-485 it is assumed that the device address is 01.

**2. Valley Value (Display on Host Mode)**

Press **▲** to request "Valley" value.

- RS-232 Mode, will send: \*X03 (Interface DRNT), or \*X04 (Interface DRNP)
- RS-485 Mode, will send: \*01X03 (Interface DRNT), or \*01X04 (Interface DRNP)

**3. Process Value (Display on Host Mode)**

Press **▲** to request "Process" Value.

- RS-232 Mode, will send: \*X01
- RS-485 Mode, will send: \*01X01

**4. Write alphanumeric characters to the Big Display from the computer (Display in Slave Mode)**

- Single Big Display: (RS232) write 6 characters, then CR (carriage return)
- Multiple Big Display: (RS485) write \*, device address (2 digit), CR, 6 characters, then CR

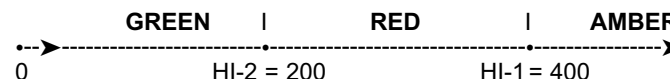
**5. Display Color Setup (Alarm Setup)**

This menu allows the user to select the color of the display in normal conditions and when alarm is triggered. If user wants the Display to change color every time when both Alarm 1 and Alarm 2 are triggered, the Alarm values should be set in such a way that Alarm 1 is always on the top of Alarm 2 value, otherwise value of the Alarm 1 will overwrite value of Alarm 2 and Display color would not change when Alarm 2 is triggered.

**Example 1:**

Alarm 1 setup: "ON", Alarm Mode High "A1HI", Alarm High Value "HI-1"=400, Alarm Color "A1CR"=Amber  
 Alarm 2 setup: "ON", Alarm Mode High "A2HI", Alarm High Value "HI-2"=200, Alarm Color "A2CR"=Red  
 Normal Color: "NO.CR"=Green

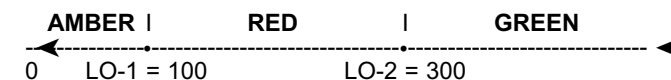
Display colors change sequences:



**Example 2:**

Alarm 1 setup: "ON", Alarm Mode Low "A1LO", Alarm Low Value "LO-1"=100, Alarm Color "A1CR"=Amber  
 Alarm 2 setup: "ON", Alarm Mode LO "A2LO", Alarm High Value "LO-2"=300, Alarm Color "A2CR"=Red  
 Normal Color: "NO.CR"=Green

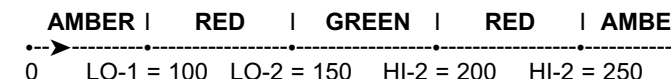
Display colors change sequences:



**Example 3:**

Alarm 1 setup: "ON", Alarm Mode Low/High "A1LH", Alarm Low Value "LO-1"=100, Alarm High Value "HI-1"=250, Alarm Color "A1CR"=Amber  
 Alarm 2 setup: "ON", Alarm Mode Low/High "A2LH", Alarm Low Value "LO-2"=150, Alarm High value "HI-2"=200, Alarm Color "A2CR"=Red  
 Normal Color: "NO.CR"=Green

Display colors change sequences:



**CONFIGURATION**

Button Functions in Configuration Mode

<b>⌂ (MENU)</b>	<ul style="list-style-type: none"> <li>To enter the Menu, the user must first press <b>⌂</b> button.</li> <li>Use this button to advance/navigate to the next menu item. The user can navigate through all the top level menus by pressing <b>⌂</b>.</li> <li>While a parameter is being modified, press <b>⌂</b> to escape without saving the parameter.</li> </ul>
<b>▲ (UP)</b>	<ul style="list-style-type: none"> <li>Press the up <b>▲</b> button to scroll through submenu selections. When a numerical value is displayed press this key to increase value of a parameter that is currently being modified.</li> <li>In the Run Mode pressing <b>▲</b> causes the display to flash the PEAK value several times before returning to the Run Mode.</li> <li>In the top menu press <b>▲</b> causes the display to return to the Run Mode.</li> </ul>
<b>▼ (DOWN)</b>	<ul style="list-style-type: none"> <li>Press the down <b>▼</b> button to scroll through submenu selections. When a numerical value is displayed press this key to decrease value of a parameter that is currently being modified.</li> <li>In the Run Mode press <b>▼</b> causes the display to flash the Valley value several times before returning to the Run Mode.</li> <li>In the top menu press <b>▼</b> causes the display to return to the Run Mode.</li> </ul>
<b>⏎ (ENTER)</b>	<ul style="list-style-type: none"> <li>Press this button to access the submenus from a Top Level Menu item.</li> <li>Press this button to store a submenu selection or after entering a value – the display will flash a <b>SE-OR</b> message to confirm your selection.</li> </ul>

Note: x, w, z, and some punctuations are non-printable characters.