

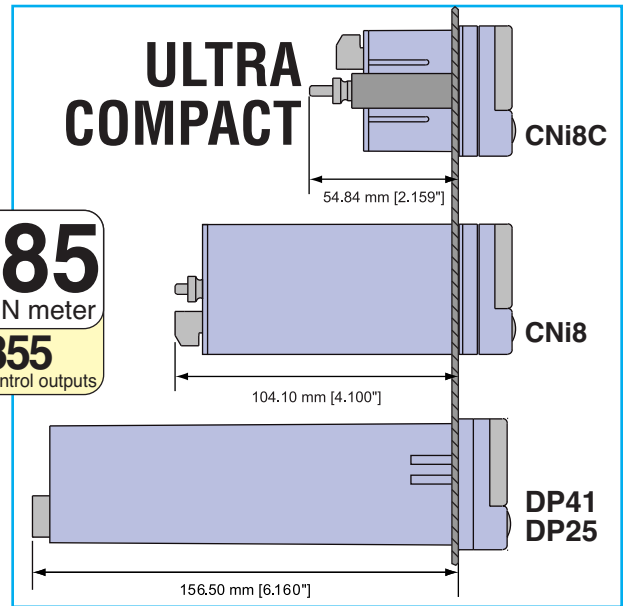


1/8 DIN Ultra Compact Case Temperature, Process & Strain Meters & PID Controllers



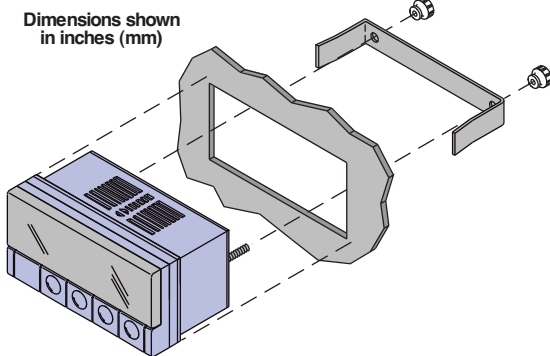
- ✓ Ultra Compact 1/8 DIN Meter and Controller
- ✓ Built-in Excitation
- ✓ NEMA 4 (IP65) Bezel
- ✓ RS-232, RS 422/485 or Modbus Communication, Menu Selectable

The Ultra Compact DPI8C/CNi8C and DPI8C/CNi8C Meters and Controllers are similar to the full size i8 in an Ultra Compact enclosure. Only 2 inches behind the panel.

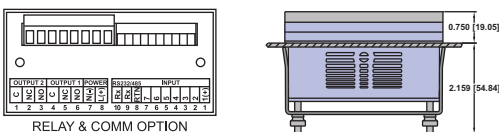
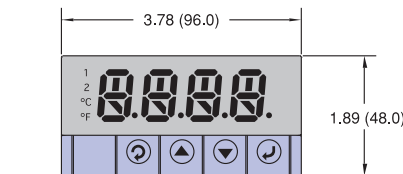
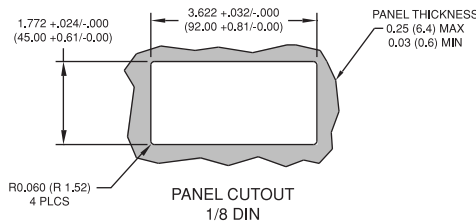


\$285
1/8 DIN meter

\$355
with 2 control outputs



Dimensions shown in inches (mm)



To Order (*Specify Model No.)

Model Number	Description	Price
DPI8C	Temperature/Process (Monitor only) 1/8 DIN Compact Case	\$285
DPI8C	Strain/Process (Monitor only) 1/8 DIN Compact Case	\$345
CONTROL OUTPUTS #1 & 2 Direct (Cool) or Reverse (Heat) Acting		
CNi8C (*) (*)	Temperature/Process with 2 Control Outputs Compact Case	\$355
CNi8C (*) (*)	Strain/Process with 2 Control Outputs Compact Case	\$415
2 2	Two solid state relays (SSR's): 0.5 A @ 120/240 Vac continuous	N/C
2 3	SSR and relay: Form "C" SPDT 3 A @ 120 Vac, 3 A @ 240 Vac	
2 4	SSR and pulsed 10 Vdc @ 20 mA (for use with external SSR)	
3 3	2 Relays: Form "C" SPDT 3 A @ 120 Vac, 3 A @ 240 Vac	
4 2	Pulsed 10 Vdc @ 20 mA (for use with external SSR) and SSR	
4 3	Pulsed 10 Vdc @ 20 mA (for use with external SSR) and relay: Form "C" SPDT 3 A @ 120 Vac, 3 A @ 240 Vac	
4 4	Two pulsed 10 Vdc @ 20 mA (for use with external SSR)	
5 2	Analog Output selectable as either control or retransmission of process value; 0 to 10 Vdc or 0-20 mA @ 500 ohm max. and SSR	
5 3	Analog Output 0 to 10 Vdc or 0-20 mA @ 500 ohm max. and Relay	N/C
5 4	Analog Output 0 to 10 Vdc or 0-20 mA @ 500 ohm max. and Pulse 10 Vdc	
	-AL Limit Alarm Version (Alarm Menu, PID Control) ²	
	-SM Simplified Menu Version (ON/OFF Control, No PID) ³	

NETWORK OPTIONS		Price
-C24	Isolated RS-232 and R-485/422. 300 to 19.2k Baud *1	\$60

POWER SUPPLY		Price
*	Standard power input: 90-240 Vac/dc, 50-400 Hz (no entry required)	N/C
-DC	12-36 Vdc, 24 Vac *1	\$25

FACTORY SETUP		Price
-FS	Factory Setup and Configuration	\$50

Model Number	Description	Price
EIS-2B	iServer MicroServer, serves 32 devices	\$195
EIS-W	iServer MicroServer for Serial to Ethernet applications See iServer MicroServer Products for Complete Details	\$195

SOFTWARE (Requires Network Option)		Price
OPC-SERVER LICENSE	OPC Server/Driver Software License	\$295

*1 -DC, -C24, not available with excitation.
 *2 Analog Output (Option 5) is not available with -AL units.
 *3 Strain CN/DPI8C is not available with -SM units.
ORDERING EXAMPLES: CNI8C33 is a 1/8 DIN Compact universal temperature process controller with 2 relay output *295