

1 YEAR
WARRANTY

MADE IN
USA



User's Guide

Shop online at

omega.com[®]

Ω OMEGA[®]

omega.com

e-mail: info@omega.com

For latest product manuals:

omegamanual.info

ISO 9001
CERTIFIED
CORPORATE QUALITY
STAMFORD, CT

ISO 9002
CERTIFIED
CORPORATE QUALITY
MANCHESTER, UK



A1000 and A2000 Series Converter Boxes



OMEGAnet® Online Service omega.com	Internet e-mail info@omega.com
---	---

Servicing North America:

U.S.A.: One Omega Drive, Box 4047
ISO 9001 Certified Stamford, CT 06907-0047
Tel: (203) 359-1660 FAX: (203) 359-7700
e-mail: info@omega.com

Canada: 976 Bergar
Laval (Quebec) H7L 5A1, Canada
Tel: (514) 856-6928 FAX: (514) 856-6886
e-mail: info@omega.ca

For immediate technical or application assistance:

U.S.A. and Canada: Sales Service: 1-800-826-6342 / 1-800-TC-OMEGA®
Customer Service: 1-800-622-2378 / 1-800-622-BEST®
Engineering Service: 1-800-872-9436 / 1-800-USA-WHEN®

Mexico: En Español: (001) 203-359-7803 e-mail: espanol@omega.com
FAX: (001) 203-359-7807 info@omega.com.mx

Servicing Europe:

Benelux: Postbus 8034, 1180 LA Amstelveen, The Netherlands
Tel: +31 (0)20 3472121 FAX: +31 (0)20 6434643
Toll Free in Benelux: 0800 0993344
e-mail: sales@omegaeng.nl

Czech Republic: Frystatska 184, 733 01 Karviná, Czech Republic
Tel: +420 (0)59 6311899 FAX: +420 (0)59 6311114
Toll Free: 0800-1-66342 e-mail: info@omegashop.cz

France: 11, rue Jacques Cartier, 78280 Guyancourt, France
Tel: +33 (0)1 61 37 2900 FAX: +33 (0)1 30 57 5427
Toll Free in France: 0800 466 342
e-mail: sales@omega.fr

Germany/Austria: Daimlerstrasse 26, D-75392 Deckenpfronn, Germany
Tel: +49 (0)7056 9398-0 FAX: +49 (0)7056 9398-29
Toll Free in Germany: 0800 639 7678
e-mail: info@omega.de

United Kingdom: One Omega Drive, River Bend Technology Centre
ISO 9002 Certified Northbank, Irlam, Manchester
M44 5BD United Kingdom
Tel: +44 (0)161 777 6611 FAX: +44 (0)161 777 6622
Toll Free in United Kingdom: 0800-488-488
e-mail: sales@omega.co.uk

It is the policy of OMEGA Engineering, Inc. to comply with all worldwide safety and EMC/EMI regulations that apply. OMEGA is constantly pursuing certification of its products to the European New Approach Directives. OMEGA will add the CE mark to every appropriate device upon certification.

The information contained in this document is believed to be correct, but OMEGA accepts no liability for any errors it contains, and reserves the right to alter specifications without notice.

WARNING: These products are not designed for use in, and should not be used for, human applications.

**A1000 and A2000 SERIES
CONVERTER BOXES
USERS MANUAL**

REVISED:10/27/04

**Omega Engineering
One Omega Drive
P O Box 4047
Stamford, CT 06907
Phone: 1-800-DAS-IEEE
Fax: 203-359-7990
e-mail: das@omega.com
www.omega.com**

The information in this publication has been carefully checked and is believed to be accurate; however, no responsibility is assumed for possible inaccuracies or omissions. Applications information in this manual is intended as suggestions for possible use of the products and not as explicit performance in a specific application. Specifications may be subject to change without notice.

3 A1000 & A2000 USERS MANUAL

GENERAL DESCRIPTION

The A1000 and A2000 series converter boxes convert RS-232 communications signal levels to the correct electrical signals required by RS-485. The RS-485 communications standard is recommended when many modules, or other addressable devices, must be connected to a host computer over long distances. The A1000 and A2000 converters allow communications bus lengths up to 4,000 meters and baud rates up to 115K baud using one twisted pair of wires.

The RS-485 communications standard is half-duplex, therefore data can be transmitted in only one direction at a time. The A1000 and A2000 automatically control the bus direction without external handshaking signals from the host. Therefore, host software written for RS-232 may be used without modification. RS-485 bus control is completely transparent to the user.

The A1000 and A2000 can also operate as RS-485 repeaters. Repeaters are required to extend communications bus lengths or allow more than 32 RS-485 devices to be connected to a communications bus. A repeater simply reamplifies, or boosts, existing RS-485 signals transmitted over long distances.

The A1000 converter boxes are powered by either 115Vac or 230Vac and contain an internal +24-volt 1A power supply for powering modules. The A1000 power supply is protected against overloads and short circuits. The internal power supply may be used to power accessory circuits such as relays or 4-20mA transmitters. The A2000 converter boxes operate on a wide range of power supply input voltage: +10 to +30Vdc unregulated.

SPECIFICATIONS

Max Common Mode Voltage: 1500Vrms, 1 minute duration.

NRZ asynchronous data format; 1 start bit, 7 data bits, 1 parity bit and 1 stop bit.

Baud Rates: 300, 600, 1200, 2400, 4800, 9600, 19200, 38400, 57600, 115200.

Temperature Range: Operating and Storage: -25 to +70°C Ambient.

Relative Humidity: 0 - 95% Noncondensing.

A1000 Power Specifications

Power Requirements: 115 or 230 Vac \pm 10%, 50-60 Hz.

Power Consumption: 30W Full Load.

Power Supply Output: +24Vdc @ 1A.

A2000 Power Specifications

Power Requirements: +10 to +30Vdc unregulated.

Power Consumption (@+15Vdc): Max. Current w/RS-485 output short, 100mA.

Idle Current w/LEDs off, less than 10mA.

MECHANICAL AND DIMENSIONS

Case: Impact resistant ABS.

Weight: 2.8 lbs.(A1000), 1.0 lb.(A2000).

Dimensions: 8.08"W x 2.50"H x 6.25"D (A1000).

7.06"W x 1.53"H x 5.30"D (A2000).

RS-485 Connectors: Phoenix screw terminal barrier plug (supplied).

Replace with Phoenix MSTB 2.5/4 ST 5.08 or equivalent.

Warranty: 12 months on workmanship and materials.

CONNECTIONS

The A1000 and A2000 have three connectors located on the rear panel, two RS-485 connectors and one RS-232 connector. The RS-485 connectors are 4 position screw-terminal plugs labelled RS-485 IN and RS-485 OUT. The RS-232 input connector is a female subminiature DB-9 connector labelled RS-232 IN. The functional description of each terminal is labelled directly above the connector on the rear panel. The RS-485 descriptions are all preceded by letters which correspond to the color coded wires used in standard telephone cable: (B) Black, (R) Red, (G) Green and (Y) Yellow. All DGH hardware using RS-485 contains this color coded nomenclature. Figures 1A & 1B show the rear panel connections for the A1000 & A2000.

A1000/2000 RS-232 DB-9 CONNECTOR

The A1000 and A2000 contain a female DB-9 connector normally used with modems or other Data Communications Equipment (DCE). This connector should be connected to a host computer, or controller, when converting RS-232 signals to RS-485. The Transmit, Receive and Ground signal lines are all that is required for proper RS-232-to-RS-485 operation. The remaining RS-232 flow control signals Carrier Detect (CD), Data Set Ready (DSR) and Clear to Send (CTS) are internally biased to their ACTIVE, or high, using 330 Ohm resistors connected to +10Vdc. The RS-232 connector pinout is listed below.

Pin #	Description
1	(CD) CARRIER DETECT
2	(TX) TRANSMIT DATA
3	(RX) RECEIVE DATA
4	(NC) NO CONNECTION
5	(GND) SIGNAL GROUND
6	(DSR) DATA SET READY
7	(NC) NO CONNECTION
8	(CTS) CLEAR TO SEND
9	(NC) NO CONNECTION

The RS-232 connector is left open when the A1000 or A2000 is used as an RS-485 Repeater.

The only connections normally required for proper A1000 operation are pins 2, 3 and 5 of the DB-9 connector. DB-9 to DB-25 adapters can be made using the connections below.

DB-9 Pin #	DB-25 Pin #
2	3
3	2
5	7

A1000/2000 RS-485 IN CONNECTOR

The A1000 and A2000 converters contain a four-pin screw-terminal plug labelled RS-485 IN. This connector is considered the HOST input when using the A1000 or A2000 as a RS-485 repeater. An RS-485 repeater is necessary to extend the length of an RS-485 network, or connect more than 32 RS-485 devices on an RS-485 network.

The RS-485 IN data lines should be attached to the end of an existing RS-485 network. The serial data received on the RS-485 IN data lines will be reamplified and retransmitted on to the RS-485 OUT connector data lines.

7 A1000 & A2000 USERS MANUAL

This connector is left open when the A1000 or A2000 is used as an RS-232-to-RS-485 converter.

A1000/2000 RS-485 OUT CONNECTOR

The A1000 and A2000 converters contain a four-pin screw terminal plug labelled RS-485 OUT. This connector is the RS-485 output for the A1000 and A2000 when used as either a converter or repeater.

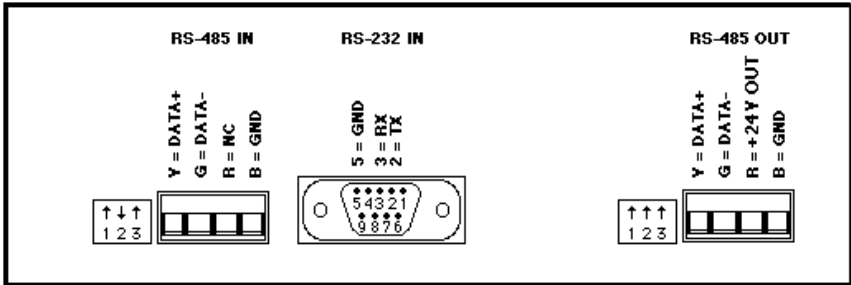


Figure 1A Connections for A1000.

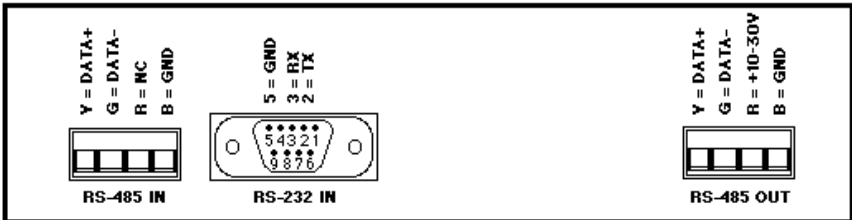


Figure 1B Connections for A2000.

BAUD RATE

The A1000 and A2000 series converters each contain a 10-position DIP switch located on the rear panel. The DIP switch is used to select the correct communications baud rate and must be set to the same value as the devices connected to the RS-485 OUT connector. Only one baud rate switch may be turned on at one time.

LEDS

The A1000 contains three status LEDs labelled FAULT, POWER and TRANSMIT located on the converter front panel. The A2000 contains two status LEDs labelled PWR and TX located on the converter rear panel. The status indicators are useful while troubleshooting suspected system faults and provide visual status indication during normal system operation.

The A2000 converter LEDs may be disabled internally. Low power applications, typically powered by batteries or solar panels, can benefit significantly by disabling the status LEDs. The A2000 power consumption may be reduced by up to 50% with the LEDs disabled. To disable the status LEDs, remove the A2000 top cover and locate the 3-pin strip on the PC board directly behind the LEDs. Lift the jumper bar from the pin strip and place it over the two pins located closest to 'LEDS OFF' written on the PC board.

The POWER (A1000) and PWR (A2000) LEDs are pilot lights that indicate adequate power supply voltage is applied to the converter.

The TRANSMIT (A1000) and TX (A2000) LEDs illuminate as data is transmitted from a host computer onto the RS-485 communications bus. The illumination intensity will vary and may become hard to detect as the baud rate increases.

The A1000 FAULT LED will illuminate if excessive current is being drawn from the internal +24Vdc one amp power supply.

RS-485 TERMINATIONS

The proper termination techniques for any RS-485 system require two biasing resistors and two termination resistors. There must be one pull-up resistor between the DATA+ line and +5Vdc on each RS-485 network. There should also be a pull-down resistor from the DATA- line to ground. These two resistors are the biasing resistors and are normally positioned at the HOST end of the cable. The RS-485 standard also requires two resistors across the data lines for proper termination. Two 220 resistors should be placed across the data lines DATA+ and DATA-. The resistors

should be placed at each end of the RS-485 cable. Please refer to Figure 2 for a typical RS-485 system application.

The A1000 and A2000 each contain the biasing and termination resistors necessary to interface any equipment on an RS-485 network. These resistors are switch-selectable making it easier to interface the A1000 and A2000 to other pieces of equipment that may or may not contain the biasing and/or termination resistors.

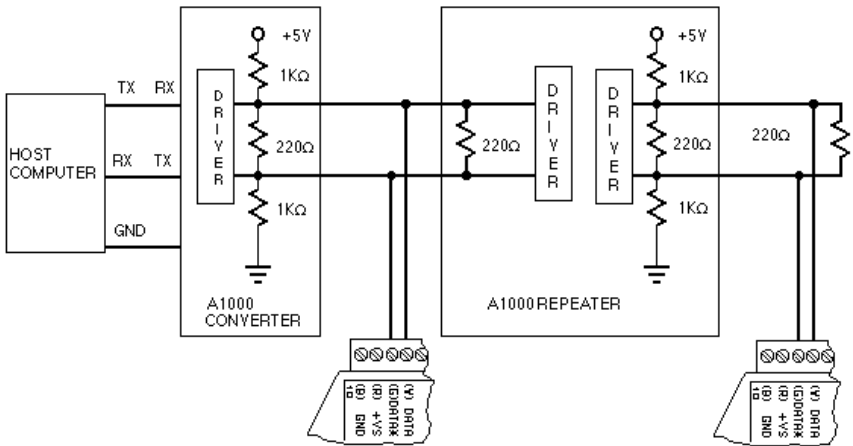


Figure 2. RS-485 biasing & termination resistors.

A1000 RS-485 TERMINATIONS

Each A1000 contains internal RS-485 termination and biasing resistors for proper termination of a RS-485 system. The resistors are enabled or disabled via two 3-position DIP switches located on the A1000 rear panel. One three-position switch enables termination resistors for the RS-485 IN (HOST) data lines and the other switch enables termination of the RS-485 OUT data lines. The three-positioned DIP switches are located to the left of each RS-485 connector on the A1000 backpanel. The three positioned switches are used to enable or disable a 1K pull-up between +5Vdc and the DATA+ line, a 1K pull-down resistor between the DATA- line and ground or a 220 termination resistor between the DATA+ and DATA- lines. Each switch is labelled +1K, -1K and 220. Set the appropriate switch to the "up" position to enable a resistor.

NOTE: The RS-485 IN +1K and -1K switches should be "up" when the A1000 is used as a RS-232/RS-485 converter.

A2000 RS-485 TERMINATIONS

Proper biasing and termination resistors in the A2000 may be enabled by using the internal jumpers contained in the A2000. Figure 3 shows the location of the jumpers on the A2000 printed circuit board. The jumpers are shown in the factory setting to enable a resistor, insert a jumper into the jack position adjacent to the resistor nomenclature written on the A2000 printed circuit board.

NOTE: The RS-485 IN +1K and -1K jumpers should be installed when the A2000 is used as a RS-232/RS-485 converter.

FACTORY RS-485 TERMINATION SETTINGS

A1000: 300 BAUD, +1K, -1K on RS-485 IN & RS-485 OUT connectors enabled, all other switches off.

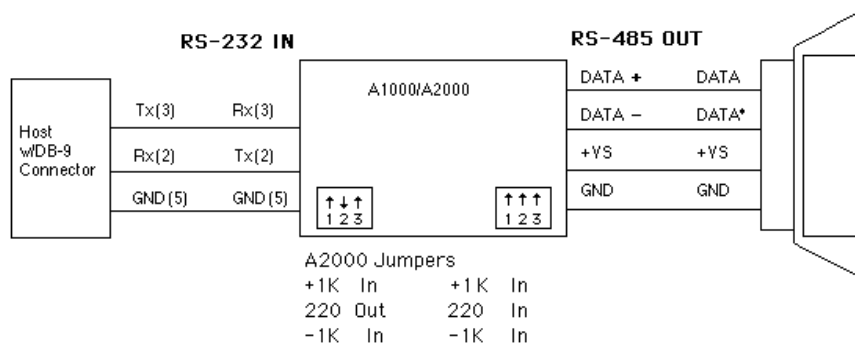
A2000: 300 BAUD, +1K, -1K, on RS-485 IN & RS-485 OUT enabled via internal jumpers, all other termination jumpers disabled.



Figure 3. A2000 jumper locations.

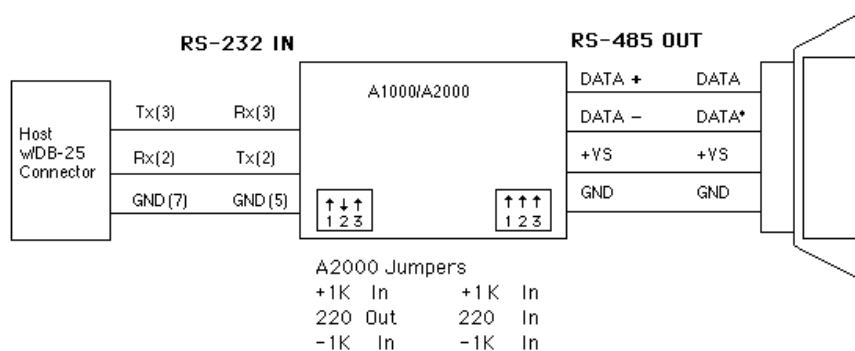
11 A1000 & A2000 USERS MANUAL

Figure 4a,b and c show simple wiring diagrams for both the A1000 and A2000 used as RS-232/RS-85 converters and RS-485 repeaters.



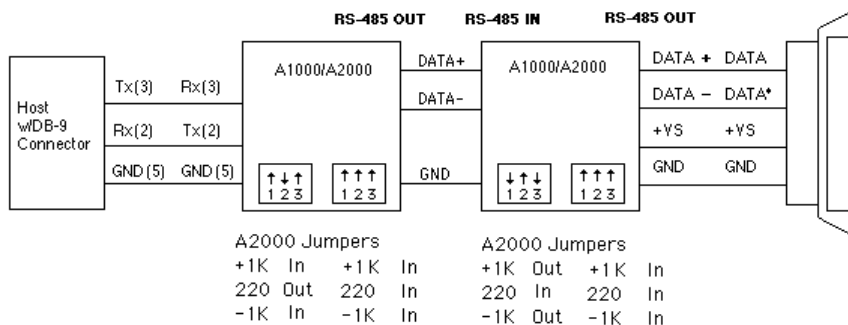
NOTE: The last module in an RS-485 string must be terminated with a 220Ω resistor between DATA and DATA* as close to the terminals as possible.

Figure 4a Wiring diagram for RS-232/RS-485 converter with host DB-9 connector.



NOTE: The last module in an RS-485 string must be terminated with a 220Ω resistor between DATA and DATA* as close to the terminals as possible.

Figure 4a Wiring diagram for RS-232/RS-485 converter with host DB-25 connector.



NOTE: The last module in an RS-485 string must be terminated with a 220 Ω resistor between DATA and DATA* as close to the terminals as possible.

Figure 4c Wiring diagram for RS-232/RS-485 converter and RS-485 repeater .



WARRANTY/DISCLAIMER

OMEGA ENGINEERING, INC. warrants this unit to be free of defects in materials and workmanship for a period of **13 months** from date of purchase. OMEGA's WARRANTY adds an additional one (1) month grace period to the normal **one (1) year product warranty** to cover handling and shipping time. This ensures that OMEGA's customers receive maximum coverage on each product.

If the unit malfunctions, it must be returned to the factory for evaluation. OMEGA's Customer Service Department will issue an Authorized Return (AR) number immediately upon phone or written request. Upon examination by OMEGA, if the unit is found to be defective, it will be repaired or replaced at no charge. OMEGA's WARRANTY does not apply to defects resulting from any action of the purchaser, including but not limited to mishandling, improper interfacing, operation outside of design limits, improper repair, or unauthorized modification. This WARRANTY is VOID if the unit shows evidence of having been tampered with or shows evidence of having been damaged as a result of excessive corrosion; or current, heat, moisture or vibration; improper specification; misapplication; misuse or other operating conditions outside of OMEGA's control. Components in which wear is not warranted, include but are not limited to contact points, fuses, and triacs.

OMEGA is pleased to offer suggestions on the use of its various products. However, OMEGA neither assumes responsibility for any omissions or errors nor assumes liability for any damages that result from the use of its products in accordance with information provided by OMEGA, either verbal or written. OMEGA warrants only that the parts manufactured by the company will be as specified and free of defects. OMEGA MAKES NO OTHER WARRANTIES OR REPRESENTATIONS OF ANY KIND WHATSOEVER, EXPRESSED OR IMPLIED, EXCEPT THAT OF TITLE, AND ALL IMPLIED WARRANTIES INCLUDING ANY WARRANTY OF MERCHANTABILITY AND FITNESS FOR A PARTICULAR PURPOSE ARE HEREBY DISCLAIMED. LIMITATION OF LIABILITY: The remedies of purchaser set forth herein are exclusive, and the total liability of OMEGA with respect to this order, whether based on contract, warranty, negligence, indemnification, strict liability or otherwise, shall not exceed the purchase price of the component upon which liability is based. In no event shall OMEGA be liable for consequential, incidental or special damages.

CONDITIONS: Equipment sold by OMEGA is not intended to be used, nor shall it be used: (1) as a "Basic Component" under 10 CFR 21 (NRC), used in or with any nuclear installation or activity; or (2) in medical applications or used on humans. Should any Product(s) be used in or with any nuclear installation or activity, medical application, used on humans, or misused in any way, OMEGA assumes no responsibility as set forth in our basic WARRANTY/DISCLAIMER language, and, additionally, purchaser will indemnify OMEGA and hold OMEGA harmless from any liability or damage whatsoever arising out of the use of the Product(s) in such a manner.

RETURN REQUESTS/INQUIRIES

Direct all warranty and repair requests/inquiries to the OMEGA Customer Service Department. **BEFORE RETURNING ANY PRODUCT(S) TO OMEGA, PURCHASER MUST OBTAIN AN AUTHORIZED RETURN (AR) NUMBER FROM OMEGA'S CUSTOMER SERVICE DEPARTMENT (IN ORDER TO AVOID PROCESSING DELAYS).** The assigned AR number should then be marked on the outside of the return package and on any correspondence.

The purchaser is responsible for shipping charges, freight, insurance and proper packaging to prevent breakage in transit.

FOR **WARRANTY** RETURNS, please have the following information available BEFORE contacting OMEGA:

1. Purchase Order number under which the product was PURCHASED,
2. Model and serial number of the product under warranty, and
3. Repair instructions and/or specific problems relative to the product.

FOR **NON-WARRANTY** REPAIRS, consult OMEGA for current repair charges. Have the following information available BEFORE contacting OMEGA:

1. Purchase Order number to cover the COST of the repair,
2. Model and serial number of the product, and
3. Repair instructions and/or specific problems relative to the product.

OMEGA's policy is to make running changes, not model changes, whenever an improvement is possible. This affords our customers the latest in technology and engineering.

OMEGA is a registered trademark of OMEGA ENGINEERING, INC.

© Copyright 2005 OMEGA ENGINEERING, INC. All rights reserved. This document may not be copied, photocopied, reproduced, translated, or reduced to any electronic medium or machine-readable form, in whole or in part, without the prior written consent of OMEGA ENGINEERING, INC.

Where Do I Find Everything I Need for Process Measurement and Control? **OMEGA...Of Course!** *Shop online at omega.com*

TEMPERATURE

- ☑ Thermocouple, RTD & Thermistor Probes, Connectors, Panels & Assemblies
- ☑ Wire: Thermocouple, RTD & Thermistor
- ☑ Calibrators & Ice Point References
- ☑ Recorders, Controllers & Process Monitors
- ☑ Infrared Pyrometers

PRESSURE, STRAIN AND FORCE

- ☑ Transducers & Strain Gages
- ☑ Load Cells & Pressure Gages
- ☑ Displacement Transducers
- ☑ Instrumentation & Accessories

FLOW/LEVEL

- ☑ Rotameters, Gas Mass Flowmeters & Flow Computers
- ☑ Air Velocity Indicators
- ☑ Turbine/Paddlewheel Systems
- ☑ Totalizers & Batch Controllers

pH/CONDUCTIVITY

- ☑ pH Electrodes, Testers & Accessories
- ☑ Benchtop/Laboratory Meters
- ☑ Controllers, Calibrators, Simulators & Pumps
- ☑ Industrial pH & Conductivity Equipment

DATA ACQUISITION

- ☑ Data Acquisition & Engineering Software
- ☑ Communications-Based Acquisition Systems
- ☑ Plug-in Cards for Apple, IBM & Compatibles
- ☑ Datalogging Systems
- ☑ Recorders, Printers & Plotters

HEATERS

- ☑ Heating Cable
- ☑ Cartridge & Strip Heaters
- ☑ Immersion & Band Heaters
- ☑ Flexible Heaters
- ☑ Laboratory Heaters

ENVIRONMENTAL MONITORING AND CONTROL

- ☑ Metering & Control Instrumentation
- ☑ Refractometers
- ☑ Pumps & Tubing
- ☑ Air, Soil & Water Monitors
- ☑ Industrial Water & Wastewater Treatment
- ☑ pH, Conductivity & Dissolved Oxygen Instruments