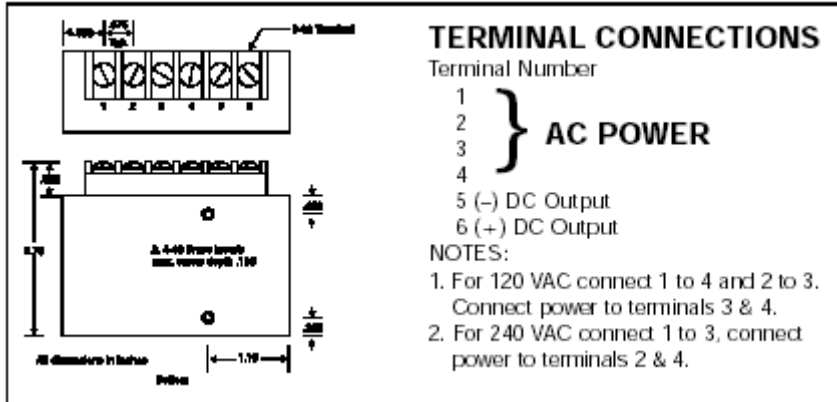




SERIES U24Y175 PROCESS POWER PACK



SPECIFICATIONS

INPUT

Voltage Input Range – User Selectable
105 VAC to 125 VAC – Nominal: 115 VAC
210 VAC to 250 VAC – Nominal: 230 VAC

OUTPUT

Output Voltage: 24 VDC
Output Current: 0.175 A
Voltage Tolerance: 0.2%
Regulation:
Line: $\pm 0.1\%$
Load: $\pm 0.1\%$

Ripple and Noise: 3 mV RMS
Temperature Coefficient: $\pm 0.02\%$ per $^{\circ}\text{C}$
Output Protection: Current limited, Over-voltage
Voltage Isolation: 1500 VAC

OPERATING PARAMETERS

MTBF: Exceeds 100,000 hours
Operating Temperature:
Case: -20°C to $+70^{\circ}\text{C}$
Storage Temperature: -55°C to $+85^{\circ}\text{C}$
Size: 3" x 2.7" x 1"
Weight: 10 oz.

Optional mounting bracket for terminal strip section – P/N U24-MB



OMEGAnet® Online Service

www.omega.com

Internet e-mail

info@omega.com

Servicing North America:

USA: One Omega Drive, Box 4047
 ISO 9001 Certified Stamford CT 06907-0047
 Tel: (203) 359-1660 FAX: (203) 359-7700
[e-mail: info@omega.com](mailto:info@omega.com)

Canada: 976 Bergar
 Laval (Quebec) H7L 5A1, Canada
 Tel: (514) 856-6928 FAX: (514) 856-6886
[e-mail: info@omega.ca](mailto:info@omega.ca)

For immediate technical or application assistance:

USA and Canada: Sales Service: 1-800-826-6342 / 1-800-TC-OMEGA®
 Customer Service: 1-800-622-2378 / 1-800-622-BEST®
 Engineering Service: 1-800-872-9436 / 1-800-USA-WHEN®
 TELEX: 996404 EASYLINK: 62968934 CABLE: OMEGA

Mexico: En Espanol: (001) 203-359-7803 [e-mail: espanol@omega.com](mailto:espanol@omega.com)
 FAX: (001) 203-359-7807 info@omega.com.mx

Servicing Europe:

Benelux: Postbus 8034, 1180 LAAmstelveen, The Netherlands
 Tel: +31 (0)20 3472121 FAX: +31 (0)20 6434643
 Toll Free in Benelux: 0800 0993344
[e-mail: sales@omegaeng.nl](mailto:sales@omegaeng.nl)

Czech Republic: Frystatska 184, 733 01 Karviná, Czech Republic
 Tel: +420 (0)59 6311899 FAX: +420 (0)59 6311114
 Toll Free: 0800-1-66342 [e-mail: info@omegashop.cz](mailto:info@omegashop.cz)

France: 11, rue Jacques Cartier, 78280 Guyancourt, France
 Tel: +33 (0)1 61 37 2900 FAX: +33 (0)1 30 57 5427
 Toll Free in France: 0800 466 342
[e-mail: sales@omega.fr](mailto:sales@omega.fr)

Germany/Austria: Daimlerstrasse 26, D-75392 Deckenpfronn, Germany
 Tel: +49 (0)7056 9398-0 FAX: +49 (0)7056 9398-29
 Toll Free in Germany: 0800 639 7678
[e-mail: info@omega.de](mailto:info@omega.de)

United Kingdom: One Omega Drive, River Bend Technology Centre
 ISO 9002 Certified Northbank, Irlam, Manchester
 M44 5BD United Kingdom
 Tel: +44 (0)161 777 6611
 FAX: +44 (0)161 777 6622
 Toll Free in United Kingdom: 0800-488-488

It is the policy of OMEGA to comply with all worldwide safety and EMC/EM I regulations that apply. OMEGA is constantly pursuing certification of its products to the European New Approach Directives. OMEGA will add the CE mark to every appropriate device upon certification.
 The information contained in this document is believed to be correct, but OMEGA Engineering, Inc. accepts no liability for any errors it contains, and reserves the right to alter specifications without notice.
WARNING: These products are not designed for use in, and should not be used for, human applications.

WARRANTY/DISCLAIMER

OMEGA ENGINEERING, INC. warrants this unit to be free of defects in materials and workmanship for a period of **13 months** from date of purchase. OMEGA's WARRANTY adds an additional one (1) month grace period to the normal **one (1) year product warranty** to cover handling and shipping time. This ensures that OMEGA's customers receive maximum coverage on each product.

If the unit malfunctions, it must be returned to the factory for evaluation. OMEGA's Customer Service Department will issue an Authorized Return (AR) number immediately upon phone or written request. Upon examination by OMEGA, if the unit is found to be defective, it will be repaired or replaced at no charge. OMEGA's WARRANTY does not apply to defects resulting from any action of the purchaser, including but not limited to mishandling, improper interfacing, operation outside of design limits, improper repair, or unauthorized modification. This WARRANTY is VOID if the unit shows evidence of having been tampered with or shows evidence of having been damaged as a result of excessive corrosion; or current, heat, moisture or vibration; improper specification; misapplication; misuse or other operating conditions outside of OMEGA's control. Components which wear are not warranted, including but not limited to contact points, fuses, and triacs.

OMEGA is pleased to offer suggestions on the use of its various products. However, OMEGA neither assumes responsibility for any omissions or errors nor assumes liability for any damages that result from the use of its products in accordance with information provided by OMEGA, either verbal or written. OMEGA warrants only that the parts manufactured by it will be as specified and free of defects. OMEGA MAKES NO OTHER WARRANTIES OR REPRESENTATIONS OF ANY KIND WHATSOEVER, EXPRESS OR IMPLIED, EXCEPT THAT OF TITLE, AND ALL IMPLIED WARRANTIES INCLUDING ANY WARRANTY OF MERCHANTABILITY AND FITNESS FOR A PARTICULAR PURPOSE ARE HEREBY DISCLAIMED. LIMITATION OF LIABILITY: The remedies of purchaser set forth herein are exclusive, and the total liability of OMEGA with respect to this order, whether based on contract, warranty, negligence, indemnification, strict liability or otherwise, shall not exceed the purchase price of the component upon which liability is based. In no event shall OMEGA be liable for consequential, incidental or special damages.

CONDITIONS: Equipment sold by OMEGA is not intended to be used, nor shall it be used: (1) as a "Basic Component" under 10 CFR 21 (NRC), used in or with any nuclear installation or activity; or (2) in medical applications or used on humans. Should any Product(s) be used in or with any nuclear installation or activity, medical application, used on humans, or misused in any way, OMEGA assumes no responsibility as set forth in our basic WARRANTY/ DISCLAIMER language, and, additionally, purchaser will indemnify OMEGA and hold OMEGA harmless from any liability or damage whatsoever arising out of the use of the Product(s) in such a manner.

RETURN REQUESTS/INQUIRIES

Direct all warranty and repair requests/inquiries to the OMEGA Customer Service Department. **BEFORE RETURNING ANY PRODUCT(S) TO OMEGA, PURCHASER MUST OBTAIN AN AUTHORIZED RETURN (AR) NUMBER FROM OMEGA'S CUSTOMER SERVICE DEPARTMENT (IN ORDER TO AVOID PROCESSING DELAYS).** The assigned AR number should then be marked on the outside of the return package and on any correspondence. The purchaser is responsible for shipping charges, freight, insurance and proper packaging to prevent breakage in transit.

PATENT NOTICE: U. S. Pat. No. 6,074,089; 5,465,838 / Canada 2,228,333; 2,116,055 / UK GB 2,321,712 / Holland 1008153 / Israel 123052 / France 2 762 908 / EPO 0614194. Other patents pending.

FOR **WARRANTY** RETURNS, please have the following information available **BEFORE** contacting OMEGA:
 1. Purchase Order number under which the product was PURCHASED,
 2. Model and serial number of the product under warranty, and
 3. Repair instructions and/or specific problems relative to the product.

FOR **NON-WARRANTY** REPAIRS, consult OMEGA for current repair charges. Have the following information available **BEFORE** contacting OMEGA:
 1. Purchase Order number to cover the COST of the repair,
 2. Model and serial number of the product, and
 3. Repair instructions and/or specific problems relative to the product.

OMEGA's policy is to make running changes, not model changes, whenever an improvement is possible. This affords our customers the latest in technology and engineering.

OMEGA is a registered trademark of OMEGA ENGINEERING, INC.

© Copyright 2004 OMEGA ENGINEERING, INC. All rights reserved. This document may not be copied, photocopied, reproduced, translated, or reduced to any electronic medium or machine-readable form, in whole or in part, without the prior written consent of OMEGA ENGINEERING, INC.