

User's Guide

<http://www.omega.com>
e-mail: info@omega.com

PCI-DDA02
PCI-DDA06
PCI-DDA08

Table of Contents

1.0 INTRODUCTION	Page 2
2.0 PRODUCT DESCRIPTION	Page 2
3.0 INSTALLATION	Page 5
3.1 WINDOWS 95, 98 & NT	Page 5
3.2 DOS AND/OR WINDOWS 3.X	Page 6
4.0 CONNECTIONS	Page 7
4.1 CONNECTING EXTERNAL LINES	Page 7
4.2 ANALOG CONNECTIONS	Page 8
4.3 DIGITAL CONNECTIONS	Page 8
<i>4.3.1 Pull Up and Pull Down Resistors</i>	Page 8
5.0 PROGRAMMING & APPLICATIONS	Page 9
5.1 PROGRAMMING LANGUAGES	Page 9
5.2 PACKAGED THIRD-PARTY APPLICATIONS PROGRAMS	Page 9
6.0 SELF-CALIBRATION	Page 10
6.1 CALIBRATION CONFIGURATION	Page 10
7.1 REGISTER OVERVIEW	Page 11
7.2 BADR2	Page 11
7.3 BADR3	Page 13
8.0 ELECTRICAL SPECIFICATIONS	Page 26

1.0 INTRODUCTION

Thank you for purchasing a top quality PC data acquisition and control boards. The PCI-DDA0x/12 family of boards represent the latest technology. As there is not a single switch or jumper on the board, you will find the PCI-DDA0x/12 boards very easy to install and use.

All configuration, calibration, and range settings are done solely through software, making installation simple and quick. The PCI-DDA0x/12 family is supported by the innovative Universal Library, VIX Components, and DAS-Wizard software, as well as by most third-party, high-level data acquisition software, so you have all the tools you need to accomplish your data acquisition task.

Go ahead and install the PCI-DDA0x/12 into your computer and then turn your computer on. Welcome to the future!

PLEASE NOTE: If you have a PCI-DDA08/12, all instructions in this manual apply. If you have a PCI-DDA04/12, you should ignore all references to D/A channels 4 through 7; and if you have a PCI-DDA02/12, you should ignore all references to D/A channels 2 through 7. In all other respects, the three models are identical.

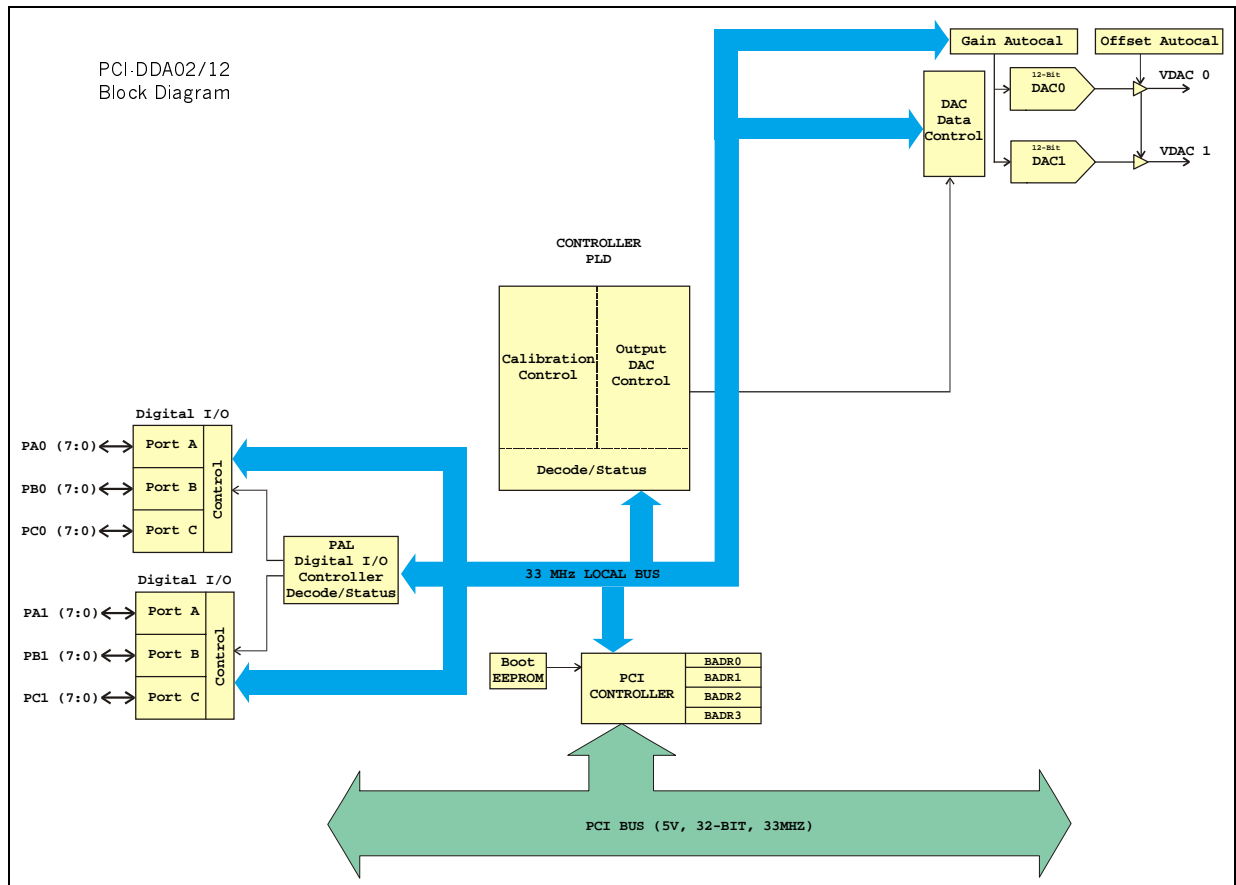
2.0 PRODUCT DESCRIPTION

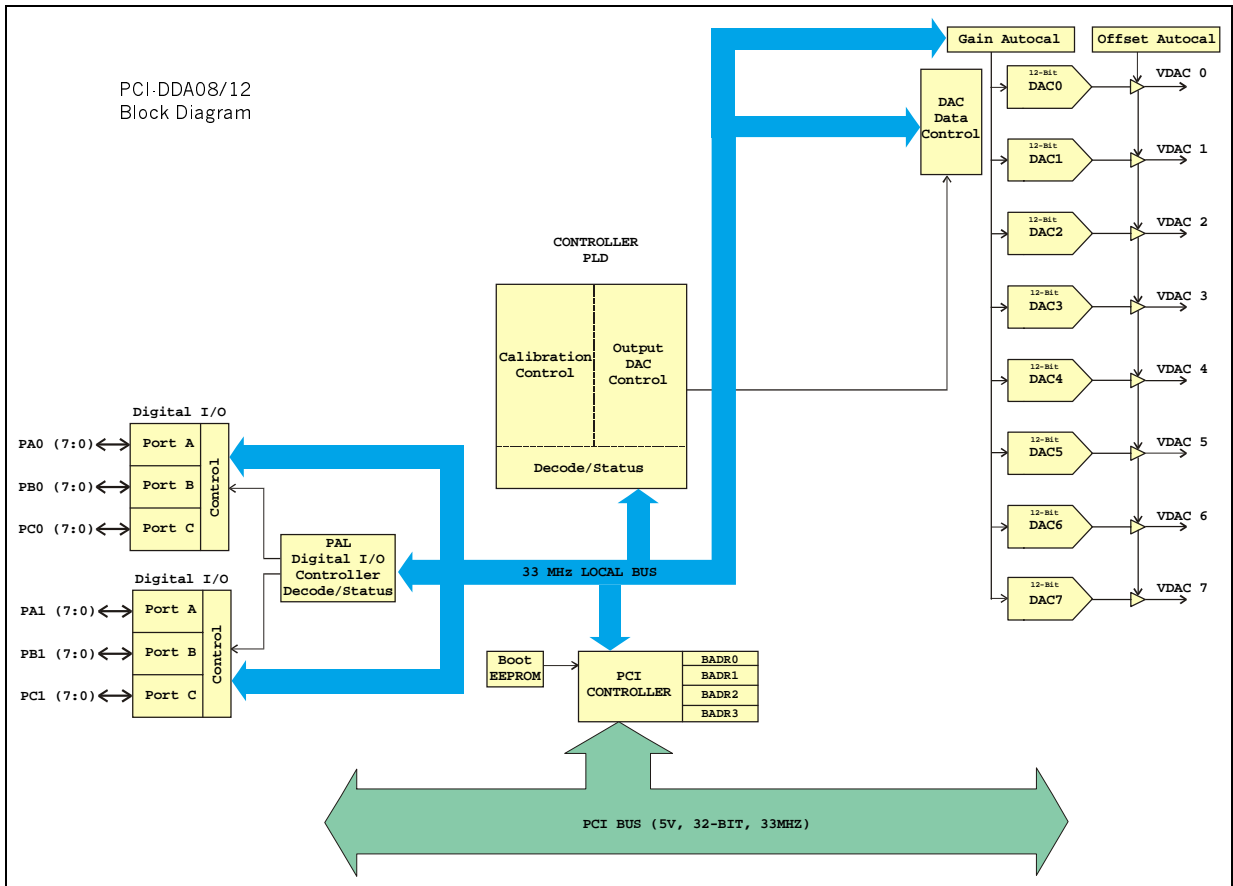
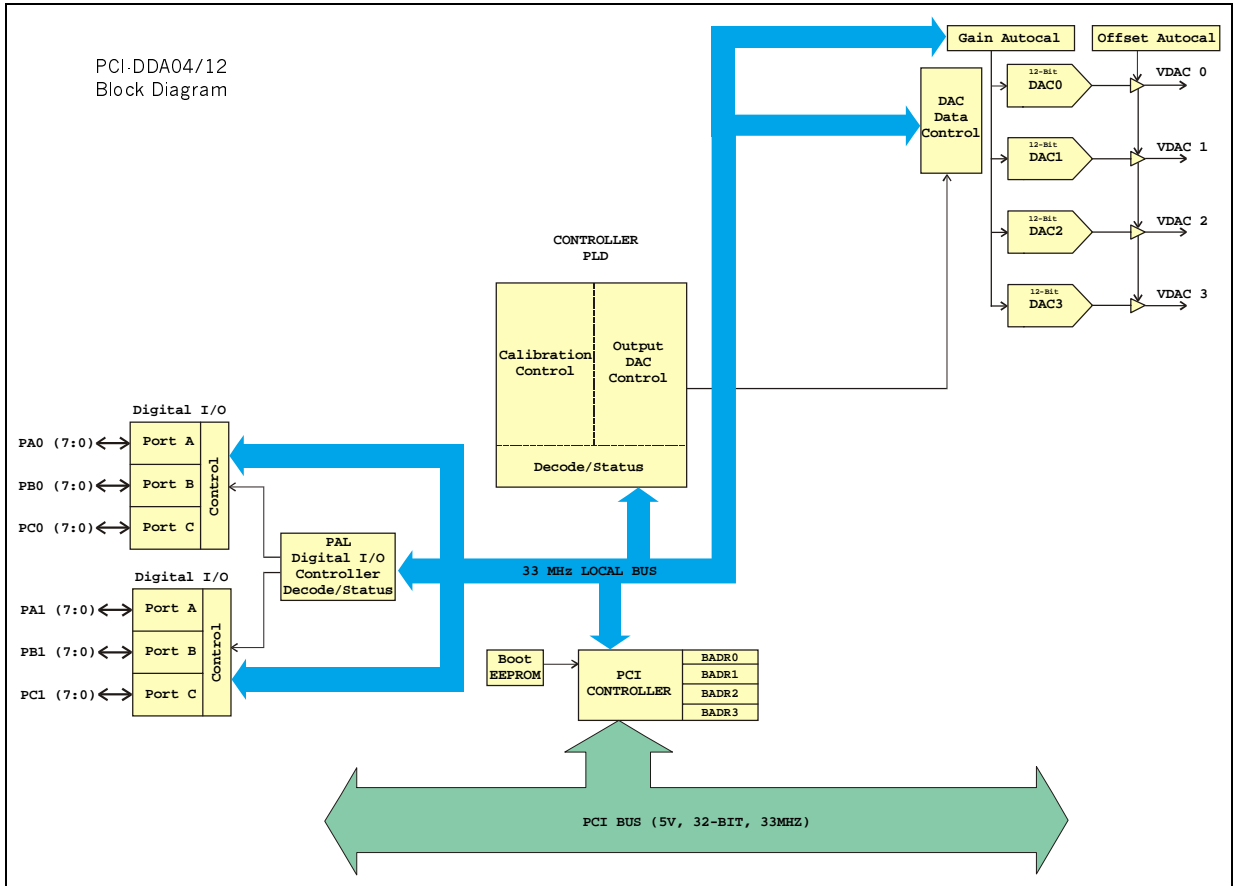
The PCI-DDA0x/12 family comprises three PCI bus plug-in board models: PCI-DDA02/12, PCI-DDA04/12, and PCI-DDA08/12, with 2, 4, and 8 12-bit analog output channels, respectively. In addition, each model has 48 digital I/O lines.

The D/A converters can be independently configured for either bipolar or unipolar 2.5V, 5V, and 10V ranges. The outputs may be updated individually or simultaneously. All calibration and range settings are done through software.

The digital I/O ports are configured as two 8255 mode 0 emulations; A (8 bits), B (8 bits), C high (4 bits), and C low (4 bits). The digital outputs are capable of sinking 64 ma and sourcing 15 ma utilizing standard "S" logic.

The PCI interface uses the PLX 9052 IC which is a low-cost slave-only device. The PCI interface for the analog output is configured in a 16 bit, multiplexed address/data bus, I/O access mode. The PCI interface for the digital I/O is configured in an 8 bit, multiplexed address/data bus, I/O access mode to be register compatible with the PCI-DIOxxH and PCI-DIO48/CTR15 boards. For an idea of how the PCI-DDA0X/12 is logically constructed, refer to the block diagram below according to your particular model.





3.0 INSTALLATION

3.1 HARDWARE INSTALLATION

The PCI-DDA0x/12 products are completely plug and play. Simply follow the steps shown below to install your PCI hardware.

1. Turn your computer off, unplug it, open it up and insert the PCI board into any available PCI slot.
2. Close your computer up, plug it back in and turn it on.
3. Windows will automatically detect the board as it starts up. If the board's configuration file is already on the system, it will load without user interaction. If the configuration file is not detected, you will be prompted to insert the disk containing it. The required file is on the InstaCal or Universal Library disk you received with your board. Simply insert the CD (or Disk 1 if your software is on floppy disk) into an appropriate drive and click on *CONTINUE*. The appropriate file should then be automatically loaded and the PCI board will appear in the Device Manager under DAS Component.

If the file is not found on the first attempt, use the browse function to select the drive that contains the InstaCAL or Universal Library disk, select the CBxx.INF file and then click on *CONTINUE*.

3.2 SOFTWARE INSTALLATION, *WINDOWS* 95, 98 & NT

3.2.1 INTRODUCTION

InstaCal is the installation, calibration and test software supplied with your data acquisition hardware. The complete *InstaCal* package is also included with the Universal Library. If you have ordered the Universal Library, the Universal Library CD/disks install both the library and *InstaCal*. The installation will create all required files and unpack the various pieces of compressed software. To install *InstaCal* (and the Universal Library if applicable), simply run the SETUP.EXE file contained on your CD, (or Disk 1 of the floppy disk set) and follow the on-screen instructions.

3.2.2 INSTALLATION OPTIONS

The Universal Library provides example programs for a wide variety of programming languages. If you are installing the Universal Library, an "Installation Options" dialog box will allow you to select which languages' example programs are loaded onto your computer. Select the desired example programs by checking the appropriate box(s).

3.2.3 FILE DEFAULT LOCATION

InstaCal will place all appropriate files in "C:CB" If you change this default location remember where the installed files are placed as you may need to access them later.

3.2.4 INSTALLATION QUESTIONS

At the end of the installation process the installation wizard will ask a series of questions updating your startup files. Unless you have knowledge to the contrary, simply accept the default (YES) when prompted. You will also be asked if you would like to read an updated README file. If possible, please choose yes and take a look at the information in the file. It will include the latest information regarding the software you are installing.

3.2.5 INSTALLATION COMPLETION

After the installation of *InstaCal* is complete you should restart your computer to take advantage of changes made to the system.

3.3 RUN *INSTACAL*

Run the *InstaCal* program in order to test your board and configure it for run-time use. By configuring the board, you add information to the configuration file, *cb.cfg*, that is used by the Universal Library and other third-party data acquisition packages that use the Universal Library to access the board.

3.3.1 LAUNCHING *InstaCAL*

Launch *InstaCal* by going to your Start Menu then to Programs, then to ComputerBoards, and finally choosing *InstaCal*. You may also launch the program by going to START>RUN and typing INSCAL32, or by finding the file named "inscal32.exe" in your installation directory and double clicking it.

InstaCal will display a dialog box indicating the boards that have been detected in the system. If there are no other boards currently installed by *InstaCal*, then the PCI-DDA0x/12 board will be assigned board number 0. Otherwise it will be assigned the next available board number.

You can now view and change the board configuration by clicking the properties icon or selecting the Install\Configure menu.

3.3.2 TESTING THE INSTALLATION

After you have run the install program, it is time to test the installation. The following section describes the *InstaCal* procedure to test that your board is properly installed.

With *InstaCal* running:

1. Select the board you just installed.
2. Select the "Test" function.

Follow the instructions provided to test for proper board operation.

3.4 DOS AND/OR WINDOWS 3.1

Most users are now installing PCI Bus boards in systems with 32-bit operating systems (e.g., Windows 95, 98 or NT). The PCI-DDA0x/12 is not currently supported by the 16-bit library required to run under DOS or Windows 3.x.

Please contact us if your application is running under DOS or Windows 3.x.

4.0 CONNECTIONS

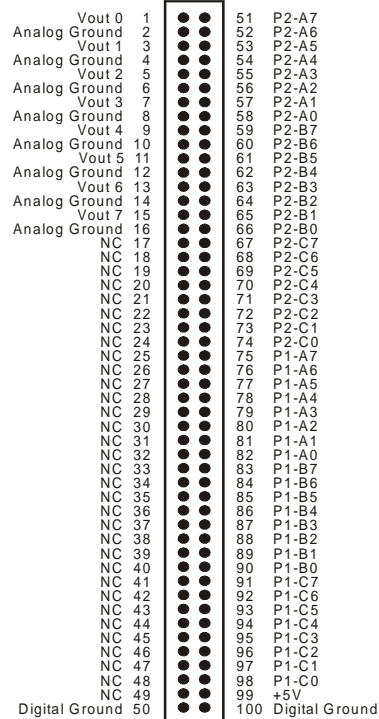
The PCI-DDA0x/12 uses a single 100-pin connector on the back plate of the board to bring out all required digital and analog lines and grounds.

PLEASE NOTE: If you have a PCI-DDA08/12, all instructions in this manual apply. If you have a PCI-DDA04/12, you should ignore all references to D/A channels 4 through 7; and if you have a PCI-DDA02/12, you should ignore all references to D/A channels 2 through 7. In all other respects, the three models are identical.

4.1 CONNECTING EXTERNAL LINES

The 100-pin connector provides a far greater signal density than the traditional 37 pin D type connector. The ideal means for breaking out the 100 lines from the PCI-DDA0X/12 are a combination of one C100-FF-X series cable and either one CIO-TERM100 screw terminal board or a pair of CIO-MINI50 screw terminal boards.

Each of the C100-FF-x cable series consists of a ribbon cable that is terminated at one end with a 100 pin connector that mates with the connector on the PCI-DDA0x/12 board. The 100-conductor ribbon cable splits into two 50 pin ribbon cables which are terminated with standard 50 pin header connectors that connect to the CIO-TERM100 or CIO-MINI50 screw terminal boards. The C100-FF-x is available in lengths of 1, 2, 3, 4, 5, 10, 15, 20, 25, and 50 feet, where x is the length in feet. For example, a two-foot model is designated C100-FF-2.



PCI-DDA0x/12 Connector Diagram

4.2 ANALOG CONNECTIONS

The analog output connections on the PCI-DDA0x/12 series are two-wire hookups, one end of which is the signal labeled Voutx, with x being the channel number from 0 to 7 (PCI-DDA08/12), 0 to 3 (PCI-DDA04/12), and 0 to 1 (PCI-DDA02/12). The other end is the associated analog ground. In software you may select analog ranges of $\pm 10V$, $\pm 5V$, $\pm 2.5V$, 0 - 10V, 0 - 5V, and 0 - 2.5V. Each port may be reconfigured easily and quickly.

4.3 DIGITAL CONNECTIONS

The PCI-DDA0x/12 emulates two 82C55 chips, but offers much higher drive capability than the 82C55. The board emulates only Mode 0 of the 82C55 (no strobed I/O or bi-directional I/O bits). The board is completely plug-and-play without any onboard user configurable switches or jumpers. The 48 CMOS/TTL compatible digital I/O lines are configured in four banks of 8 and four banks of 4. Each group may be input or output.

All the digital outputs/inputs on the PCI-DDA0x/12 connector are TTL compatible. TTL is an electronics industry term, short for Transistor Transistor Logic, which describes a standard for digital signals which are either at 0V or 5V. The binary logic inside the PC is all TTL or LSTTL (Low power Schottky TTL).

The outputs are capable of sinking 64 mA or sourcing 15 mA. All I/O is brought out to the 100-pin connector, which also allows connection to the PC's +5 Volt and Ground.

Keep in mind that unconnected inputs float. If you are using a DIO board for input, and have unconnected inputs, ignore the data from those lines. In other words, if you connect bit A0 and not bit A1, do not be surprised if A1 stays low, stays high or tracks A0. In the absence of a pull-up/down resistor, any input to a CIO-DIO which is unconnected is unspecified.

You do not have to connect all input lines, and unconnected lines will not affect the performance of connected lines. Just make sure that you mask out any unconnected bits in software.

4.3.1 Pull Up and Pull Down Resistors

Whenever the board is powered on or reset, all ports are set to input mode. Inputs will typically float high, but will not reliably supply enough output current to ensure that external devices you have connected will "see" a logic 1. Which way they float depends on the characteristics of the circuits connected and is unpredictable! If it is important that your system go into a predetermined state on power up or reset, you need pull up/down resistors.

The pull-up resistor pulls the input to a high state (+5V) while its value of 2200 ohms requires only 2 ma of the 64 mA available from the output. A 2200 ohm pull-down resistor accomplishes the same task except that the line is pulled low when the board is input mode (and uses only 2 mA of the available 15 mA output provided by the board).

The PCI-DDA0X boards are equipped with positions for pull-up/down resistors Single Inline Packages (SIPs). The positions are marked A, B and C and are located behind board's I/O connector.

A 2.2K ohm, 9-resistor SIP is made of 9, 2.2K resistors all connected one side to a single common point and the other, each to a pin protruding from the SIP. The common line to which all resistor are connected also protrudes from the SIP. The common line is marked with a dot and is at one end of the SIP.

The SIP may be installed as pull-up or pull-down. At each SIP location, there are 10 holes in a line. One end of the line is +5V, the other end is GND. They are so marked. The 8 holes in the middle are connected to the 8 lines of the port.

5.0 PROGRAMMING & APPLICATIONS

Your PCI-DDA0x/12 is supported by the powerful Universal Library. We strongly recommend that you take advantage of the Universal Library as your software interface. The complexity of the registers required for automatic calibration combined with the dynamic allocation of addresses and internal resources makes the PCI-DDA0x/12 series very challenging to program via direct register I/O operations. Direct I/O programming should not be required.

5.1 PROGRAMMING LANGUAGES

The Universal Library provides complete access to the PCI-DDA0x/12 functions from a range of Windows programming languages. If you are planning to write programs, or would like to run the example programs for Visual Basic or any other language, please refer to the Universal Library manual.

The optional VIX Components package may greatly simplify your programming effort. VIX Components is a set of programming tools based on a DLL interface to Windows languages. A set of VBX, OCX, and ActiveX interfaces allows point and click construction of graphical displays, analysis and control structures. Please see a Computer-Boards product catalog or contact us for a complete description of VIX Components.

5.2 PACKAGED THIRD-PARTY APPLICATIONS PROGRAMS

In addition to DAS-Wizard, many packaged third-party application programs such as Labtech Notebook and HP-VEE now have drivers for the PCI-DDA0x/12. If the package you own does not appear to have drivers for the PCI-DDA0x/12 please fax or e-mail the package name and the revision number from the install disks. We will research the package for you and advise how to obtain PCI-DDA0x/12 drivers.

Some application drivers that are included with Universal Library are not included with third-party application packages. If you have purchased an application package directly from the software vendor, you may need to purchase our Universal Library and drivers. Please contact us for more information on this topic.

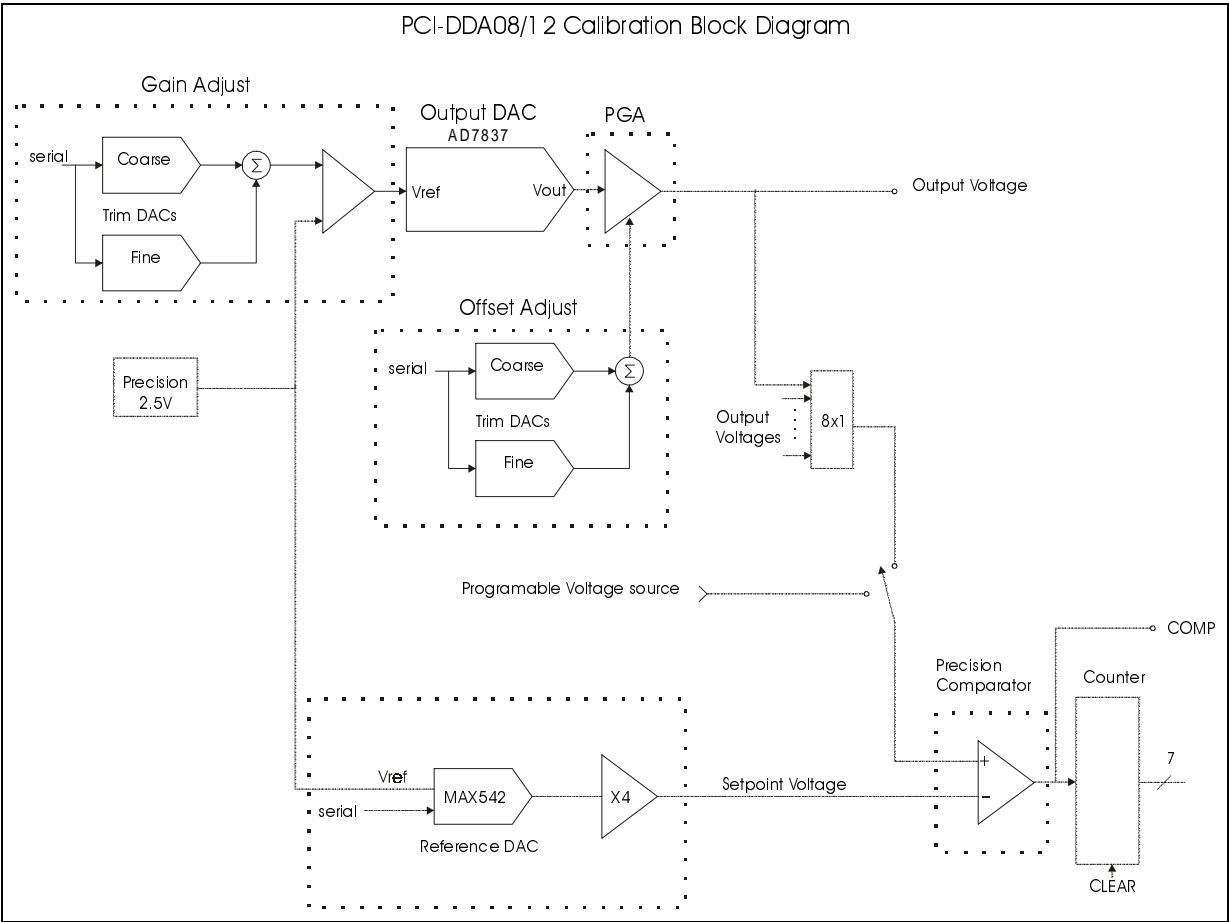
6.0 Self-Calibration

The PCI-DDA0x/12 is shipped fully-calibrated from the factory with calibration coefficients stored in nonvolatile RAM. When using the Universal Library, these calibration factors are read from nonvolatile RAM and are automatically written to the calibration DACS each time a different DAC range is specified. The user has the option to recalibrate with respect to the factory-measured voltage standards at any time by simply selecting the "Calibrate" option in InstaCal. Instacal will calibrate all channels at all six ranges. Each channel takes less than a minute to calibrate.

6.1 CALIBRATION CONFIGURATION

The PCI-DDA0x/12 provides self-calibration of the analog source and measure systems thereby eliminating the need for external equipment and user adjustments. Calibration factors are stored on the serial nonvolatile RAM.

The analog output circuits are calibrated for both gain and offset. Gain calibration of the analog outputs are performed via DAC reference adjustments. Offset adjustments for the analog output are made in the output buffer section. A block diagram of the PCI-DDA0x/12 series calibration circuitry is shown below.



6.2 "IN-SYSTEM" CALIBRATION

The PCI-DDA0x/12 is calibrated at the factory for the correct voltages at the I/O connector itself. For more precise application of voltages at the "system end", we have provided a version of InstaCAL that allows you to calibrate the board within your system, for correct voltages at your field connection. This calibration allows the user to remove the effects of voltage drops caused by IR loss in the cable and connector for resistances up to 1 ohm. This calibration will also allow the user to zero out errors in any external signal conditioning up to approximately ± 10 mV.

Please contact the factory for details regarding the use of this "in-system" calibration feature.

7.0 Register Description

We strongly urge users to take advantage of the Universal Library software package rather than attempt to write register level software for the PCI-DDA0x/12 series. The register level programming information is provided as a matter of completeness only. Register level programming of this or any other software calibrating PCI board is quite complex and should only be attempted by highly experienced programmer.

7.1 REGISTER OVERVIEW

NOTE: please ignore references to D/A channels 4 through 7 on the PCI-DDA04/12, and references to channels 2 through 7 on the PCI-DDA02/12. Otherwise, the three boards are identical.

PCI-DDA0x/12 operation registers are mapped into I/O space. Unlike ISA bus designs, this board has several base addresses, each corresponding to a reserved block of addresses in I/O space.

Of the six Base Address Regions (BADR) available per the PCI 2.1 specification, four are implemented in this design and are summarized as follows.

I/O Region	Function	Operations
BADR0	PCI memory mapped configuration registers	32-bit DOUBLE WORD
BADR1	PCI I/O mapped configuration registers	32-bit DOUBLE WORD
BADR2	Digital I/O registers	8-bit BYTE
BADR3	DAC registers	16-bit WORD

BADR0 and BADR1 are used for PCI configuration and should be used only by experienced programmers familiar with the PCI interface. BADR2 is an 8-bit data/address bus for compatibility with our other digital I/O PCI cards. BADR3 is a 16-bit data/address bus for software ease when writing to the 12-bit DACs.

7.2 BADR2

Register	Read Function	Write Function
BADR2 + 0	Input Port 1A Data	Output Port 1A Data
BADR2 + 1	Input Port 1B Data	Output Port 1B Data
BADR2 + 2	Input Port 1C Data	Output Port 1C Data
BADR2 + 3	Control register readback 1	Control Register 1
BADR2 + 4	Input Port 2A Data	Output Port 2A Data
BADR2 + 5	Input Port 2B Data	Output Port 2B Data
BADR2 + 6	Input Port 2C Data	Output Port 2C Data
BADR2 + 7	Control register readback 2	Control Register 2

The Digital I/O ports simulate the 8255 Mode 0 function.

PORT 1A DATA

BADR2 + 0hex

READ/WRITE

7	6	5	4	3	2	1	0
A7	A6	A5	A4	A3	A2	A1	A0

PORT 1B DATA

BADR2 + 1hex

READ/WRITE

7	6	5	4	3	2	1	0
B7	B6	B5	B4	B3	B2	B1	B0

PORT 1C DATA

BADR2 + 02hex

READ/WRITE

7	6	5	4	3	2	1	0
CH3	CH2	CH1	CH0	CL3	CL2	CL1	CL0

CONTROL REGISTER 1

BADR2 + 03hex

READ/WRITE

7	6	5	4	3	2	1	0
-	-	-	D4	D3	-	D1	D0

The operating mode of the Digital I/O port is set to Mode 0. The control register therefore is used to enable the ports for input/output to the connector. For example, to set all ports to output, write the value 0hex to BADR2 + 3. To set all ports to input, write the value 1Bhex to Base + 3. The user is able to read the current state of the output port by simply reading that port when set to be output. D7, D6, D5, and D2 are 'don't care'. 'CU' is PORT C upper nibble, 'CL' is PORT C lower nibble.

Programming Codes				Values		DIO Port			
D4	D3	D1	D0	Hex	Dec	A	B	CU	CL
0	0	0	0	0	0	OUT	OUT	OUT	OUT
0	0	0	1	1	1	OUT	OUT	OUT	IN
0	0	1	0	2	2	OUT	IN	OUT	OUT
0	0	1	1	3	3	OUT	IN	OUT	IN
0	1	0	0	8	8	OUT	OUT	IN	OUT
0	1	0	1	9	9	OUT	OUT	IN	IN
0	1	1	0	A	10	OUT	IN	IN	OUT
0	1	1	1	B	11	OUT	IN	IN	IN
1	0	0	0	10	16	IN	OUT	OUT	OUT
1	0	0	1	11	17	IN	OUT	OUT	IN
1	0	1	0	12	18	IN	IN	OUT	OUT
1	0	1	1	13	19	IN	IN	OUT	IN
1	1	0	0	18	24	IN	OUT	IN	OUT
1	1	0	1	19	25	IN	OUT	IN	IN
1	1	1	0	1A	26	IN	IN	IN	OUT
1	1	1	1	1B	27	IN	IN	IN	IN

Table 1.0

PORT 2A DATA

BADR2 + 04hex

READ/WRITE

7	6	5	4	3	2	1	0
A7	A6	A5	A4	A3	A2	A1	A0

PORT 2B DATA

BADR2 + 05hex

READ/WRITE

7	6	5	4	3	2	1	0
B7	B6	B5	B4	B3	B2	B1	B0

PORT 2C DATA

BADR2 + 06hex

READ/WRITE

7	6	5	4	3	2	1	0
CH3	CH2	CH1	CH0	CL3	CL2	CL1	CL0

CONTROL REGISTER 2

BADR2 + 07hex

READ/WRITE

7	6	5	4	3	2	1	0
-	-	-	D4	D3	-	D1	D0

See BADR2 + 03hex and TABLE 1.0 for full description of the Control Register.

7.3 BADR3

REGISTER	READ FUNCTION	WRITE FUNCTION
BADR3 + 0	Initiate a simultaneous update	D/A Control Register
BADR3 + 2h		reserved
BADR3 + 4h	D/A Calibration Register 1 Data	D/A Calibration Register 1
BADR3 + 6h		D/A Calibration Register 2
BADR3 + 8h		D/A 0 DATA
BADR3 + Ah		D/A 1 DATA
BADR3 + Ch		D/A 2 DATA
BADR3 + Eh		D/A 3 DATA
BADR3 + 10h		D/A 4 DATA
BADR3 + 12h		D/A 5 DATA
BADR3 + 14h		D/A 6 DATA
BADR3 + 16h		D/A 7 DATA

D/A CONTROL REGISTER

BADR3 + 0hex

WRITE

15	14	13	12	11	10	9	8	7	6	5	4	3	2	1	0
X	X	X	X	X	X	X	R2	R1	R0	X	D2	D1	D0	EN	SU

SU

This bit enables simultaneous update for the DAC pair specified by D2 and D1 (see table below). Setting the simultaneous update bit inhibits updating the DAC output until a simultaneous update is initiated (see READ below). The DACs are paired as follows; DACs 0 and 1, DACs 2 and 3, DACs 4 and 5, and DACs 6 and 7. Setting simultaneous update for either DAC in the pair will set it for both.

0 = Simultaneous update disabled

1 = Simultaneous update enabled

The power on status of this bit is 0

EN

This bit enables the DAC specified by D2, D1, D0.

0 = DAC disabled

1 = DAC enabled

The power on status of this bit is 0. A disabled DAC is held at 0v.

D[2:0]

These bits specify the DAC that is being configured.

D2	D1	D0	DAC Channel
0	0	0	0
0	0	1	1
0	1	0	2
0	1	1	3
1	0	0	4
1	0	1	5
1	1	0	6
1	1	1	7

R[2:0]

These bits select the gain/range for the DAC specified by D2, D1, and D0.

The power on setting is Bipolar 2.5V.

R2	R1	R0	RANGE	LSB Size
0	0	X	Bipolar 2.5V	1.22mV
0	1	0	Bipolar 5V	2.44mV
0	1	1	Bipolar 10V	4.88mV
1	0	X	Unipolar 2.5V	611uV
1	1	0	Unipolar 5V	1.22mV
1	1	1	Unipolar 10V	2.44mV

READ

Reading this register initiates a simultaneous update for all DACs.

D/A CALIBRATION REGISTER 1

BADR3 + 4hex

WRITE

7	6	5	4	3	2	1	0
X	X	X	X	MA2	MA1	MA0	SDI

SDI

This is the serial data in bit for the calibration EEPROM, the 16-bit reference DAC, and the 8-bit trim DACs. Writing to this register will automatically generate the correct serial clock.

NOTE: You must preserve the status of MA2:MA0 when adjusting the offset and gain calibration DACs.

MA[2:0]

These bits select the DAC to be calibrated

MA2	MA1	MA0	DAC Channel
0	0	0	0
0	0	1	1
0	1	0	2
0	1	1	3
1	0	0	4
1	0	1	5
1	1	0	6
1	1	1	7

READ

7	6	5	4	3	2	1	0
SDO	COMP	OVERFLOW	D4	D3	D2	D1	D0

D[4:0]

These bits are the output of the 5 bit calibration counter. D0 is the LSB. Each time you initiate a read, the counter is first cleared and then gated (allowed to count) for a fixed period. This ensures that all count periods are identical.

OVERFLOW

This bit indicates that a 5-bit calibration counter overflow.

0 = no counter overflow
1 = counter overflow

COMP

This bit comes from the output of the calibration comparator.

0 = DAC voltage is greater than the calibration reference voltage

1 = DAC voltage is less than the calibration reference voltage

SDO

This is the serial data out bit for the calibration EEPROM. Reading this register will automatically generate the correct serial clock.

D/A CALIBRATION REGISTER 2

BADR3 + 6hex

WRITE ONLY

7	6	5	4	3	2	1	0
X	1	SEL8800_67	SEL8800_45	SEL8800_23	SEL8800_01	SEL_542	SEL_EEPROM

SEL_EEPROM

This bit is the chip select for the calibration EEPROM. It is active high and should be initialized to 0. Make sure that none of the DACs discussed below are enabled at the same time as the EEPROM because they share common serial data and clock lines. The calibration EEPROM is the NM93C56 which is divided into 128 16-bit words. The memory map is listed in the tables below. Data is clocked in and out on the rising edge of the serial clock. The decoding logic on the board drives the serial clock automatically so no additional programming is required. You must send a WREN (write enable) command to the device before trying to write to it.

Address	Description
00h	+9.99756V Reference DAC 16-bit word
01h	+9.99512V Reference DAC 16-bit word
02h	+4.99878V Reference DAC 16-bit word
03h	+4.99756V Reference DAC 16-bit word
04h	+2.49939V Reference DAC 16-bit word
05h	+2.49878V Reference DAC 16-bit word
06h	0V Reference DAC 16-bit word

Table 2.0 EEPROM Memory Map for the Reference DAC

Address	Upper Byte	Lower Byte
07h	Bipolar 10V Trim DAC0 Coarse Offset	Bipolar 10V Trim DAC0 Fine Offset
08h	Bipolar 10V Trim DAC0 Coarse Gain	Bipolar 10V Trim DAC0 Fine Gain
09h	Bipolar 5V Trim DAC0 Coarse Offset	Bipolar 5V Trim DAC0 Fine Offset
0Ah	Bipolar 5V Trim DAC0 Coarse Gain	Bipolar 5V Trim DAC0 Fine Gain
0Bh	Bipolar 2.5V Trim DAC0 Coarse Offset	Bipolar 2.5V Trim DAC0 Fine Offset
0Ch	Bipolar 2.5V Trim DAC0 Coarse Gain	Bipolar 2.5V Trim DAC0 Fine Gain
0Dh	Unipolar 10V Trim DAC0 Coarse Offset	Unipolar 10V Trim DAC0 Fine Offset
0Eh	Unipolar 10V Trim DAC0 Coarse Gain	Unipolar 10V Trim DAC0 Fine Gain
0Fh	Unipolar 5V Trim DAC0 Coarse Offset	Unipolar 5V Trim DAC0 Fine Offset
10h	Unipolar 5V Trim DAC0 Coarse Gain	Unipolar 5V Trim DAC0 Fine Gain
11h	Unipolar 2.5V Trim DAC0 Coarse Offset	Unipolar 2.5V Trim DAC0 Fine Offset
12h	Unipolar 2.5V Trim DAC0 Coarse Gain	Unipolar 2.5V Trim DAC0 Fine Gain
13h	Bipolar 10V Trim DAC1 Coarse Offset	Bipolar 10V Trim DAC1 Fine Offset
14h	Bipolar 10V Trim DAC1 Coarse Gain	Bipolar 10V Trim DAC1 Fine Gain
15h	Bipolar 5V Trim DAC1 Coarse Offset	Bipolar 5V Trim DAC1 Fine Offset
16h	Bipolar 5V Trim DAC1 Coarse Gain	Bipolar 5V Trim DAC1 Fine Gain
17h	Bipolar 2.5V Trim DAC1 Coarse Offset	Bipolar 2.5V Trim DAC1 Fine Offset
18h	Bipolar 2.5V Trim DAC1 Coarse Gain	Bipolar 2.5V Trim DAC1 Fine Gain
19h	Unipolar 10V Trim DAC1 Coarse Offset	Unipolar 10V Trim DAC1 Fine Offset
1Ah	Unipolar 10V Trim DAC1 Coarse Gain	Unipolar 10V Trim DAC1 Fine Gain
1Bh	Unipolar 5V Trim DAC1 Coarse Offset	Unipolar 5V Trim DAC1 Fine Offset
1Ch	Unipolar 5V Trim DAC1 Coarse Gain	Unipolar 5V Trim DAC1 Fine Gain
1Dh	Unipolar 2.5V Trim DAC1 Coarse Offset	Unipolar 2.5V Trim DAC1 Fine Offset
1Eh	Unipolar 2.5V Trim DAC1 Coarse Gain	Unipolar 2.5V Trim DAC1 Fine Gain
1Fh	Bipolar 10V Trim DAC2 Coarse Offset	Bipolar 10V Trim DAC2 Fine Offset
20h	Bipolar 10V Trim DAC2 Coarse Gain	Bipolar 10V Trim DAC2 Fine Gain
21h	Bipolar 5V Trim DAC2 Coarse Offset	Bipolar 5V Trim DAC2 Fine Offset
22h	Bipolar 5V Trim DAC2 Coarse Gain	Bipolar 5V Trim DAC2 Fine Gain
23h	Bipolar 2.5V Trim DAC2 Coarse Offset	Bipolar 2.5V Trim DAC2 Fine Offset
24h	Bipolar 2.5V Trim DAC2 Coarse Gain	Bipolar 2.5V Trim DAC2 Fine Gain
25h	Unipolar 10V Trim DAC2 Coarse Offset	Unipolar 10V Trim DAC2 Fine Offset
26h	Unipolar 10V Trim DAC2 Coarse Gain	Unipolar 10V Trim DAC2 Fine Gain
27h	Unipolar 5V Trim DAC2 Coarse Offset	Unipolar 5V Trim DAC2 Fine Offset
28h	Unipolar 5V Trim DAC2 Coarse Gain	Unipolar 5V Trim DAC2 Fine Gain
29h	Unipolar 2.5V Trim DAC2 Coarse Offset	Unipolar 2.5V Trim DAC2 Fine Offset
2Ah	Unipolar 2.5V Trim DAC2 Coarse Gain	Unipolar 2.5V Trim DAC2 Fine Gain

Table 3.0 Calibration EEPROM Memory Map for Trim DACs

Address	Upper Byte	Lower Byte
2Bh	Bipolar 10V Trim DAC3 Coarse Offset	Bipolar 10V Trim DAC3 Fine Offset
2Ch	Bipolar 10V Trim DAC3 Coarse Gain	Bipolar 10V Trim DAC3 Fine Gain
2Dh	Bipolar 5V Trim DAC3 Coarse Offset	Bipolar 5V Trim DAC3 Fine Offset
2Eh	Bipolar 5V Trim DAC3 Coarse Gain	Bipolar 5V Trim DAC3 Fine Gain
2Fh	Bipolar 2.5V Trim DAC3 Coarse Offset	Bipolar 2.5V Trim DAC3 Fine Offset
30h	Bipolar 2.5V Trim DAC3 Coarse Gain	Bipolar 2.5V Trim DAC3 Fine Gain
31h	Unipolar 10V Trim DAC3 Coarse Offset	Unipolar 10V Trim DAC3 Fine Offset
32h	Unipolar 10V Trim DAC3 Coarse Gain	Unipolar 10V Trim DAC3 Fine Gain
33h	Unipolar 5V Trim DAC3 Coarse Offset	Unipolar 5V Trim DAC3 Fine Offset
34h	Unipolar 5V Trim DAC3 Coarse Gain	Unipolar 5V Trim DAC3 Fine Gain
35h	Unipolar 2.5V Trim DAC3 Coarse Offset	Unipolar 2.5V Trim DAC3 Fine Offset
36h	Unipolar 2.5V Trim DAC3 Coarse Gain	Unipolar 2.5V Trim DAC3 Fine Gain
37h	Bipolar 10V Trim DAC4 Coarse Offset	Bipolar 10V Trim DAC4 Fine Offset
38h	Bipolar 10V Trim DAC4 Coarse Gain	Bipolar 10V Trim DAC4 Fine Gain
39h	Bipolar 5V Trim DAC4 Coarse Offset	Bipolar 5V Trim DAC4 Fine Offset
3Ah	Bipolar 5V Trim DAC4 Coarse Gain	Bipolar 5V Trim DAC4 Fine Gain
3Bh	Bipolar 2.5V Trim DAC4 Coarse Offset	Bipolar 2.5V Trim DAC4 Fine Offset
3Ch	Bipolar 2.5V Trim DAC4 Coarse Gain	Bipolar 2.5V Trim DAC4 Fine Gain
3Dh	Unipolar 10V Trim DAC4 Coarse Offset	Unipolar 10V Trim DAC4 Fine Offset
3Eh	Unipolar 10V Trim DAC4 Coarse Gain	Unipolar 10V Trim DAC4 Fine Gain
3Fh	Unipolar 5V Trim DAC4 Coarse Offset	Unipolar 5V Trim DAC4 Fine Offset
40h	Unipolar 5V Trim DAC4 Coarse Gain	Unipolar 5V Trim DAC4 Fine Gain
41h	Unipolar 2.5V Trim DAC4 Coarse Offset	Unipolar 2.5V Trim DAC4 Fine Offset
42h	Unipolar 2.5V Trim DAC4 Coarse Gain	Unipolar 2.5V Trim DAC4 Fine Gain
43h	Bipolar 10V Trim DAC5 Coarse Offset	Bipolar 10V Trim DAC5 Fine Offset
44h	Bipolar 10V Trim DAC5 Coarse Gain	Bipolar 10V Trim DAC5 Fine Gain
45h	Bipolar 5V Trim DAC5 Coarse Offset	Bipolar 5V Trim DAC5 Fine Offset
46h	Bipolar 5V Trim DAC5 Coarse Gain	Bipolar 5V Trim DAC5 Fine Gain
47h	Bipolar 2.5V Trim DAC5 Coarse Offset	Bipolar 2.5V Trim DAC5 Fine Offset
48h	Bipolar 2.5V Trim DAC5 Coarse Gain	Bipolar 2.5V Trim DAC5 Fine Gain
49h	Unipolar 10V Trim DAC5 Coarse Offset	Unipolar 10V Trim DAC5 Fine Offset
4Ah	Unipolar 10V Trim DAC5 Coarse Gain	Unipolar 10V Trim DAC5 Fine Gain
4Bh	Unipolar 5V Trim DAC5 Coarse Offset	Unipolar 5V Trim DAC5 Fine Offset
4Ch	Unipolar 5V Trim DAC5 Coarse Gain	Unipolar 5V Trim DAC5 Fine Gain
4Dh	Unipolar 2.5V Trim DAC5 Coarse Offset	Unipolar 2.5V Trim DAC5 Fine Offset
4Eh	Unipolar 2.5V Trim DAC5 Coarse Gain	Unipolar 2.5V Trim DAC5 Fine Gain

Table 3.0 (cont.) Calibration EEPROM Memory Map for Trim DACs

Address	Upper Byte	Lower Byte
4Fh	Bipolar 10V Trim DAC6 Coarse Offset	Bipolar 10V Trim DAC6 Fine Offset
50h	Bipolar 10V Trim DAC6 Coarse Gain	Bipolar 10V Trim DAC6 Fine Gain
51h	Bipolar 5V Trim DAC6 Coarse Offset	Bipolar 5V Trim DAC6 Fine Offset
52h	Bipolar 5V Trim DAC6 Coarse Gain	Bipolar 5V Trim DAC6 Fine Gain
53h	Bipolar 2.5V Trim DAC6 Coarse Offset	Bipolar 2.5V Trim DAC6 Fine Offset
54h	Bipolar 2.5V Trim DAC6 Coarse Gain	Bipolar 2.5V Trim DAC6 Fine Gain
55h	Unipolar 10V Trim DAC6 Coarse Offset	Unipolar 10V Trim DAC6 Fine Offset
56h	Unipolar 10V Trim DAC6 Coarse Gain	Unipolar 10V Trim DAC6 Fine Gain
57h	Unipolar 5V Trim DAC6 Coarse Offset	Unipolar 5V Trim DAC6 Fine Offset
58h	Unipolar 5V Trim DAC6 Coarse Gain	Unipolar 5V Trim DAC6 Fine Gain
59h	Unipolar 2.5V Trim DAC6 Coarse Offset	Unipolar 2.5V Trim DAC6 Fine Offset
5Ah	Unipolar 2.5V Trim DAC6 Coarse Gain	Unipolar 2.5V Trim DAC6 Fine Gain
5Bh	Bipolar 10V Trim DAC7 Coarse Offset	Bipolar 10V Trim DAC7 Fine Offset
5Ch	Bipolar 10V Trim DAC7 Coarse Gain	Bipolar 10V Trim DAC7 Fine Gain
5Dh	Bipolar 5V Trim DAC7 Coarse Offset	Bipolar 5V Trim DAC7 Fine Offset
5Eh	Bipolar 5V Trim DAC7 Coarse Gain	Bipolar 5V Trim DAC7 Fine Gain
5Fh	Bipolar 2.5V Trim DAC7 Coarse Offset	Bipolar 2.5V Trim DAC7 Fine Offset
60h	Bipolar 2.5V Trim DAC7 Coarse Gain	Bipolar 2.5V Trim DAC7 Fine Gain
61h	Unipolar 10V Trim DAC7 Coarse Offset	Unipolar 10V Trim DAC7 Fine Offset
62h	Unipolar 10V Trim DAC7 Coarse Gain	Unipolar 10V Trim DAC7 Fine Gain
63h	Unipolar 5V Trim DAC7 Coarse Offset	Unipolar 5V Trim DAC7 Fine Offset
64h	Unipolar 5V Trim DAC7 Coarse Gain	Unipolar 5V Trim DAC7 Fine Gain
65h	Unipolar 2.5V Trim DAC7 Coarse Offset	Unipolar 2.5V Trim DAC7 Fine Offset
66h	Unipolar 2.5V Trim DAC7 Coarse Gain	Unipolar 2.5V Trim DAC7 Fine Gain

Table 3.0 (cont.) Calibration EEPROM Memory Map for Trim DACs

Read word programming sequence

1. Select the EEPROM by writing 127 (7Fh) to BADR3 + 6hex (D/A CALIBRATION REGISTER 2).
2. Write 01h to bit 0 of BADR3 + 4hex (D/A CALIBRATION REGISTER 1).
3. Write 01h to bit 0 of BADR3 + 4hex (D/A CALIBRATION REGISTER 1).
4. Write 00h to bit 0 of BADR3 + 4hex (D/A CALIBRATION REGISTER 1).
5. Write address bit 7 to bit 0 of BADR3 + 4hex (D/A CALIBRATION REGISTER 1).
6. Write address bit 6 to bit 0 of BADR3 + 4hex (D/A CALIBRATION REGISTER 1).
7. Write address bit 5 to bit 0 of BADR3 + 4hex (D/A CALIBRATION REGISTER 1).
8. Write address bit 4 to bit 0 of BADR3 + 4hex (D/A CALIBRATION REGISTER 1).
9. Write address bit 3 to bit 0 of BADR3 + 4hex (D/A CALIBRATION REGISTER 1).
10. Write address bit 2 to bit 0 of BADR3 + 4hex (D/A CALIBRATION REGISTER 1).
11. Write address bit 1 to bit 0 of BADR3 + 4hex (D/A CALIBRATION REGISTER 1).
12. Write address bit 0 to bit 0 of BADR3 + 4hex (D/A CALIBRATION REGISTER 1).
13. Read BADR3 + 4hex (D/A CALIBRATION REGISTER 1). Data bit 15 will be in register bit 7.
14. Read BADR3 + 4hex (D/A CALIBRATION REGISTER 1). Data bit 14 will be in register bit 7.
15. Read BADR3 + 4hex (D/A CALIBRATION REGISTER 1). Data bit 13 will be in register bit 7.
16. Read BADR3 + 4hex (D/A CALIBRATION REGISTER 1). Data bit 12 will be in register bit 7.
17. Read BADR3 + 4hex (D/A CALIBRATION REGISTER 1). Data bit 11 will be in register bit 7.
18. Read BADR3 + 4hex (D/A CALIBRATION REGISTER 1). Data bit 10 will be in register bit 7.
19. Read BADR3 + 4hex (D/A CALIBRATION REGISTER 1). Data bit 9 will be in register bit 7.
20. Read BADR3 + 4hex (D/A CALIBRATION REGISTER 1). Data bit 8 will be in register bit 7.
21. Read BADR3 + 4hex (D/A CALIBRATION REGISTER 1). Data bit 7 will be in register bit 7.
22. Read BADR3 + 4hex (D/A CALIBRATION REGISTER 1). Data bit 6 will be in register bit 7.
23. Read BADR3 + 4hex (D/A CALIBRATION REGISTER 1). Data bit 5 will be in register bit 7.
24. Read BADR3 + 4hex (D/A CALIBRATION REGISTER 1). Data bit 4 will be in register bit 7.
25. Read BADR3 + 4hex (D/A CALIBRATION REGISTER 1). Data bit 3 will be in register bit 7.
26. Read BADR3 + 4hex (D/A CALIBRATION REGISTER 1). Data bit 2 will be in register bit 7.
27. Read BADR3 + 4hex (D/A CALIBRATION REGISTER 1). Data bit 1 will be in register bit 7.
28. Read BADR3 + 4hex (D/A CALIBRATION REGISTER 1). Data bit 0 will be in register bit 7.
29. Deselect the EEPROM by writing 127 (7Eh) to BADR3 + 6hex (D/A CALIBRATION REGISTER 2).

Write enable programming sequence

1. Select the EEPROM by writing 127 (7Fh) to BADR3 + 6hex (D/A CALIBRATION REGISTER 2).
2. Write 01h to bit 0 of BADR3 + 4hex (D/A CALIBRATION REGISTER 1).
3. Write 00h to bit 0 of BADR1 + 4hex (D/A CALIBRATION REGISTER 1).
4. Write 00h to bit 0 of BADR3 + 4hex (D/A CALIBRATION REGISTER 1).
5. Write 01h to bit 0 of BADR3 + 4hex (D/A CALIBRATION REGISTER 1).
6. Write 01h to bit 0 of BADR3 + 4hex (D/A CALIBRATION REGISTER 1).
7. Write 01h to bit 0 of BADR3 + 4hex (D/A CALIBRATION REGISTER 1).
8. Write 01h to bit 0 of BADR3 + 4hex (D/A CALIBRATION REGISTER 1).
9. Write 01h to bit 0 of BADR3 + 4hex (D/A CALIBRATION REGISTER 1).
10. Write 01h to bit 0 of BADR3 + 4hex (D/A CALIBRATION REGISTER 1).
11. Write 01h to bit 0 of BADR3 + 4hex (D/A CALIBRATION REGISTER 1).
12. Write 01h to bit 0 of BADR3 + 4hex (D/A CALIBRATION REGISTER 1).
13. Deselect the EEPROM by writing 126 (7Eh) to BADR3 + 6hex (D/A CALIBRATION REGISTER 2).

Write word programming sequence

1. Select the EEPROM by writing 127 (7Fh) to BADR3 + 6hex (D/A CALIBRATION REGISTER 2).
2. Write 01h to bit 0 of BADR3 + 4hex (D/A CALIBRATION REGISTER 1).
3. Write 00h to bit 0 of BADR3 + 4hex (D/A CALIBRATION REGISTER 1).
4. Write 01h to bit 0 of BADR3 + 4hex (D/A CALIBRATION REGISTER 1).
5. Write address bit 7 to bit 0 of BADR3 + 4hex (D/A CALIBRATION REGISTER 1).
6. Write address bit 6 to bit 0 of BADR3 + 4hex (D/A CALIBRATION REGISTER 1).
7. Write address bit 5 to bit 0 of BADR3 + 4hex (D/A CALIBRATION REGISTER 1).
8. Write address bit 4 to bit 0 of BADR3 + 4hex (D/A CALIBRATION REGISTER 1).
9. Write address bit 3 to bit 0 of BADR3 + 4hex (D/A CALIBRATION REGISTER 1).
10. Write address bit 2 to bit 0 of BADR3 + 4hex (D/A CALIBRATION REGISTER 1).
11. Write address bit 1 to bit 0 of BADR3 + 4hex (D/A CALIBRATION REGISTER 1).
12. Write address bit 0 to bit 0 of BADR3 + 4hex (D/A CALIBRATION REGISTER 1).
13. Write data bit 15 to bit 0 of BADR3 + 4hex (D/A CALIBRATION REGISTER 1).
14. Write data bit 14 to bit 0 of BADR3 + 4hex (D/A CALIBRATION REGISTER 1).
15. Write data bit 13 to bit 0 of BADR3 + 4hex (D/A CALIBRATION REGISTER 1).

16. Write data bit 12 to bit 0 of BADR3 + 4hex (D/A CALIBRATION REGISTER 1).
17. Write data bit 11 to bit 0 of BADR3 + 4hex (D/A CALIBRATION REGISTER 1).
18. Write data bit 10 to bit 0 of BADR3 + 4hex (D/A CALIBRATION REGISTER 1).
19. Write data bit 9 to bit 0 of BADR3 + 4hex (D/A CALIBRATION REGISTER 1).
20. Write data bit 8 to bit 0 of BADR3 + 4hex (D/A CALIBRATION REGISTER 1).
21. Write data bit 7 to bit 0 of BADR3 + 4hex (D/A CALIBRATION REGISTER 1).
22. Write data bit 6 to bit 0 of BADR3 + 4hex (D/A CALIBRATION REGISTER 1).
23. Write data bit 5 to bit 0 of BADR3 + 4hex (D/A CALIBRATION REGISTER 1).
24. Write data bit 4 to bit 0 of BADR3 + 4hex (D/A CALIBRATION REGISTER 1).
25. Write data bit 3 to bit 0 of BADR3 + 4hex (D/A CALIBRATION REGISTER 1).
26. Write data bit 2 to bit 0 of BADR3 + 4hex (D/A CALIBRATION REGISTER 1).
27. Write data bit 1 to bit 0 of BADR3 + 4hex (D/A CALIBRATION REGISTER 1).
28. Write data bit 0 to bit 0 of BADR3 + 4hex (D/A CALIBRATION REGISTER 1).
29. Deselect the EEPROM by writing 126 (7Eh) to BADR3 + 6hex (D/A CALIBRATION REGISTER 2).
30. Delay 10 ms before selecting the EEPROM again.

SEL_542

This bit is the chip select for the 16 bit serial reference DAC. **It is active low and should be initialized to 1.** Make sure that the EEPROM and the trim DACs are not enabled at the same time as the reference DAC because they share common serial data and clock lines. The reference DAC is the MAX542 which is a 16-bit voltage output serial DAC. The reference voltage range is +/-10V (created by using the MAX542 in bipolar mode and amplifying its output with a x4 precision amplifier.) Data is clocked in and out on the rising edge of the serial clock. The decoding logic on the board drives the serial clock automatically so no additional programming is required. The calibration values for the reference DAC have been set at the factory and can be read from the EEPROM, see table 1 above.

Write word programming sequence

1. Select the MAX542 by writing 124 (7Ch) to BADR3 + 6hex (D/A CALIBRATION REGISTER 2).
2. Write data bit 15 to bit 0 of BADR3 + 4hex (D/A CALIBRATION REGISTER 1).
3. Write data bit 14 to bit 0 of BADR3 + 4hex (D/A CALIBRATION REGISTER 1).
4. Write data bit 13 to bit 0 of BADR3 + 4hex (D/A CALIBRATION REGISTER 1).
5. Write data bit 12 to bit 0 of BADR3 + 4hex (D/A CALIBRATION REGISTER 1).
6. Write data bit 11 to bit 0 of BADR3 + 4hex (D/A CALIBRATION REGISTER 1).
7. Write data bit 10 to bit 0 of BADR3 + 4hex (D/A CALIBRATION REGISTER 1).
8. Write data bit 9 to bit 0 of BADR3 + 4hex (D/A CALIBRATION REGISTER 1).
9. Write data bit 8 to bit 0 of BADR3 + 4hex (D/A CALIBRATION REGISTER 1).

10. Write data bit 7 to bit 0 of BADR3 + 4hex (D/A CALIBRATION REGISTER 1).
11. Write data bit 6 to bit 0 of BADR3 + 4hex (D/A CALIBRATION REGISTER 1).
12. Write data bit 5 to bit 0 of BADR3 + 4hex (D/A CALIBRATION REGISTER 1).
13. Write data bit 4 to bit 0 of BADR3 + 4hex (D/A CALIBRATION REGISTER 1).
14. Write data bit 3 to bit 0 of BADR3 + 4hex (D/A CALIBRATION REGISTER 1).
15. Write data bit 2 to bit 0 of BADR3 + 4hex (D/A CALIBRATION REGISTER 1).
16. Write data bit 1 to bit 0 of BADR3 + 4hex (D/A CALIBRATION REGISTER 1).
17. Write data bit 0 to bit 0 of BADR3 + 4hex (D/A CALIBRATION REGISTER 1).
18. Deselect the MAX542 by writing 126 (7Eh) to BADR3 + 6hex (D/A CALIBRATION REGISTER 2).

SEL8800_xy

These bits are the load_dac controls for the offset and gain Trim DACs, DAC8800s, which are 8 channel, 8-bit, voltage output, serial DACs. **They are active low and should be initialized to 1.** Make sure that the EEPROM and the reference DAC discussed above are not enabled at the same time as the trim DACs because they share common serial data and clock lines. Each DAC8800 is used for the calibration of two output DACs, xy. For example, bit 2, SEL8800_01, is the chip select for the DAC8800 that calibrates output DACs 0 and 1. There are course and fine adjust DAC outputs for both offset and gain error calibration (see table below). Data is clocked in on the rising edge of the serial clock. The decoding logic on the board drives the serial clock automatically so no additional programming is required.

Trim DAC Channel	Cal Function	A2	A1	A0
0	DACx Fine Gain	0	0	0
1	DACx Coarse Gain	0	0	1
2	DACx Coarse Offset	0	1	0
3	DACx Fine Offset	0	1	1
4	DACy Fine Gain	1	0	0
5	DACy Coarse Gain	1	0	1
6	DACy Coarse Offset	1	1	0
7	DACy Fine Offset	1	1	1

Write byte programming sequence

1. Write address bit A2 to bit 0 of BADR3 + 4hex (D/A CALIBRATION REGISTER 1). See table above for correct value of A2.
2. Write address bit A1 to bit 0 of BADR3 + 4hex (D/A CALIBRATION REGISTER 1). See table above for correct value of A1.
3. Write address bit A0 to bit 0 of BADR3 + 4hex (D/A CALIBRATION REGISTER 1). See table above for correct value of A0.
4. Write data bit 7 to bit 0 of BADR3 + 4hex (D/A CALIBRATION REGISTER 1).
5. Write data bit 6 to bit 0 of BADR3 + 4hex (D/A CALIBRATION REGISTER 1).
6. Write data bit 5 to bit 0 of BADR3 + 4hex (D/A CALIBRATION REGISTER 1).

7. Write data bit 4 to bit 0 of BADR3 + 4hex (D/A CALIBRATION REGISTER 1).
8. Write data bit 3 to bit 0 of BADR3 + 4hex (D/A CALIBRATION REGISTER 1).
9. Write data bit 2 to bit 0 of BADR3 + 4hex (D/A CALIBRATION REGISTER 1).
10. Write data bit 1 to bit 0 of BADR3 + 4hex (D/A CALIBRATION REGISTER 1).
11. Write data bit 0 to bit 0 of BADR3 + 4hex (D/A CALIBRATION REGISTER 1).
12. Assert the desired DAC8800s LDAC line by writing the correct value to BADR3 + 6hex (D/A CALIBRATION REGISTER 2).
13. Deassert the desired DAC8800s LDAC line by writing 126 (7Eh) to BADR3 + 6hex (D/A CALIBRATION REGISTER 2).

D/A 0 - D/A 7 DATA

The following 8 registers are the data registers for the eight 12-bit output DACs. D0 is the LSB. Writing to the register will automatically update the DAC output unless the simultaneous update bit is set for that DAC (see the D/A Control Register description for more information on simultaneous update.) The data format is mode dependent as shown below.

Bipolar Mode:

Offset Binary Coding
 000h = -FS
 800h = Mid Scale (0V)
 FFFh = +FS - 1LSB

Unipolar Mode:

Straight Binary Coding
 000h = -FS (0V)
 800h = Mid Scale (+FS/2)
 FFFh = +FS - 1LSB

D/A 0 DATA

BADR3 + 8hex

WRITE ONLY

15	14	13	12	11	10	9	8	7	6	5	4	3	2	1	0
X	X	X	X	D11	D10	D9	D8	D7	D6	D5	D4	D3	D2	D1	D0

D/A 1 DATA

BADR3 + 0Ahex

WRITE ONLY

15	14	13	12	11	10	9	8	7	6	5	4	3	2	1	0
X	X	X	X	D11	D10	D9	D8	D7	D6	D5	D4	D3	D2	D1	D0

D/A 2 DATA

BADR3 + 0Chex

WRITE ONLY

15	14	13	12	11	10	9	8	7	6	5	4	3	2	1	0
X	X	X	X	D11	D10	D9	D8	D7	D6	D5	D4	D3	D2	D1	D0

D/A 3 DATA
 BADR3 + 0Ehex

WRITE ONLY

15	14	13	12	11	10	9	8	7	6	5	4	3	2	1	0
X	X	X	X	D11	D10	D9	D8	D7	D6	D5	D4	D3	D2	D1	D0

D/A 4 DATA
 BADR3 + 10hex

WRITE ONLY

15	14	13	12	11	10	9	8	7	6	5	4	3	2	1	0
X	X	X	X	D11	D10	D9	D8	D7	D6	D5	D4	D3	D2	D1	D0

D/A 5 DATA
 BADR3 + 12hex

WRITE ONLY

15	14	13	12	11	10	9	8	7	6	5	4	3	2	1	0
X	X	X	X	D11	D10	D9	D8	D7	D6	D5	D4	D3	D2	D1	D0

D/A 6 DATA
 BADR3 + 14hex

WRITE ONLY

15	14	13	12	11	10	9	8	7	6	5	4	3	2	1	0
X	X	X	X	D11	D10	D9	D8	D7	D6	D5	D4	D3	D2	D1	D0

D/A 7 DATA
 BADR3 + 16hex

WRITE ONLY

15	14	13	12	11	10	9	8	7	6	5	4	3	2	1	0
X	X	X	X	D11	D10	D9	D8	D7	D6	D5	D4	D3	D2	D1	D0

8.0 Electrical Specifications

Typical for 25°C unless otherwise specified.

Analog Output

D/A converter type	AD7837B
Resolution	12 bits
Number of channels	
PCI-DDA08/12	8
PCI-DDA04/12	4
PCI-DDA02/12	2
Output Ranges	±10V, ±5V, ±2.5V, 0 - 10V, 0 - 5V, 0 - 2.5V. Each channel independently programmable.
Data transfer	Programmed I/O.
Offset error (calibrated)	±(300µV +1/4LSB)
Gain error (calibrated)	±(300µV +1/4LSB)
Differential non-linearity	±1LSB max
Integral non-linearity	±1LSB max
Monotonicity	12 bits
D/A Gain drift	±2 ppm/°C
D/A Offset drift	±5µV/°C
Throughput	PC dependent, software update
Settling time (20V step to ±1/2LSB)	6µs typ, 10µs max
Slew Rate	5V/µs
Current Drive	±5 mA
Output short-circuit duration	25 mA indefinite
Output coupling	DC
Output impedance	0.1 Ohms max
Miscellaneous	Double buffered output latches Update DACs individually or simultaneously (software selectable) Power up and reset, all DAC's cleared to 0 volts , ±210mV

Digital Input / Output

Digital Type (main connector)	8255 mode 0 emulation
Output:	74S244
Input:	74LS373
Configuration	4 banks of 8, 4 banks of 4, programmable by bank as input or output
Number of channels	48 I/O
Output High	2.4 volts min @ -15mA
Output Low	0.5 volts max @ 64 mA
Input High	2.0 volts min, 7 volts absolute max
Input Low	0.8 volts max, -0.5 volts absolute min
Power-up / reset state	Input mode (high impedance)

Power consumption

+5V Operating

PCI-DDA08/12	1.6A typical, 2.6A max
PCI-DDA04/12	1.5A typical, 2.4A max
PCI-DDA02/12	1.4A typical, 2.2A max

+12V

PCI-DDA08/12	24mA typical, 48mA max
PCI-DDA04/12	12mA typical, 24mA max
PCI-DDA02/12	6mA typical, 12mA max

-12V

PCI-DDA08/12	16mA typical, 25mA max
PCI-DDA04/12	8mA typical, 12mA max
PCI-DDA02/12	4mA typical, 6mA max

Environmental

Operating temperature range	0 to 70°C
Storage temperature range	-40 to 100°C
Humidity	0 to 90% non-condensing

EC Declaration of Conformity

<u>PCI-DDA0X/12</u> Part Number	<u>PCI bus analog output boards with 48-bits of digital I/O</u> Description
------------------------------------	--

to which this declaration relates, meets the essential requirements, is in conformity with, and CE marking has been applied according to the relevant EC Directives listed below using the relevant section of the following EC standards and other normative documents:

EU EMC Directive 89/336/EEC: Essential requirements relating to electromagnetic compatibility.

EU 55022 Class B: Limits and methods of measurements of radio interference characteristics of information technology equipment.

EN 50082-1: EC generic immunity requirements.

IEC 801-2: Electrostatic discharge requirements for industrial process measurement and control equipment.

IEC 801-3: Radiated electromagnetic field requirements for industrial process measurements and control equipment.

IEC 801-4: Electrically fast transients for industrial process measurement and control equipment.

Carl Haapaoja, Director of Quality Assurance

