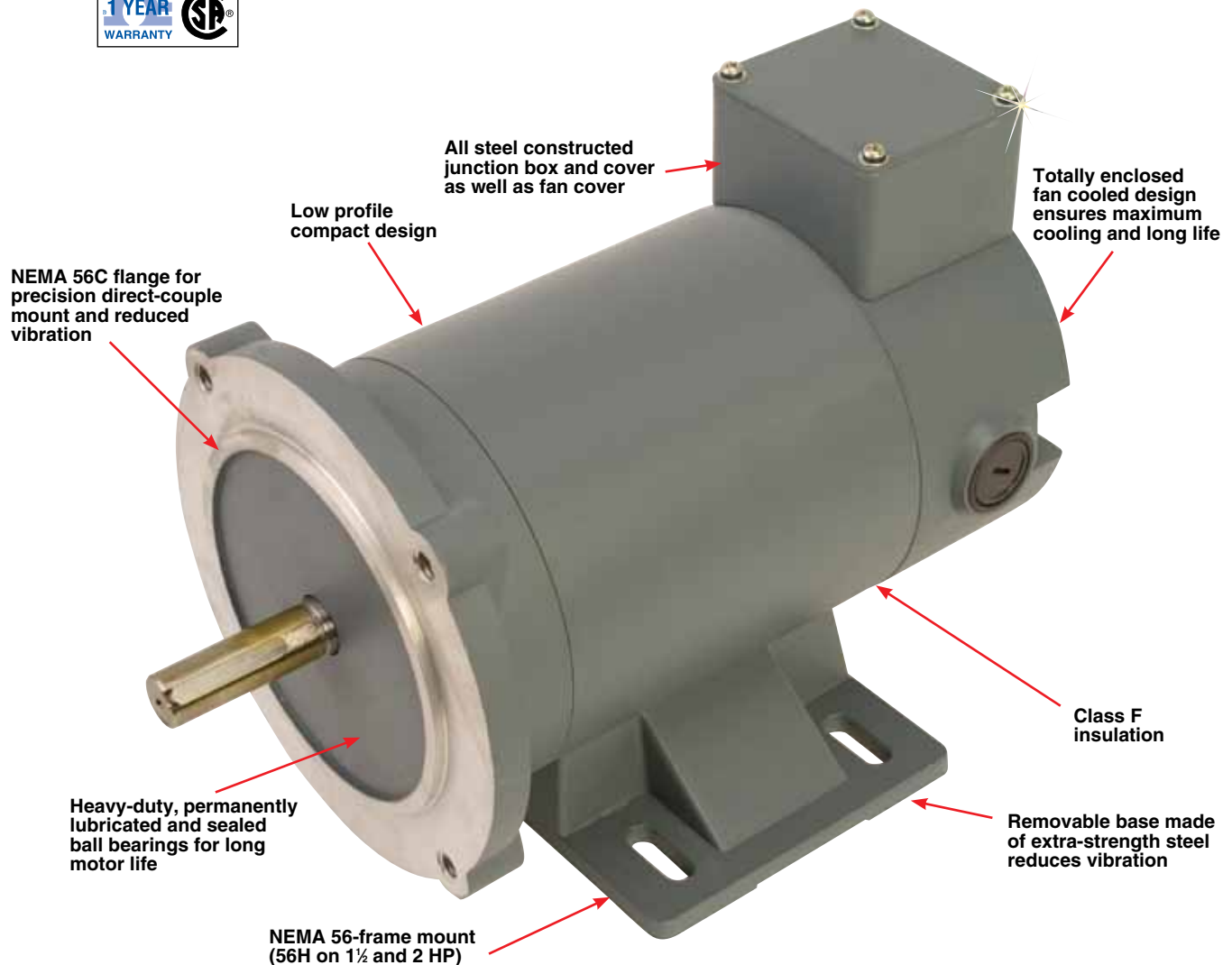


PERMANENT MAGNET DC MOTORS

NEMA 56C FRAME, 1/3 TO 2 HP

OMPM-DC Series



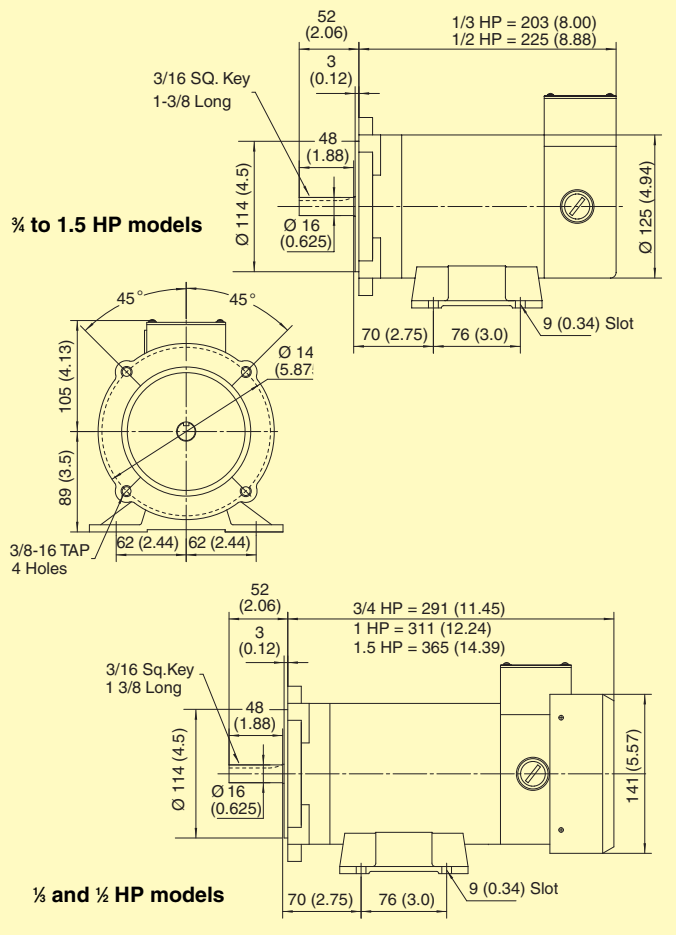
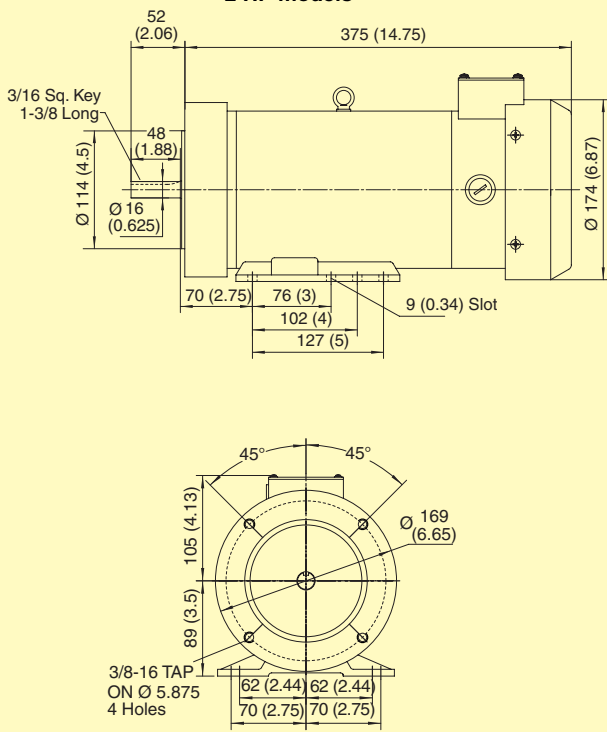
OMPMDC13-18-180V-56C
shown smaller than actual size.

- NEMA 56C Frame Size
- 1/3 to 2 HP, 1800 RPM
- 12, 24, 90 and 180 Control Voltage
- 20:1 Speed Range at Constant Torque
- High Starting Torque
- Permanently Lubricated Sealed Ball Bearings
- Removable Bolt-On/Bolt-Off Base
- TENV Enclosure (1/3-1/2 HP)
- TEFC Enclosure (3/4-2 HP)
- Class F Insulation
- 1.15 Service Factor

OMPM-DC Series permanent magnet DC motors are designed for long motor life with permanently lubricated ball bearings and are TEFC (totally enclosed fan cooled) or TENV (totally enclosed non-ventilated). All OPM-DC motors are constructed from heavy duty gauge steel including frames, endbells, mounting bases, junction boxes and covers. These DC motors are specifically designed for use with SCR controllers where applications require torque throughout the application and speed range, as well as adjustable speeds. The DC motor voltages available are 12, 24, 90 and 180 volt. All DC motors are NEMA 56C flange mounted and come with a removable base and a one year warranty.

Dimensions: mm (in)
 ø = diameter

2 HP models



To Order Visit omega.com/ompm-dc for Pricing and Details

MODEL NO.	VOLTAGE	H.P.	RPM	ARM AMPS*	ENCLOSURE	WEIGHT	TORQUE** (FT LBS)
OMPMD13-18-90V-56C	90	1/3	1800	3.5	TENV	23	0.9726
OMPMD13-18-180V-56C	180	1/3	1800	1.75	TENV	23	0.9726
OMPMD12-18-90V-56C	90	1/2	1800	5.2	TENV	25	1.4589
OMPMD12-18-180V-56C	180	1/2	1800	2.6	TENV	25	1.4589
OMPMD34-18-90V-56C	90	3/4	1800	7.8	TEFC	30	2.1883
OMPMD34-18-180V-56C	180	3/4	1800	3.9	TEFC	30	2.1883
OMPMD1-18-90V-56C	90	1	1800	10.4	TEFC	33	2.9178
OMPMD1-18-180V-56C	180	1	1800	5.2	TEFC	33	2.9178
OMPMD1.5-18-90V-56C	90	1.5	1800	15.4	TEFC	54	4.3767
OMPMD1.5-18-180V-56C	180	1.5	1800	7.7	TEFC	54	4.3767
OMPMD2-18-180V-56C	180	2	1800	9.8	TEFC	72	5.8356
OMPMD13-18-12V-56C	12	1/3	1800	26.4	TENV	23	0.9726
OMPMD13-18-24V-56C	24	1/3	1800	13.2	TENV	23	0.9726
OMPMD12-18-12V-56C	12	1/2	1800	40	TENV	25	1.4589
OMPMD12-18-24V-56C	24	1/2	1800	20	TENV	25	1.4589
OMPMD34-18-12V-56C	12	3/4	1800	61.2	TEFC	30	2.1883
OMPMD34-18-24V-56C	24	3/4	1800	30.6	TEFC	30	2.1883
OMPMD1-18-12V-56C	12	1	1800	82.2	TEFC	33	2.9178
OMPMD1-18-24V-56C	24	1	1800	41.1	TEFC	33	2.9178
OMPMD1.5-18-24V-56C	24	1.5	1800	62.5	TEFC	54	4.3767

* Armature Full Load Amps

** Torque rated at 1800 RPM (Torque = HP*5252/RPM)

Ordering Examples: OMPMD1.5-18-90V-56C, 90 Volt, 1.5 HP, 1800 RPM DC motor with maximum of 15.4 Arm Amps, NEMA 56C frame and mounting base.

OMPMD1.5-18-180V-56C, 180 Volt 1.5 HP 1800 RPM DC motor with maximum of 7.7 Arm Amps, NEMA 56C frame and mounting base.