

**1 YEAR**  
WARRANTY



# Ω OMEGA® User's Guide



**Shop online at  
*omega.com*®**

**e-mail: *info@omega.com***  
**For latest product manuals:  
*omegamannual.info***



MADE IN TAIWAN

## **HHUV254SD** **UVA and UVC Light Meter** **With Data Logging SD Card**



**OMEGAnet® Online Service**  
**omega.com**

**Internet e-mail**  
**info@omega.com**

### **Servicing North America:**

**U.S.A.:**  
ISO 9001 Certified  
Omega Engineering, Inc., One Omega Drive, P.O. Box 4047  
Stamford, CT 06907-0047  
Toll-Free: 1-800-826-6342  
FAX: (203) 359-7700  
Tel: (203) 359-1660  
e-mail: info@omega.com

**Canada:**  
976 Bergar  
Laval (Quebec), H7L 5A1 Canada  
Toll-Free: 1-800-826-6342  
FAX: (514) 856-6886  
TEL: (514) 856-6928  
e-mail: info@omega.ca

### **For immediate technical or application assistance:**

**U.S.A. and Canada:** Sales Service: 1-800-826-6342/1-800-TC-OMEGA®  
Customer Service: 1-800-622-2378/1-800-622-BEST®  
Engineering Service: 1-800-872-9436/1-800-USA-WHEN®

**Mexico**  
**Latin America**  
En Español: 001 (203) 359-7803  
info@omega.com.mx  
FAX: 001 (203) 359-7807  
e-mail: espanol@omega.com

### **Servicing Europe:**

**Benelux:**  
Managed by the United Kingdom Office  
Toll-Free: 0800 099 3344  
FAX: +31 20 643 46 43  
TEL: +31 20 347 21 21  
e-mail: sales@omegaeng.nl

**Czech Republic:**  
Frystatska 184  
733 01 Karviná, Czech Republic  
Toll-Free: 0800-1-66342  
FAX: +420-59-6311114  
TEL: +420-59-6311899  
e-mail: info@omegashop.cz

**France:**  
Managed by the United Kingdom Office  
Toll-Free: 0800 466 342  
FAX: +33 (0) 130 57 54 27  
TEL: +33 (0) 161 37 29 00  
e-mail: sales@omega.fr

**Germany/Austria:**  
Daimlerstrasse 26  
D-75392 Deckenpfronn, Germany  
Toll-Free: 0800 6397678  
FAX: +49 (0) 7056 9398-29  
TEL: +49 (0) 7056 9398-0  
e-mail: info@omega.de

**United Kingdom:**  
ISO 9001 Certified  
OMEGA Engineering Ltd.  
One Omega Drive, River Bend Technology Centre, Northbank  
Irlam, Manchester M44 5BD United Kingdom  
Toll-Free: 0800-488-488  
FAX: +44 (0) 161 777-6622  
TEL: +44 (0) 161 777-6611  
e-mail: sales@omega.co.uk

---

It is the policy of OMEGA Engineering, Inc. to comply with all worldwide safety and EMC/EMI regulations that apply. OMEGA is constantly pursuing certification of its products to the European New Approach Directives. OMEGA will add the CE mark to every appropriate device upon certification.

The information contained in this document is believed to be correct, but OMEGA accepts no liability for any errors it contains, and reserves the right to alter specifications without notice.

**WARNING:** These products are not designed for use in, and should not be used for, human applications.

# TABLE OF CONTENTS

<b>Introduction</b> .....	<b>3</b>
<b>Key Features</b> .....	<b>3</b>
<b>Operating Instructions</b> .....	<b>4 – 9</b>
<b>What’s in the case</b> .....	<b>4</b>
<b>Setup</b> .....	<b>5 – 6</b>
<b>Normal Operation</b> .....	<b>7</b>
<b>Holding and Storing Measurements.</b> .....	<b>8</b>
<b>Automatic vs. Manual Datalogging</b> .....	<b>8 – 9</b>
<b>Transferring Data from the SD Card     to a Computer</b> .....	<b>9</b>
<b>Specifications</b> .....	<b>10</b>
<b>Maintenance &amp; Troubleshooting Tips</b> .....	<b>10 – 11</b>
<b>Replacement Parts &amp; Optional Accessories</b> .....	<b>11</b>
<b>Warranty Information</b> .....	<b>11</b>
<b>Return for Repair Policy</b> .....	<b>11</b>

---

## INTRODUCTION

Thank you for purchasing General Tools & Instruments' HHUV254SD UVA and UVC Light Meter with Datalogging SD Card. Please read this user's manual carefully and thoroughly before using the instrument.

Many industrial and commercial applications require or can benefit from measurement of the intensity of UVA and/or UVC light. Among them are welding (to minimize exposure to "blue light" radiation), UV sterilization of food, photochemical matching, erasure of electrically programmable read-only memory (EPROM) chips, production of graphic arts products, exposure of photoresists, and curing of inks, adhesives and coatings.

The HHUV254SD has the performance and features needed to satisfy the most demanding aspects of these applications. For example, it combines the capabilities of UVA (black light in the long-wave 365-nm band) and UVC (short waves in the 254-nm band) measurement in one instrument. The meter also can measure surface temperature, if mated with a Type K or Type J thermocouple. A UVA probe and a UVC probe are supplied with the instrument.

Because it is microprocessor-based, the HHUV254SD can make full use of the portability, reliability and large storage capacities that SD memory cards offer. Measurements of light intensity or temperature can be made automatically at any of 11 sampling rates between one second and one hour. After time-stamping and storing the measurements on an SD card plugged into the instrument (a process called datalogging), the user can remove the card and transfer the measurements to a laptop or desktop computer either directly or via a USB card reader.

The HHUV254SD has a backlit 2-1/2 in. diagonal display and is powered by six "AA" Alkaline batteries or an optional 9-VDC AC adapter.

---

## KEY FEATURES

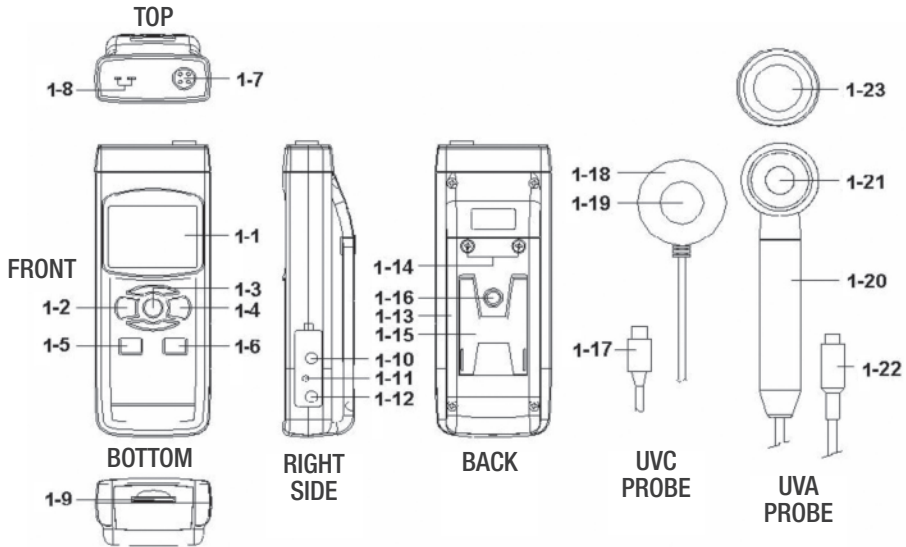
- Includes UVA and UVC probes
- Measures light intensity within two automatically switched full-scale ranges: 2 mW/cm<sup>2</sup> and 20 mW/cm<sup>2</sup>
- Displays maximum and minimum readings
- Performs real-time automatic datalogging at sampling time settable from 1 second to 1 hour
- Also supports manual logging and changing of card storage location
- Comes with 2 GB SD memory card, but works with cards up to 16 GB
- Big (2.5 in. diagonal) front-panel green backlit LCD is easy to read
- Auto power off function
- Powered by six "AA" batteries or 9V AC/DC adapter

# OPERATING INSTRUCTIONS

## WHAT'S IN THE CASE

The HHUV254SD comes fully assembled in a carrying case along with a UVA probe, a UVC probe, a 2 GB SD memory card and this user's manual.

Figure 1 shows all of the controls and indicators on the front, back, top, bottom and right side of the HHUV254SD. It also shows the main components of the supplied UVA and UVC probes. Familiarize yourself with their positions and functions before moving on to the setup procedure.



**Fig. 1. The controls and indicators** and other physical features of the HHUV254SD and its two supplied probes

- |  |                                       |
|--|---------------------------------------|
| 1-1 Liquid-crystal display                   | 1-12 Socket for 9VDC AC adapter       |
| 1-2 POWER/ESC button                         | 1-13 Battery compartment cover        |
| 1-3 FUNC./HOLD/NEXT button                   | 1-14 Battery compartment cover screws |
| 1-4 REC/ENTER button                         | 1-15 Kickstand                        |
| 1-5 SET ▼ button                             | 1-16 Tripod attachment nut            |
| 1-6 LOGGER ▲ button                          | 1-17 UVC probe plug                   |
| 1-7 Socket for UVA and UVC probes            | 1-18 UVC sensor housing               |
| 1-8 Socket for Type K or Type J thermocouple | 1-19 UVC sensor                       |
| 1-9 SD card socket                           | 1-20 UVA probe handle                 |
| 1-10 RS232 output jack                       | 1-21 UVA sensor                       |
| 1-11 RESET button                            | 1-22 UVA probe plug                   |
|  | 1-23 UVA sensor cap                   |

## SETUP

**1. Choose the power source.** Before using the HHUV254SD, be sure it is powered by fresh batteries or an optional 9VDC AC adapter plugged into the bottom jack on its right side (callout 1-12).

To remove the battery compartment cover, remove the two screws holding it in place (callout 1-14). Then install six “AA” batteries in the correct orientation, using the polarity marks on the inside of the compartment as a guide. Replace the cover by replacing the two screws.

**2. Install an SD card.** To prepare for setup, also install the supplied 2 GB SD memory card or another card with a capacity from 1 GB to 16 GB in the socket on the bottom of the HHUV254SD (callout 1-9). When installing the card, make sure its gold contacts are facing front and push the card into the socket until you hear a click. To remove the card, push it in until you hear a click and the card pops out.

Now power on the instrument by pressing the POWER/ESC button (callout 1-2) to generate a short beep. (To power off the HHUV254SD, press the POWER/ESC button and hold it until the instrument responds with a long beep.)

When the meter powers on, a series of transient startup screens will briefly appear. Once the display has stabilized, perform the following eight setup steps in the order presented.

**3. Set the date and time.** Press the SET ▼ button (callout 1-5) and hold it for at least five seconds, until “SEt dAtE” appears on the display. Quickly (within three seconds) press the REC/ENTER button. The word “dAtE” will appear in the center of the display, along with the flashing value “00.00.00” at the lower left, above “yy.mm.dd”.

(If you press buttons too slowly in setup mode, the screen will revert to the normal display. To return to the setup sequence, press and hold the SET ▼ button again. To move ahead to the next field in the sequence or to the next parameter, press the FUNC./HOLD/NEXT button (callout 1-3).)

Set the current year by pressing the SET ▼ or LOGGER ▲ button repeatedly until the correct value appears above “yy”. Quickly (within three seconds), press the REC/ENTER button to store the setting. The next screen that appears will have the value above “mm” flashing. Use the SET ▼ or LOGGER ▲ button to navigate to the current month and press the REC/ENTER button to store the setting. When the next screen flashes the value above “dd”, again use the SET ▼ or LOGGER ▲ button to navigate to the current day and press the REC/ENTER button to store the setting.

Once you have set the date, the display will prompt you to set the hour, minute and second of the current time. Again use the SET ▼ or LOGGER ▲ buttons to navigate to the correct values, and the REC/ENTER button to store the settings.

**4. Choose a period or a comma** to represent the decimal division between integers and fractions (for example, American-style 20.88 vs. European-style 20,88). Press the SET ▼ button to make “bASIC” (American style) or “Euro” appear in the upper display, as desired. Press the REC/ENTER button to store the selection.

- 5. Enable or disable auto power off.** Once the format of decimal divisions has been set and stored, the display will show the word “yES” over the term “PoFF”. Press the SET ▼ button until the desired automatic power off management scheme (“yES” for enable; “no” for disable) is displayed. Press the REC/ENTER button to store the selection. If enabled, the power off function shuts off the HHUV254SD after a period of inactivity of ten minutes.
- 6. Enable or disable the beeper.** Once the desired power management function has been set and stored, the display will show the word “yES” over the word “bEEP”. Press the SET ▼ button until the desired setting (“yES” or “no”) is displayed, and then press the REC/ENTER button to store the selection.
- 7. Select the thermocouple type.** Once the beeper has been enabled or disabled, the display will show the word “Set” over the word “type”. Press the SET ▼ button until your optional thermocouple’s type (K or J) appears on the right side of the display. Then press the REC/ENTER button to store the selection.
- 8. Select the temperature unit.** Once the thermocouple type has been set and stored, the lower part of the display will show the term “t-CF”. Press the SET ▼ or LOGGER ▲ button until the unit you prefer (“F” for Fahrenheit, “C” for Celsius) is displayed. Then press the REC/ENTER button to store the selection as the default.
- 9. Set the datalogging sampling time.** Once the thermocouple type has been selected and stored, the display will show a value above the letters “SP-t”. Press the SET ▼ or LOGGER ▲ button to decrease or increase the value until the desired sampling time appears above “SP-t”. The options are 0, 1, 2, 5, 10, 30, 60, 120, 300, 600, 1800 and 3600 seconds (0 seconds to 1 hour).
- 10. Format the SD card.** Once the sampling time has been set and stored, the term “Sd-F” will appear in the lower half of the display. Press the REC/ENTER button.

Pressing the REC/ENTER button causes the word “no” or “yES” to appear over the term “Sd-F”. Press the ▼ button to make a selection. Choose “yES” whenever a new SD card is being used, or when a used card is being repurposed (from use with another SD card instrument or a camera, for example) and all data on it is to be erased. Choose “no” to preserve any data on a card previously used with this instrument.

If you choose “yES”, after you press the REC/ENTER button the instrument will prompt you to confirm that decision by displaying the term “Ent” below “yES” and sounding three beeps. To confirm that you want to begin the erasure/formatting procedure, press the REC/ENTER button. “Ent” will then flash several times and the instrument will sound another three beeps to confirm that the SD card has been erased and formatted.

Once the SD card has been formatted (or not), the display will either return to the first of the eight steps in the setup sequence—setting the current date and time—or show the term “ESC”. If “ESC” appears, press the POWER/ESC button to exit the setup procedure and enter normal operating mode.

## **NORMAL OPERATION**

The UV254SD can measure and store three different kinds of values:

- The intensity (in  $\text{mW}/\text{cm}^2$ ) of UVA light
- The intensity (in  $\text{mW}/\text{cm}^2$ ) of UVC light
- Temperature (in  $^{\circ}\text{F}$  or  $^{\circ}\text{C}$ ), as sensed by a Type K or Type J thermocouple

Pressing and holding the FUNC./HOLD/NEXT button will bring up, in order, three blank five-digit displays above the terms “A” (for UVA light), “C” (for UVC light) and “tP” (for temperature). Each display also automatically shows the correct unit for the parameter.

**1. To select the measurement mode**, release the FUNC./HOLD/NEXT button when the desired parameter appears. This becomes the meter’s default measurement mode until you change it.

Whenever the HHUV254SD is in measurement mode, you can turn off the backlight (which is on by default) by briefly pressing (but not holding) the POWER/ESC button. To reactivate the backlight, briefly press the button again.

Whenever the meter is in measurement mode, you also can check the current date and time by briefly pressing the SET ▼ button. Doing so causes both values to appear briefly at the lower left of the display.

**2. To measure the intensity of UVA light**, seat the UVA probe (with its cap on) in the socket at the top of the UV254SD (callout 1-7) and use the FUNC.HOLD/NEXT button to select UVA measurement mode. If the display shows a value other than zero, press the LOGGER ▲ button (which has the word “Zero” stenciled above it) and hold it for at least three seconds until you hear a beep. Then remove the cap from the probe.

Holding the probe by its handle, point the sensor at its end directly at the light source. The display will read out the intensity of the source’s UVA light component in units of  $\text{mW}/\text{cm}^2$ .

**3. To measure the intensity of UVC light**, seat the UVC probe (with its cap on) in the socket at the top of the UV254SD and use the FUNC.HOLD/NEXT button to select UVC measurement mode. If the display shows a value other than zero, press the LOGGER ▲ button (which has the word “Zero” stenciled above it) and hold it for at least three seconds until you hear a beep. Then remove the cap from the probe.

Holding the probe by its handle, point the sensor at its end directly at the light source. The display will read out the intensity of the source’s UVC light component in units of  $\text{mW}/\text{cm}^2$ .

**4. To measure temperature**, first make sure neither the UVA nor the UVC probe is plugged into the instrument. Then use the FUNC.HOLD/NEXT button to select temperature measurement mode.

Obtain a Type K or Type J thermocouple and seat it in the socket (callout 1-8) on the top of the HHUV254SD. The display will read out the sensed temperature in degrees F or C, (depending on the setting chosen during setup), along with the type of thermocouple it is configured for.

To change the unit of measurement, press the SET ▼ button to enter setup mode and perform Step 8 of the setup procedure. To configure the meter for use with a Type J thermocouple (Type K is the default), press the SET ▼ button to enter setup mode and perform Step 7 of the setup procedure.



## **HOLDING AND STORING MEASUREMENTS**

- 1. To hold a measured value** of light intensity or temperature, press the FUNC./HOLD/NEXT button during the measurement. Doing so will cause the word “HOLD” to appear at the top of the display. Pressing the FUNC./HOLD/NEXT button again releases the hold.
- 2. To record and recall readings**, press the REC/ENTER button while making measurements. This will make the term “REC” appear at the top of the display. Pressing the REC/ENTER button again, briefly, will make the term “MAX” appear to the right of “REC” and switch the display to the maximum value stored in memory during the last recording session. Pressing the REC/ENTER button again, briefly, will make the term “MIN” appear to the right of “REC” and switch the display to the minimum value stored during the last session.
- 3. To exit recording mode**, press and hold the REC/ENTER button for at least three seconds, until the term “REC” disappears from the top line of the display. The display will then revert to showing the current reading.

## **AUTOMATIC VS. MANUAL DATALOGGING**

The HHUV254SD can automatically log data using any of 11 sampling times from 1 second to 1 hour. To view the sampling time for which the instrument was set up, press the LOGGER ▲ button once. To change the sampling time, press the SET ▼ button to enter setup mode and perform Step 9 of the setup procedure.

- 1. To start automatic datalogging**, press the REC/ENTER button once. The top line of the display will then show the term “REC”. Pressing the LOGGER ▲ button at this point will make REC flash and add the flashing term “LOGGER” at the top right of the display. This indicates that the instrument is currently storing measured values and their time stamps in memory.
- 2. To pause automatic datalogging**, press the LOGGER ▲ button once; this action makes the flashing term LOGGER disappear from the top right of the display and changes the term “REC” from flashing to constant. Pressing the LOGGER ▲ button again resumes automatic datalogging.
- 3. To end automatic datalogging**, press the REC/ENTER button and hold it for at least two seconds. This action causes the “REC” message to disappear.
- 4. To log data manually**, set the sampling time to zero using Step 9 of the setup procedure. Then press the REC/ENTER button once. The display will show the term “REC” on the top line, a value in the middle, and below it the letter “P” on the left and a number from 1 to 99 on the same line to the right. The number indicates the position on the SD card that will be used to store manually logged data.

Now press the LOGGER ▲ button. This will cause the beeper to sound and the term “LOGGER” to briefly appear at the upper right of the display. As in automatic datalogging mode, in this mode the instrument is storing measurements and their time stamps on the SD card.

In manual datalogging mode, however, measurements are being stored continuously (with a sampling time of zero), and their locations on the card can be changed.

- To change the storage location of manually logged data**, press the SET ▼ button once; this causes the “P” to disappear from the left side of the display and the value on its line to begin flashing. Once the flashing begins, you can use the SET ▼ and LOGGER ▲ buttons to change the flashing value to any number between 1 and 99. Once you have chosen the storage location, press the REC/ENTER button to save the setting. This causes the value to stop flashing and the “P” to return.
- To end manual datalogging**, press the REC/ENTER button and hold it for at least three seconds. This action causes the “REC” message to disappear from the top line of the display.

### TRANSFERRING DATA FROM THE SD CARD TO A COMPUTER

After automatic or manual datalogging of measurements, remove the SD card from the HHUV254SD and plug it into your computer either directly (if it has an SD card port) or through an SD card reader.

Because the files containing the time-stamped data logs have the extension .xls, they open in Microsoft’s Excel application. Figures 2 and 3 show two kinds of Excel presentations: a data-only screen and a graphics-only screen.

	A	B	C	D	E	F
1	Place	Date	Time	Value	Unit	
2		1	2009/12/11	09:55:56	2.37	UVA mW/cm2
3		2	2009/12/11	09:55:58	2.4	UVA mW/cm2
4		3	2009/12/11	09:56:00	2.38	UVA mW/cm2
5		4	2009/12/11	09:56:02	3.29	UVA mW/cm2
6		5	2009/12/11	09:56:04	3.74	UVA mW/cm2
7		6	2009/12/11	09:56:06	3.89	UVA mW/cm2
8		7	2009/12/11	09:56:08	3.14	UVA mW/cm2
9		8	2009/12/11	09:56:10	2.23	UVA mW/cm2
10		9	2009/12/11	09:56:12	0.953	UVA mW/cm2
11		10	2009/12/11	09:56:14	1.011	UVA mW/cm2
12		11	2009/12/11	09:56:16	0.981	UVA mW/cm2
13		12	2009/12/11	09:56:18	0.673	UVA mW/cm2
14		13	2009/12/11	09:56:20	0.892	UVA mW/cm2
15		14	2009/12/11	09:56:22	2.16	UVA mW/cm2
16		15	2009/12/11	09:56:24	3.55	UVA mW/cm2
17		16	2009/12/11	09:56:26	3.97	UVA mW/cm2
18		17	2009/12/11	09:56:28	3.94	UVA mW/cm2
19		18	2009/12/11	09:56:30	3.94	UVA mW/cm2
20		19	2009/12/11	09:56:32	3.94	UVA mW/cm2
21		20	2009/12/11	09:56:34	3.95	UVA mW/cm2

Fig. 2. Typical Excel data-only screen

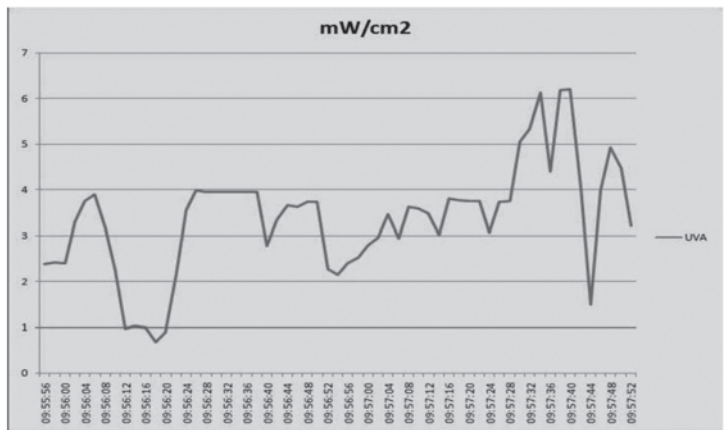


Fig. 3. Typical Excel graphics-only screen

---


## SPECIFICATIONS

Embedded microcontroller	Custom one-chip LSI device
Display type	Liquid-crystal with green backlight
Display size	2.05 x 1.5 in. (52 x 38mm)
UV light types measured	UVA, UVC
Measurement range	240nm to 390nm
Measurement accuracy	±4% of full-scale reading + 2 digits
Full-scale autoranges	2 mW/cm <sup>2</sup> and 20 mW/ cm <sup>2</sup>
Stored readings	Maximum, minimum
Datalogging sampling times	1 second to 1 hour (automatic mode)
SD card capacity	1 GB to 16 GB
Settable parameters	Date, time, auto power off, beep sound, temperature unit (°F or °C), sampling time, thermocouple type (K or J), decimal point or comma
Operating temperature	32° to 122°F (0° to 50°C)
Operating relative humidity	0 to 85%
Power source	6 Alkaline “AA” batteries or optional 9-VDC AC adapter
Power consumption	6.5 mADC (normal operation, with backlight off and SD card not saving data; 30 mADC with backlight on)
Dimensions of meter	6.97 x 2.68 x 1.77 in. (177 x 68 x 45mm)
Weight of meter	12.38 oz. (351g)
Dimensions of UVA probe head	1.77 in. (diagonal) x 1.26 in. (L) (45 x 32mm)
Dimensions of UVA probe handle	0.94 in. (diagonal) x 4.92 in. (L) (24 x 125mm)
Weight of UVA probe	3.53 oz. (100g)
Dimensions of UVC probe	1.50 (diagonal) x 0.98 in. (L) (38 x 25mm)
Weight of UVC probe	3.63 oz. (103g)

---

## MAINTENANCE & TROUBLESHOOTING TIPS

Keep the UV light probes clean and their sensors under their protective covers when not in use.

When the icon  appears in the left corner of the display, it's time to replace the six “AA” batteries that power the instrument (although measurements will remain valid for several hours after the low-battery indicator first appears). Replacing the batteries requires removing the two screws that hold the battery compartment cover in place, as explained in Step 1 of the setup procedure on page 5. After inserting fresh batteries in the correct orientation, tighten the screws to secure the cover.

If the meter “freezes” (like a computer) and buttons become unresponsive, try resetting the instrument by pushing the RESET button on its right side (callout 1-11 of Fig. 1) with the end of a paper clip.

Remove the batteries when storing this product for an extended period of time.

Do not drop or disassemble the instrument or immerse it in water.

## WARRANTY/DISCLAIMER

OMEGA ENGINEERING, INC. warrants this unit to be free of defects in materials and workmanship for a period of **13 months** from date of purchase. OMEGA's WARRANTY adds an additional one (1) month grace period to the normal **one (1) year product warranty** to cover handling and shipping time. This ensures that OMEGA's customers receive maximum coverage on each product.

If the unit malfunctions, it must be returned to the factory for evaluation. OMEGA's Customer Service Department will issue an Authorized Return (AR) number immediately upon phone or written request. Upon examination by OMEGA, if the unit is found to be defective, it will be repaired or replaced at no charge. OMEGA's WARRANTY does not apply to defects resulting from any action of the purchaser, including but not limited to mishandling, improper interfacing, operation outside of design limits, improper repair, or unauthorized modification. This WARRANTY is VOID if the unit shows evidence of having been tampered with or shows evidence of having been damaged as a result of excessive corrosion; or current, heat, moisture or vibration; improper specification; misapplication; misuse or other operating conditions outside of OMEGA's control. Components in which wear is not warranted, include but are not limited to contact points, fuses, and triacs.

**OMEGA is pleased to offer suggestions on the use of its various products. However, OMEGA neither assumes responsibility for any omissions or errors nor assumes liability for any damages that result from the use of its products in accordance with information provided by OMEGA, either verbal or written. OMEGA warrants only that the parts manufactured by the company will be as specified and free of defects. OMEGA MAKES NO OTHER WARRANTIES OR REPRESENTATIONS OF ANY KIND WHATSOEVER, EXPRESSED OR IMPLIED, EXCEPT THAT OF TITLE, AND ALL IMPLIED WARRANTIES INCLUDING ANY WARRANTY OF MERCHANTABILITY AND FITNESS FOR A PARTICULAR PURPOSE ARE HEREBY DISCLAIMED. LIMITATION OF LIABILITY: The remedies of purchaser set forth herein are exclusive, and the total liability of OMEGA with respect to this order, whether based on contract, warranty, negligence, indemnification, strict liability or otherwise, shall not exceed the purchase price of the component upon which liability is based. In no event shall OMEGA be liable for consequential, incidental or special damages.**

CONDITIONS: Equipment sold by OMEGA is not intended to be used, nor shall it be used: (1) as a "Basic Component" under 10 CFR 21 (NRC), used in or with any nuclear installation or activity; or (2) in medical applications or used on humans. Should any Product(s) be used in or with any nuclear installation or activity, medical application, used on humans, or misused in any way, OMEGA assumes no responsibility as set forth in our basic WARRANTY/DISCLAIMER language, and, additionally, purchaser will indemnify OMEGA and hold OMEGA harmless from any liability or damage whatsoever arising out of the use of the Product(s) in such a manner.

## RETURN REQUESTS/INQUIRIES

Direct all warranty and repair requests/inquiries to the OMEGA Customer Service Department. BEFORE RETURNING ANY PRODUCT(S) TO OMEGA, PURCHASER MUST OBTAIN AN AUTHORIZED RETURN (AR) NUMBER FROM OMEGA'S CUSTOMER SERVICE DEPARTMENT (IN ORDER TO AVOID PROCESSING DELAYS). The assigned AR number should then be marked on the outside of the return package and on any correspondence.

The purchaser is responsible for shipping charges, freight, insurance and proper packaging to prevent breakage in transit.

FOR **WARRANTY** RETURNS, please have the following information available BEFORE contacting OMEGA:

1. Purchase Order number under which the product was PURCHASED,
2. Model and serial number of the product under warranty, and
3. Repair instructions and/or specific problems relative to the product.

FOR **NON-WARRANTY** REPAIRS, consult OMEGA for current repair charges. Have the following information available BEFORE contacting OMEGA:

1. Purchase Order number to cover the COST of the repair,
2. Model and serial number of the product, and
3. Repair instructions and/or specific problems relative to the product.

OMEGA's policy is to make running changes, not model changes, whenever an improvement is possible. This affords our customers the latest in technology and engineering.

OMEGA is a registered trademark of OMEGA ENGINEERING, INC.

© Copyright 2011 OMEGA ENGINEERING, INC. All rights reserved. This document may not be copied, photocopied, reproduced, translated, or reduced to any electronic medium or machine-readable form, in whole or in part, without the prior written consent of OMEGA ENGINEERING, INC.

# Where Do I Find Everything I Need for Process Measurement and Control? **OMEGA...Of Course!** *Shop online at [omega.com](http://omega.com)<sup>SM</sup>*

## **TEMPERATURE**

- ☑ Thermocouple, RTD & Thermistor Probes, Connectors, Panels & Assemblies
- ☑ Wire: Thermocouple, RTD & Thermistor
- ☑ Calibrators & Ice Point References
- ☑ Recorders, Controllers & Process Monitors
- ☑ Infrared Pyrometers

## **PRESSURE, STRAIN AND FORCE**

- ☑ Transducers & Strain Gages
- ☑ Load Cells & Pressure Gages
- ☑ Displacement Transducers
- ☑ Instrumentation & Accessories

## **FLOW/LEVEL**

- ☑ Rotameters, Gas Mass Flowmeters & Flow Computers
- ☑ Air Velocity Indicators
- ☑ Turbine/Paddlewheel Systems
- ☑ Totalizers & Batch Controllers

## **pH/CONDUCTIVITY**

- ☑ pH Electrodes, Testers & Accessories
- ☑ Benchtop/Laboratory Meters
- ☑ Controllers, Calibrators, Simulators & Pumps
- ☑ Industrial pH & Conductivity Equipment

## **DATA ACQUISITION**

- ☑ Data Acquisition & Engineering Software
- ☑ Communications-Based Acquisition Systems
- ☑ Plug-in Cards for Apple, IBM & Compatibles
- ☑ Data Logging Systems
- ☑ Recorders, Printers & Plotters

## **HEATERS**

- ☑ Heating Cable
- ☑ Cartridge & Strip Heaters
- ☑ Immersion & Band Heaters
- ☑ Flexible Heaters
- ☑ Laboratory Heaters

## **ENVIRONMENTAL MONITORING AND CONTROL**

- ☑ Metering & Control Instrumentation
- ☑ Refractometers
- ☑ Pumps & Tubing
- ☑ Air, Soil & Water Monitors
- ☑ Industrial Water & Wastewater Treatment
- ☑ pH, Conductivity & Dissolved Oxygen Instruments